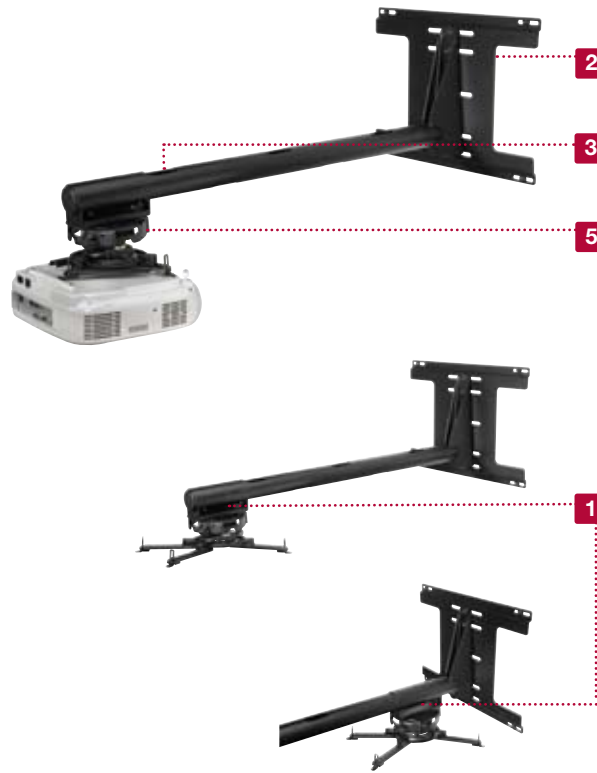


Ultra-Short Throw Projector Mount

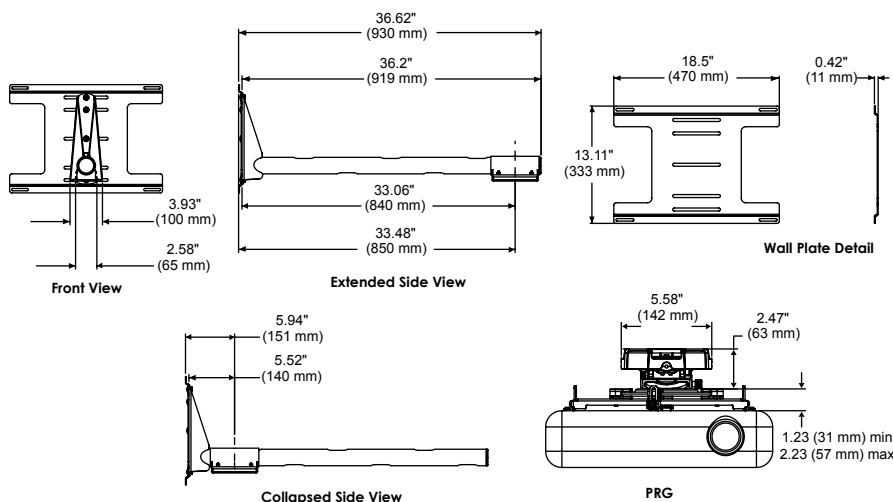
For Projectors up to 50 lb (22 kg)

1. Sliding carriage design allows projector mount to glide from 0"-28" (0-711 mm) to accommodate all ultra-short throw projectors
2. Double stud wall plate allows for 6" (152 mm) of lateral adjustment for precise alignment of the ultra-short throw projector
3. Access slots allow for all internal cable management
4. Pre-installed security screws lockdown short throw arm and prevent tampering
5. Kitted with Peerless' Universal Precision Gear Projector Mount (PRG-UNV)



For expanded product information and technical data visit www.peerlessmounts.com

TECHNICAL DRAWINGS



MODELS

Universal Models:

Includes theft resistant hardware for attaching screen to mount

PSTA-028	Black
PSTA-028-W	White
PSTK-028	Black with wall plate
PSTK-028-W	White with wall plate

PROJECTOR ADAPTER



Mounting pattern

Universal Models: Up to 17.63" (448 mm)

SPECIFICATIONS



Distance from wall

0"-28" (0-711 mm)



Tilt | Swivel | Roll

±20° | ±15° | ±10°



Max load

50 lb (22 kg)

Product Dimensions

(W x H x D)

PSTA-028(-W): 3.93" x 11" x 36.20"
(100 x 279 x 919 mm)

PSTK-028(-W): 18.50" x 13.11" x 36.62"
(470 x 333 x 930 mm)

Mounting Surfaces

Wood stud, concrete, cinder block and metal stud
(Metal stud accessory required)

Ship Weight

PSTA-028(-W): 12.24 lb (5.5 kg)

PSTK-028(-W): 16.26 lb (7.3 kg)

CERTIFICATIONS



RoHS
2002/95/EC

ACCESSORIES



WBK100:
Throw Back-up Double Stud
Wall Plate..... pg# 125

To verify mount compatibility with any LCD, plasma or projector model use MountFinder™ at www.peerlessmounts.com



CLICK: www.peerlessmounts.com



CALL: 800.865.2112



FAX: 708.865.2941