

Flat Panel TV Cart

For 32" to 60" LCD and Plasma Screens



1. Incremental tilt of -2°, 0° and +5° locks in the ideal viewing angle
2. Continuous vertical adjustment for perfect viewing height
3. Maneuvers easily on 4" (101 mm) swivel casters (two locking)
4. Adjustable metal or tempered glass shelf holds A/V components and accessories
5. Internal cable management for clean, clutter-free appearance

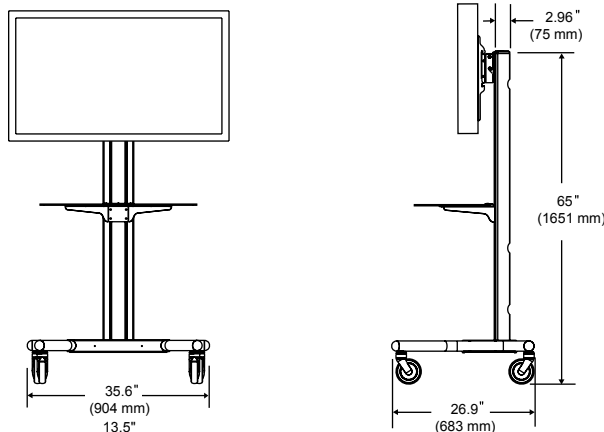


Dedicated Models



For expanded product information and technical data visit www.peerlessmounts.com

TECHNICAL DRAWINGS



MODELS

Universal Models:

Includes theft resistant hardware for attaching screen to mount

SR560M	Black cart with metal shelf
SR560G	Black cart with glass shelf

Dedicated Models:

Includes theft resistant hardware for attaching screen to mount
 Screen adapter purchased separately*

SR1M	Black cart with metal shelf
SR1G	Black cart with glass shelf

* Dedicated adapter plates come in flat black and include security fasteners

SCREEN ADAPTER



Mounting pattern

Universal Models: 28.7" W x 17.05" H
(729 x 433 mm)

Dedicated Models: Requires screen-specific adapter to be purchased separately

SPECIFICATIONS



Tilt

+5°, -2°, 0°



Max load

250 lb (113 kg)
 150 lb (68 kg) per screen
 50 lb (22 kg) per shelf

Product Dimensions (W x H x D)

35.6" x 65" x 26.9"
(904 x 1651 x 683 mm)

Ship Weight

SR560M:	87.3 lb (38.5 kg)
SR560G:	88.8 lb (40.2 kg)
SR1M:	76.8 lb (34.8 kg)
SR1G:	78.3 lb (35.5 kg)

CERTIFICATIONS



ACCESSORIES



ACC310:
Feet Accessory..... pg# 131



ACC313:
Metal Shelf..... pg# 131



ACC314:
Laptop Arm..... pg# 131



ACC315:
Base Shelf..... pg# 131



ACC316:
Safety Belt..... pg# 132



ACC318:
Tempered Glass Shelf..... pg# 131



ACC319:
Video Conferencing Shelf..... pg# 131



ACC320:
Electrical Outlet Strip with Cord Wrap..... pg# 131

To verify mount compatibility with any LCD, plasma or projector model use MountFinder™ at www.peerlessmounts.com

CLICK: www.peerlessmounts.com

CALL: 800.865.2112

FAX: 708.865.2941