

Screen-specific Flat Wall Mount

For up to 71" Flat Panel Screens



1. Measures 1.18" (30 mm) from wall, plus thickness of adapter plate
2. Horizontal screen adjustment up to 8" (203 mm)
3. Easy-glide design ensures screen is securely attached to wall plate
4. Choose from 16" (406 mm) only or 16"-24" (406-610 mm) stud center wall plate
5. Fits any screen-specific PLP or LC adapter plate
6. Model SF16D ships with 19.25" (489 mm) wide wall plate, perfect for portrait style installations



SF24D



SF16D

MODELS

Dedicated Models:

Includes theft resistant hardware for attaching screen to mount
Screen adapter purchased separately*

SF16D	Black	for up to 16" studs
SF24D	Black	for up to 24" studs

* Dedicated adapter plates come in flat black and include security fasteners

SCREEN ADAPTER

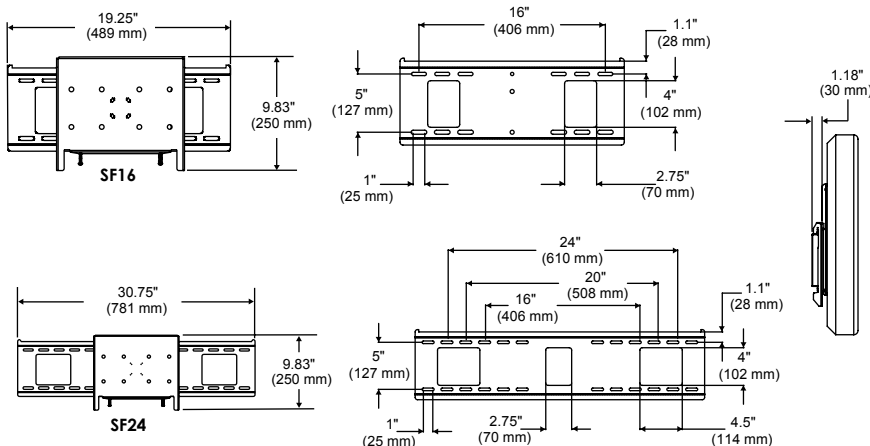
Dedicated Models: Requires screen-specific PLP or LC adapter to be purchased separately

SPECIFICATIONS

	Distance from wall	1.18" (30 mm)
	Max load	200 lb (90 kg)
Product Dimensions	(W x H x D)	
SF16D:	19.25" x 9.83" x 1.18" (489 x 250 x 30 mm)	
SF24D:	30.75" x 9.83" x 1.18" (781 x 250 x 30 mm)	
Mounting Surfaces	Wood stud, concrete, cinder block and metal stud (Metal stud accessory required)	
Ship Weight		
SF16D:	7.4 lb (3.4 kg)	
SF24D:	9.3 lb (4.2 kg)	

For expanded product information and technical data visit www.peerlessmounts.com

TECHNICAL DRAWINGS



CERTIFICATIONS



ACCESSORIES



ACC415:
4-pack Metal Stud
Fastener Kit pg# 130

To verify mount compatibility with any LCD, plasma or projector model use MountFinder™ at www.peerlessmounts.com



CLICK: www.peerlessmounts.com



CALL: 800.865.2112



FAX: 708.865.2941