



Universal Ultra Slim Tilt Wall Mount

For 22" to 40" Ultra-thin Flat Panel Screens

MODELS

Universal Models:

Includes standard hardware (hex or Phillips) for attaching screen to mount

SUT632P* Gloss black

* Designed for use with screens that are less than 2" (51 mm) deep

SCREEN ADAPTER

VESA® pattern

Universal Models: 75, 100, 200 x 100 and 200 x 200 mm

SPECIFICATIONS

Distance from wall
0.68"-3.88" (17-98 mm)

Tilt
+15/-5°

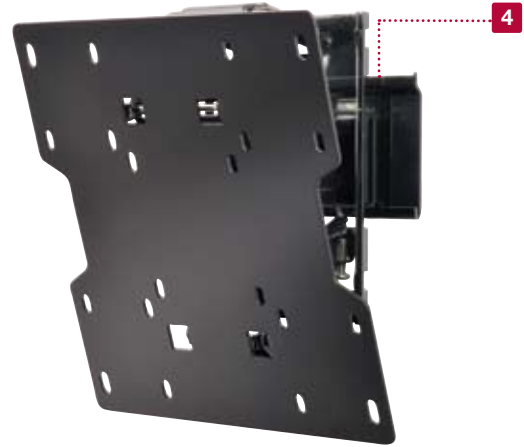
Max load
60 lb (27 kg)

Product Dimensions (W x H x D)
8.75" x 9.35" x 0.68"
(222 x 237 x 17 mm)

Mounting Surfaces
Wood stud, concrete, cinder block and metal stud
(Metal stud accessory required)

Ship Weight
4 lb (1.8 kg)

1. Holds screen 0.68" (17 mm) from the wall
2. Screen extended up to 3.88" (98 mm) from the wall allowing for hand-free installation access to the back of the screen
3. Full motion tilt allow for +15/-5°
4. Screen adapter simply hooks on to wall plate for quick and easy installation



Screen Mounting Requirements

1. Designed for use with screens that are less than 2" (51 mm) deep.
2. The depth of this mount (0.68" (17 mm)) may not provide sufficient space for proper heat ventilation on some screens. Refer to the manufacturer's requirements for mounting the screen before installation.
3. The screen must have a flat mounting surface, or mounting holes need to be on the furthest back surface of the screen.

CERTIFICATIONS



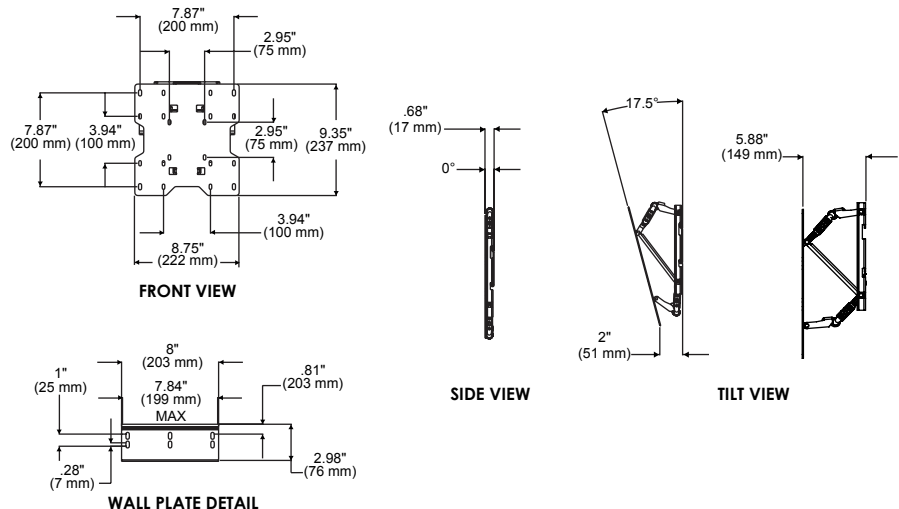
ACCESSORIES



ACC215:
2-pack Metal Stud
Fastener Kit pg# 130

TECHNICAL DRAWINGS

For expanded product information and technical data visit www.peerlessmounts.com



To verify mount compatibility with any LCD, plasma or projector model use MountFinder™ at www.peerlessmounts.com



CLICK: www.peerlessmounts.com



CALL: 800.865.2112



FAX: 708.865.2941