

Universal Tilt Wall Mount

For 23" to 46" Flat Panel Screens

MODELS

Universal Models:

Includes standard hardware (hex or Phillips) for attaching screen to mount

PT640 Gloss black

SCREEN ADAPTER



Mounting pattern

Universal Models: 17.54" W x 12.94" H
(446 x 329mm)

Many 42" Plasma TVs have mounting hole patterns larger than dimensions above. Use MountFinder™ to verify mount compatibility.



VESA® pattern

Universal Models: Up to 400 x 300mm

SPECIFICATIONS



Distance from wall

2.57" (65mm)



Tilt

+15/-5°



Max load

150lb (68kg)

Product Dimensions (W x H x D)

21.66" x 13.75" x 2.57"
(550 x 349 x 65mm)

Mounting Surfaces

Wood stud, concrete, cinder block and metal stud
(Metal stud accessory required)

Ship Weight

8lb (3.6kg)

CERTIFICATIONS



ACCESSORIES

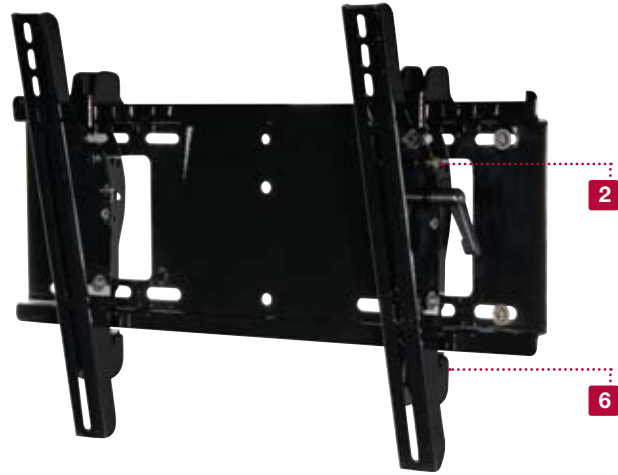


ACC925:
Security Fasteners pg# 156



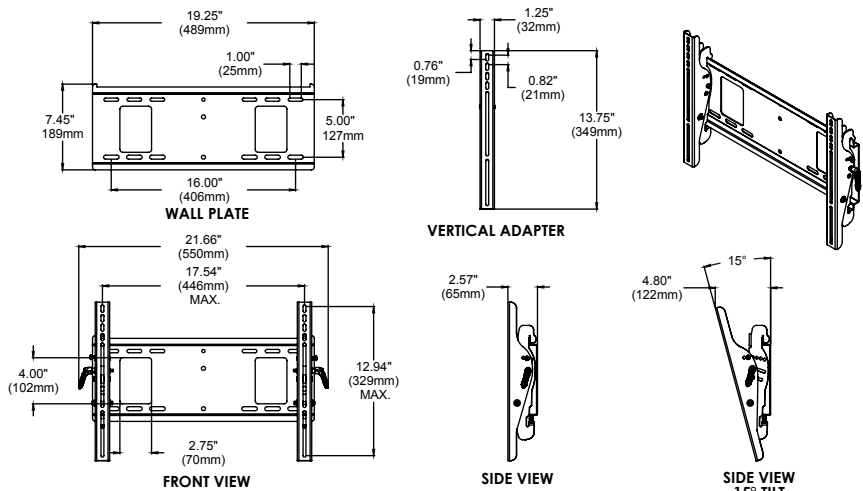
ACC415:
4-pack Metal Stud
Fastener Kit pg# 154

1. One touch tilt allows adjustment of +15/-5°
2. Optional tilt lock in 5° increments
3. Wall plate knockouts provide additional wall access for improved power and cable management
4. Horizontal screen adjustment up to 6" (152mm) for better screen placement
5. Universal screen adapters easily hook onto wall plate for a quick installation
6. Easy-glide design ensures screen is properly attached to the wall plate



TECHNICAL DRAWINGS

For expanded product information and technical data visit www.peerlessmounts.com



To verify mount compatibility with any LCD, plasma or projector model use MountFinder™ at www.peerlessmounts.com



CLICK: www.peerlessmounts.com



CALL: 800.865.2112



FAX: 800.359.6500