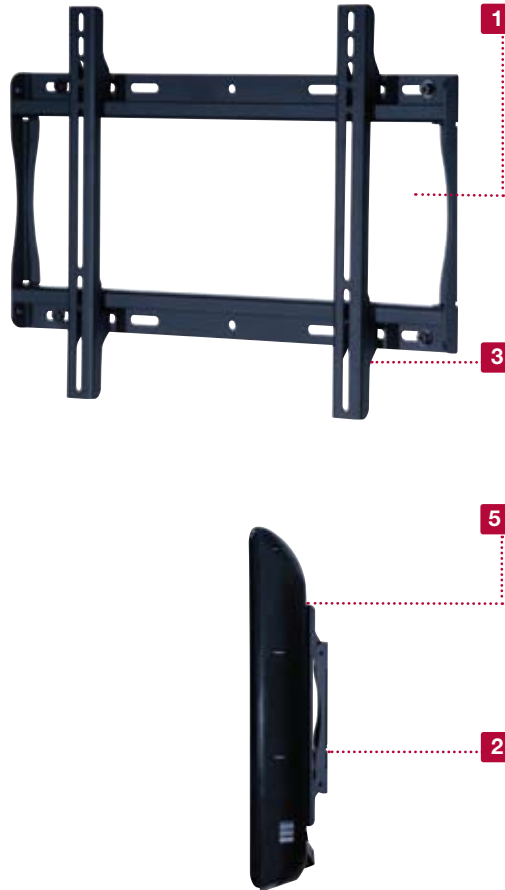


# SmartMount® Universal Flat Wall Mount

For 23" to 46" (58-117 cm) LCD Screens

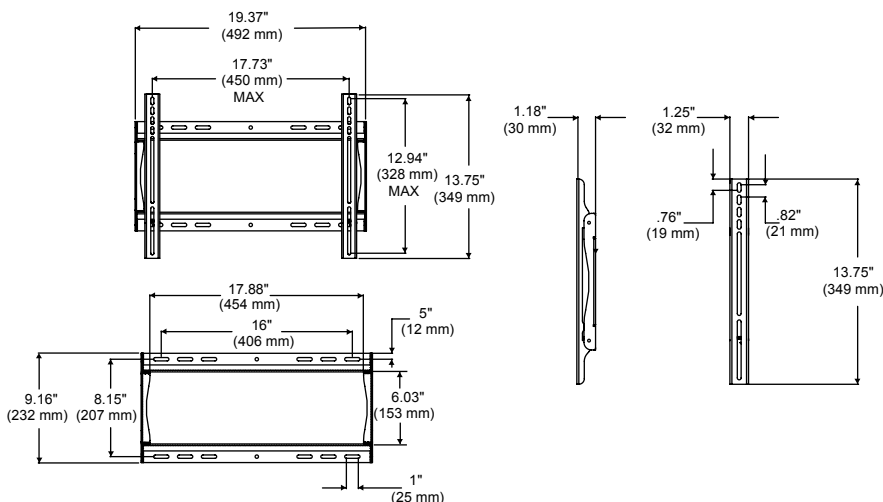


1. Open wall plate design allows for total wall access, increasing electrical and cable management options
2. Low-profile design holds screen only 1.18" (30 mm) from the wall
3. Easy-glide bracket design ensures screen is securely attached to wall plate
4. Horizontal screen adjustment up to 6" (152 mm) for centering screen on wall
5. Universal screen adapters easily hook onto wall plate for fast installation
6. Fits screens with mounting hole patterns up to 17.73"W and 12.94"H (450 x 328 mm)



For expanded product information and technical data visit [www.peerlessmounts.com](http://www.peerlessmounts.com)

## TECHNICAL DRAWINGS



## MODELS

### Universal Models:

Includes theft resistant hardware for attaching screen to mount

<b>SF640</b>	Black
<b>SF640-S</b>	Silver

Includes standard hardware (hex or Phillips) for attaching screen to mount

<b>SF640P</b>	Black
<b>SF640P-S</b>	Silver

## SCREEN ADAPTER



### Mounting pattern

Universal Models: 17.73" W x 12.94" H (450 x 328 mm)

Many 42" (106 cm) plasmas have mounting hole patterns larger than dimensions above. Use MountFinder™ to verify mount compatibility.



### VESA® pattern

Universal Models: Up to 400 x 200 mm

## SPECIFICATIONS



### Distance from wall

1.18" (30 mm)



### Max load

150 lb (68 kg)

### Product Dimensions

(W x H x D)

19.37" x 13.75" x 1.18"  
(492 x 349 x 30 mm)

### Mounting Surfaces

Wood stud, concrete, cinder block and metal stud  
(Metal stud accessory required)

### Ship Weight

5.7 lb (2.58 kg)

## CERTIFICATIONS



## ACCESSORIES



**ACC415:**  
4-pack Metal Stud Fastener Kit ..... pg# 126



**ACC309:**  
Video Conference Shelf ..... pg# 110

To verify mount compatibility with any LCD, plasma or projector model use MountFinder™ at [www.peerlessmounts.com](http://www.peerlessmounts.com)



CLICK: [www.peerlessmounts.com](http://www.peerlessmounts.com)



CALL: 800.865.2112



FAX: 708.865.2941