

# SmartMount® Universal Tilt Wall Mount

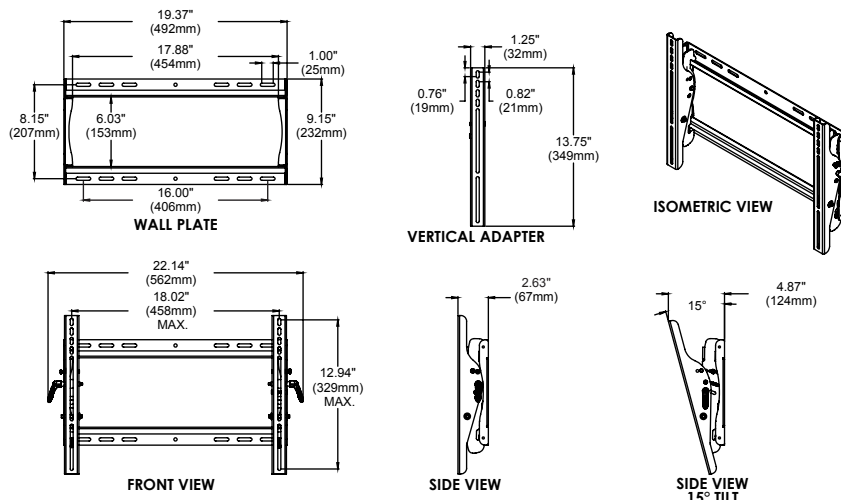
For 23" to 46" Flat Panel Displays

1. Open wall plate design allows for total wall access, increasing electrical and cable management options
2. Optional tilt lock in 5° increments
3. Easy-grip ratcheting handle locks angle into place
4. Pre-tensioned universal tilt adapters allow for +15/-5° tilt adjustment in one easy motion
5. Horizontal display adjustment up to 6" (152mm)
6. Universal display adapters easily hook onto wall plate for fast installation
7. Fits displays with mounting hole patterns up to 458 x 329mm (18.02"W x 12.94"H)



For expanded product information and technical data visit [www.peerlessmounts.com](http://www.peerlessmounts.com)

## TECHNICAL DRAWINGS



## MODELS

### Universal Models:

Includes theft resistant hardware for attaching display to mount

<b>ST640</b>	Black
<b>ST640-S</b>	Silver

Includes standard hardware (hex or Phillips) for attaching display to mount

<b>ST640P</b>	Black
<b>ST640P-S</b>	Silver

## DISPLAY ADAPTER



### Mounting pattern

Universal Models: 458 x 329mm (18.02"W x 12.94"H)

Many 42" plasmas have mounting hole patterns larger than dimensions above. Use MountFinder™ to verify mount compatibility.



### VESA® pattern

Universal Models: Up to 400 x 300mm

## SPECIFICATIONS



### Distance from wall

2.63"-4.87" (67-124mm)



### Tilt

+15/-5°



### Max load

150lb (68kg)

### Product Dimensions

(W x H x D)

22.14" x 13.75" x 2.63"-4.87"  
(562 x 349 x 67-124mm)

### Mounting Surfaces

Wood stud, concrete, cinder block and metal stud  
(Metal stud accessory required)

### Ship Weight

8.5lb (3.85kg)

## CERTIFICATIONS



RoHS

MADE IN USA

## ACCESSORIES



**ACC415:**  
4-pack Metal Stud Fastener Kit ..... pg# 154



**ACC309:**  
Video Conference Shelf ..... pg# 129

To verify mount compatibility with any flat panel display or projector model use MountFinder™ at [www.peerlessmounts.com](http://www.peerlessmounts.com)



CLICK: [www.peerlessmounts.com](http://www.peerlessmounts.com)



CALL: 800.865.2112



FAX: 800.359.6500