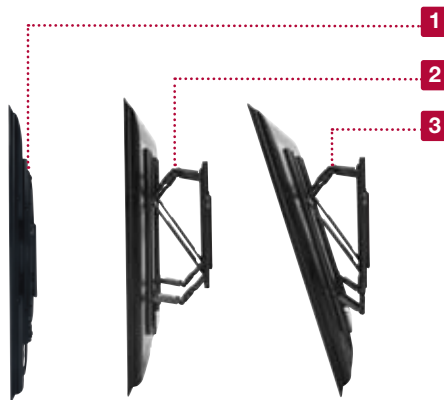
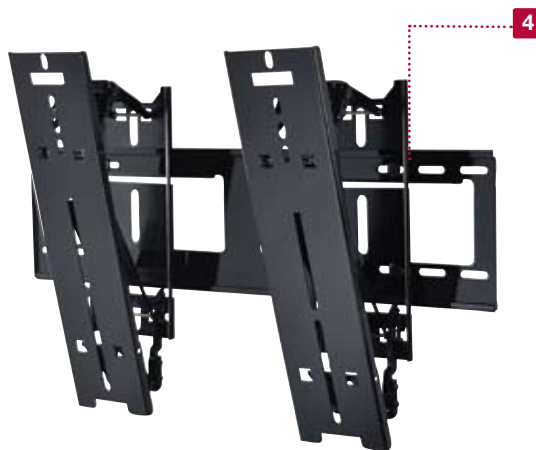


Universal Ultra Slim Tilt Wall Mount

For 32" to 46" Ultra-thin Flat Panel Screens



1. Holds screen 0.68" (17 mm) from the wall
2. Screen extended up to 5.88" (149 mm) from the wall allowing for hands-free installation access to the back of the screen
3. Full motion tilt allows for +17.5/-5°
4. Screen adapters simply hook on to wall plate for quick and easy installation
5. Horizontal adjustment up to 8" (203 mm)



Screen Mounting Requirements

1. Designed for use with screens that are less than 2" (51 mm) deep.
2. The depth of this mount (0.68" (17 mm)) may not provide sufficient space for proper heat ventilation on some screens. Refer to the manufacturer's requirements for mounting the screen before installation.
3. The screen must have a flat mounting surface, or mounting holes need to be on the furthest back surface of the screen.

MODELS

Universal Models:

Includes standard hardware (hex or Phillips) for attaching screen to mount

SUT645P* Gloss black

* Designed for use with screens that are less than 2" (51 mm) deep

SCREEN ADAPTER



Mounting pattern

Universal Models: 23.75" W x 16.06" H
(603 x 408 mm)

SPECIFICATIONS



Distance from wall

0.68"-5.88" (17-149 mm)



Tilt

+17.5/-5°



Max load

100 lb (45 kg)

Product Dimensions

(W x H x D)

29" x 17.25" x 0.68"
(736 x 438 x 17 mm)

Mounting Surfaces

Wood stud, concrete, cinder block and metal stud
(Metal stud accessory required)

Ship Weight

11 lb (5 kg)

CERTIFICATIONS



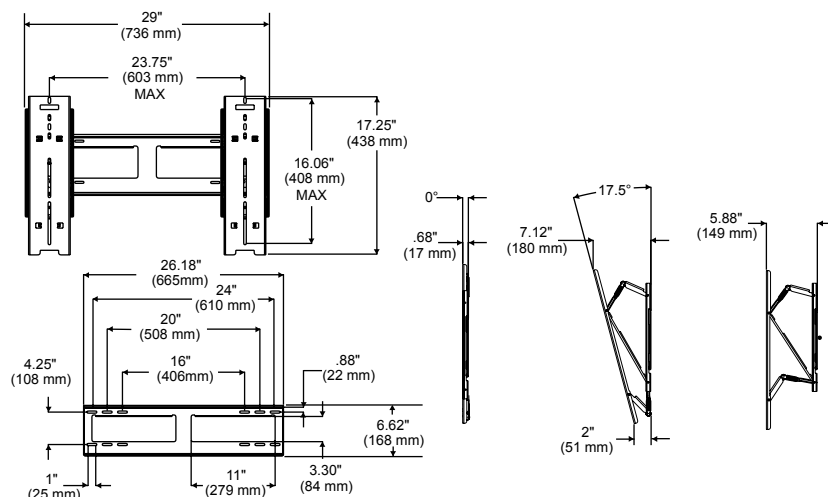
ACCESSORIES



ACC415:
4-pack Metal Stud
Fastener Kit pg# 130

For expanded product information and technical data visit www.peerlessmounts.com

TECHNICAL DRAWINGS



To verify mount compatibility with any LCD, plasma or projector model use MountFinder™ at www.peerlessmounts.com

CLICK: www.peerlessmounts.com

CALL: 800.865.2112

FAX: 708.865.2941