

# Universal Ultra Slim Flat Wall Mount

For 32" to 56" Ultra-thin Flat Panel Screens

1. Ultra slim design holds screens only 0.33" (8 mm) from the wall
2. Industrial strength Velcro® latching system holds screen in place against the wall plate preventing accidental bump-off or horizontal adjustment
3. Easy three-step installation, mount the wall plate, attach screen adapters to screen, hang screen
4. Horizontal screen adjustment up to 8" (203 mm)
5. Universal screen adapters easily hook onto wall plate for fast installation
6. Fits screens with mounting hole patterns up to 29.23"W and 17.67"H (742 x 449 mm)

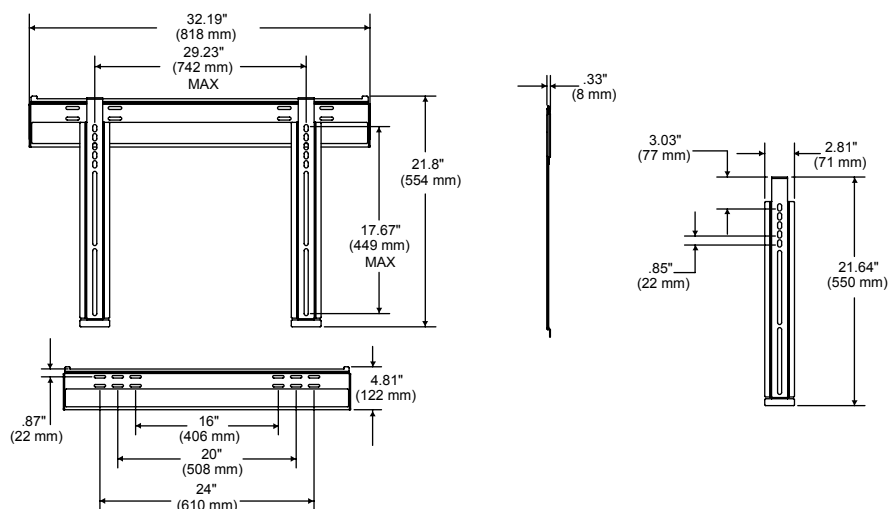


### Screen Mounting Requirements

1. Designed for use with screens that are less than 2" (51 mm) deep.
2. The depth of this mount (0.33" (8 mm)) may not provide sufficient space for proper ventilation on some screens. Refer to the manufacturer's requirements for mounting the screen before installation.
3. The screen must have a flat mounting surface, or mounting holes need to be on the furthest back surface of the screen.
4. Input/output connection must be properly orientated to accommodate mounting 0.33" (8 mm) from the wall.

For expanded product information and technical data visit [www.peerlessmounts.com](http://www.peerlessmounts.com)

## TECHNICAL DRAWINGS



## MODELS

### Universal Models:

Includes standard hardware (hex or Phillips) for attaching screen to mount

**SUF650P\*** Gloss black

\* Designed for use with screens that are less than 2" (51 mm) deep

## SCREEN ADAPTER



### Mounting pattern

Universal Models: 29.23" W x 17.67" H (742 x 449 mm)



### VESA® pattern

Universal Models: Up to 600 x 400 mm

## SPECIFICATIONS



### Distance from wall

0.33" (8 mm)



### Max load

150 lb (68 kg)

### Product Dimensions (W x H x D)

32.19" x 21.8" x 0.33" (818 x 554 x 8 mm)

### Mounting Surfaces

Wood stud, concrete, cinder block and metal stud (Metal stud accessory required)

### Ship Weight

7.6 lb (3.44 kg)

## CERTIFICATIONS



## ACCESSORIES



**ACC415:**  
4-pack Metal Stud Fastener Kit ..... pg# 130



**IBA1:**  
In-wall Accessories Box ..... pg# 130

To verify mount compatibility with any LCD, plasma or projector model use MountFinder™ at [www.peerlessmounts.com](http://www.peerlessmounts.com)



CLICK: [www.peerlessmounts.com](http://www.peerlessmounts.com)



CALL: 800.865.2112



FAX: 708.865.2941