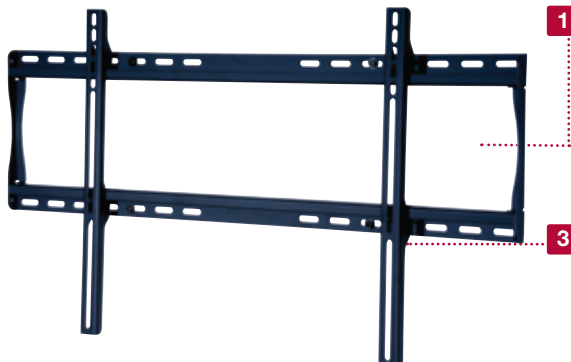


SmartMount® Universal Flat Wall Mount

For 37" to 63" Flat Panel Screens

1. Open wall plate design allows for total wall access increasing electrical and cable management options
2. Includes two sets of screen adapters: Shallow adapters keep screen 1.25" (32 mm) from wall. Deep adapters provide 1.7" (43 mm) of room for plugs and extra ventilation
3. Easy-glide design ensures screen is securely attached to wall plate
4. Horizontal screen adjustment up to 8" (203 mm) for centering screen on wall
5. Universal screen adapters easily hook onto wall plate for fast installation
6. Fits screens with mounting hole patterns up to 32.48"W and 17.05"H (825 x 433 mm), including VESA® 800 x 400 mm



MODELS

Universal Models:

Includes theft resistant hardware for attaching screen to mount

SF660	Black
SF660-S	Silver

Includes standard hardware (hex or Phillips) for attaching screen to mount

SF660P	Black
SF660P-S	Silver

SCREEN ADAPTER



Mounting pattern

Universal Models: 32.48" W x 17.05" H (825 x 433 mm)



VESA® pattern

Universal Models: Up to 800 x 400 mm

SPECIFICATIONS



Distance from wall

1.25" (32 mm)



Max load

200 lb (90 kg)

Product Dimensions

(W x H x D)

34.12" x 18" x 1.25"
(867 x 457 x 32 mm)

Mounting Surfaces

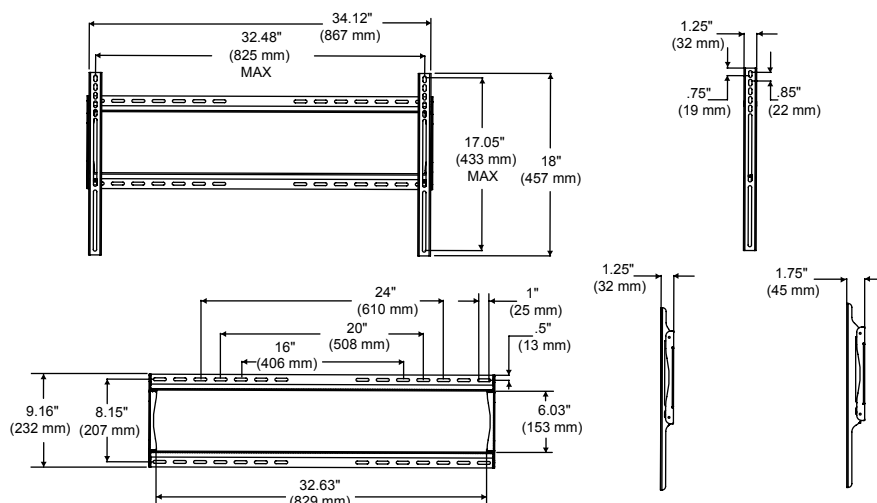
Wood stud, concrete, cinder block and metal stud (Metal stud accessory required)

Ship Weight

9.4 lb (4.26 kg)

For expanded product information and technical data visit www.peerlessmounts.com

TECHNICAL DRAWINGS



CERTIFICATIONS



ACCESSORIES



ACC415:
4-pack Metal Stud Fastener Kit pg# 130



ACC309:
Video Conference Shelf pg# 115

To verify mount compatibility with any LCD, plasma or projector model use MountFinder™ at www.peerlessmounts.com



CLICK: www.peerlessmounts.com



CALL: 800.865.2112



FAX: 708.865.2941