



Universal Ultra Slim Flat Wall Mount

For 37" to 65" Ultra-thin Flat Panel Screens

MODELS

Universal Models:

Includes standard hardware (hex or Phillips) for attaching screen to mount

SUF660P* Gloss black

* Designed for use with screens that are less than 2" (51 mm) deep

SCREEN ADAPTER



Mounting pattern

Universal Models: 32.48" W x 17.67" H
(825 x 449 mm)



VESA® pattern

Universal Models: Up to 800 x 400 mm

SPECIFICATIONS



Distance from wall

0.33" (8 mm)



Max load

150 lb (68 kg)

Product Dimensions

(W x H x D)

35.44" x 21.8" x 0.33"
(900 x 554 x 8 mm)

Mounting Surfaces

Wood stud, concrete, cinder block and metal stud
(Metal stud accessory required)

Ship Weight

7.8 lb (3.53 kg)

CERTIFICATIONS



ACCESSORIES



ACC415:
4-pack Metal Stud
Fastener Kit pg# 130



ACC615:
6-pack Metal Stud
Fastener Kit pg# 130



IBA1:
In-wall Accessories Box pg# 130

1. Ultra slim design holds screens only 0.33" (8 mm) from the wall
2. Industrial strength Velcro® latching system holds screen in place against the wall plate preventing accidental bump-off or horizontal adjustment
3. Easy three-step installation, mount the wall plate, attach screen adapters to screen, hang screen
4. Horizontal screen adjustment up to 8" (203 mm)
5. Universal screen adapters easily hook onto wall plate for fast installation
6. Fits screens with mounting hole patterns up to 32.48"W and 17.67"H (825 x 449 mm)

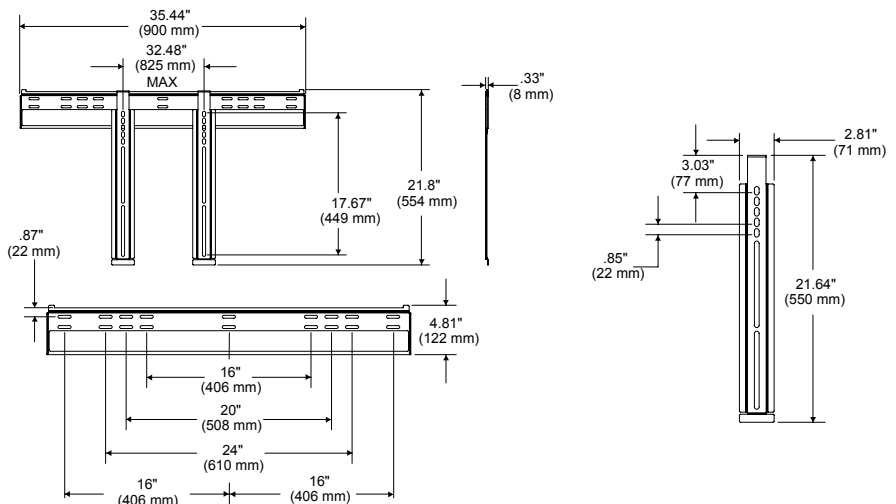


Screen Mounting Requirements

1. Designed for use with screens that are less than 2" (51 mm) deep.
2. The depth of this mount (0.33" (8 mm)) may not provide sufficient space for proper ventilation on some screens. Refer to the manufacturer's requirements for mounting the screen before installation.
3. The screen must have a flat mounting surface, or mounting holes need to be on the furthest back surface of the screen.
4. Input/output connection must be properly orientated to accommodate mounting 0.33" (8 mm) from the wall.

TECHNICAL DRAWINGS

For expanded product information and technical data visit www.peerlessmounts.com



To verify mount compatibility with any LCD, plasma or projector model use MountFinder™ at www.peerlessmounts.com



CLICK: www.peerlessmounts.com



CALL: 800.865.2112



FAX: 708.865.2941