



# Universal Ultra Slim Tilt Wall Mount

For 37" to 60" Ultra-thin Flat Panel Screens

## MODELS

### Universal Models:

Includes standard hardware (hex or Phillips) for attaching screen to mount

**SUT660P\*** Gloss black

\* Designed for use with screens that are less than 2" (51 mm) deep

## SCREEN ADAPTER



### Mounting pattern

Universal Models: 31.53" W x 16.06" H  
(801 x 408 mm)

## SPECIFICATIONS



### Distance from wall

0.68"-5.88" (17-149 mm)



### Tilt

+17.5/-5°



### Max load

100 lb (45 kg)

### Product Dimensions

(W x H x D)

36.43" x 17.25" x 0.68"  
(925 x 438 x 17 mm)

### Mounting Surfaces

Wood stud, concrete, cinder block and metal stud  
(Metal stud accessory required)

### Ship Weight

11.5 lb (5.2 kg)

## CERTIFICATIONS

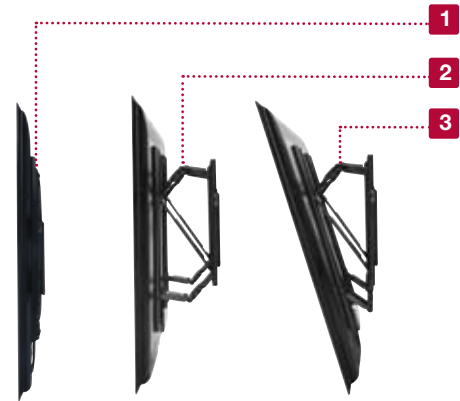
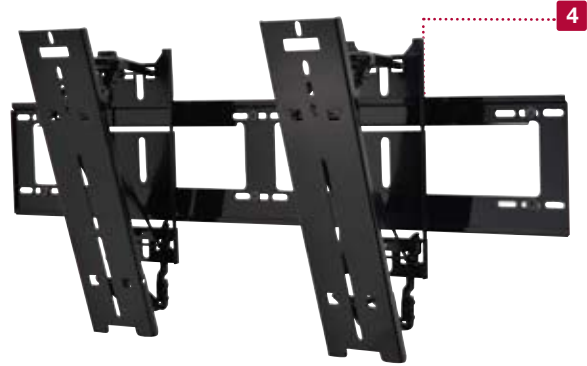


## ACCESSORIES



**ACC615:**  
6-pack Metal Stud  
Fastener Kit ..... pg# 130

1. Holds screen 0.68" (17 mm) from the wall
2. Screen extended up to 5.5" (140 mm) from the wall allowing for hands-free installation access to the back of the screen
3. Full motion tilt allows for +17.5/-5°
4. Screen adapters simply hook on to wall plate for quick and easy installation
5. Horizontal adjustment up to 8" (203 mm)

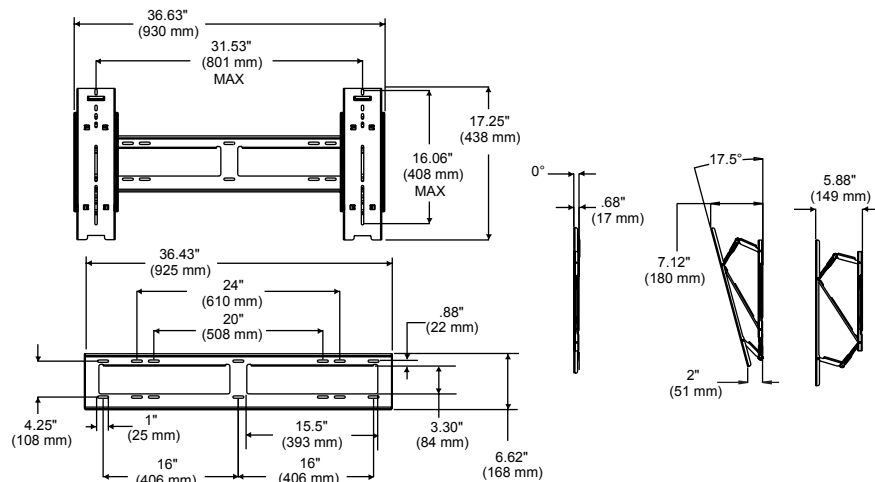


### Screen Mounting Requirements

1. Designed for use with screens that are less than 2" (51 mm) deep.
2. The depth of this mount (0.68" (17 mm)) may not provide sufficient space for proper heat ventilation on some screens. Please refer to the manufacturer's requirements for mounting the screen before installation.
3. The screen must have a flat mounting surface, or mounting holes need to be on the furthest back surface of the screen.

## TECHNICAL DRAWINGS

For expanded product information and technical data visit [www.peerlessmounts.com](http://www.peerlessmounts.com)



To verify mount compatibility with any LCD, plasma or projector model use MountFinder™ at [www.peerlessmounts.com](http://www.peerlessmounts.com)



CLICK: [www.peerlessmounts.com](http://www.peerlessmounts.com)



CALL: 800.865.2112



FAX: 708.865.2941