

SmartMount® Universal Tilt Wall Mount

For 42" to 71" Flat Panel Screens

MODELS

Universal Models:

Includes theft resistant hardware for attaching screen to mount

ST670 Black
ST670-S Silver

Includes standard hardware (hex or Phillips) for attaching screen to mount

ST670P Black
ST670P-S Silver

SCREEN ADAPTER



Mounting pattern

Universal Models: 36" W x 20" H
(915 x 503 mm)

SPECIFICATIONS



Distance from wall

3.04" (77 mm)



Tilt

+15/-5°



Max load

250 lb (113 kg)

Product Dimensions (W x H x D)

37.75" x 20.62" x 3.04"
(959 x 524 x 77 mm)

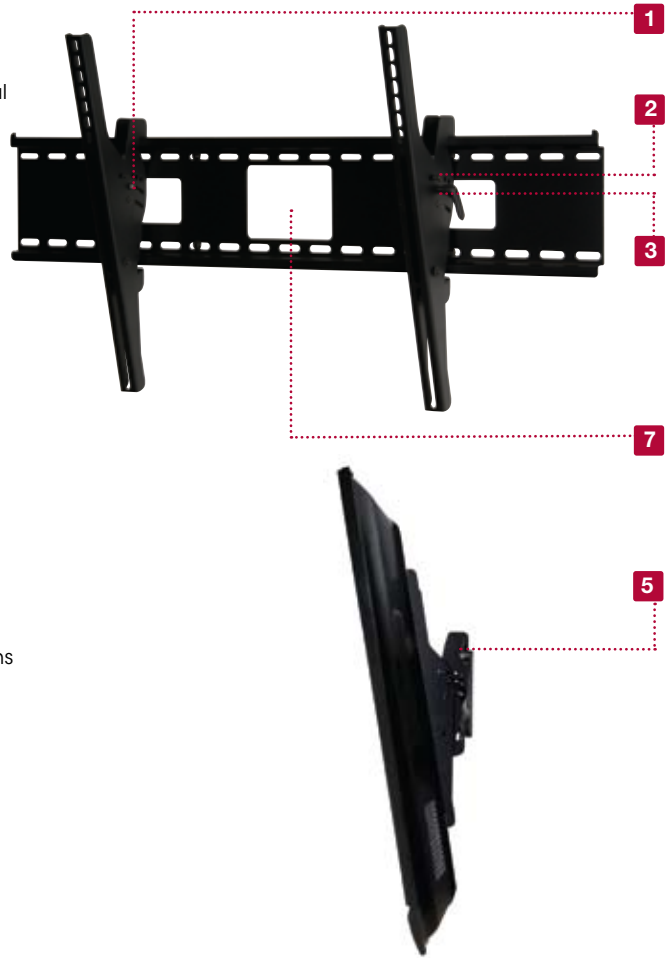
Mounting Surfaces

Wood stud, concrete, cinder block and metal stud
(Metal stud accessory required)

Ship Weight

15.4 lb (6.98 kg)

1. Pre-tensioned universal tilt adapters allow for +15/-5° tilt adjustment in one easy motion
2. Optional tilt lock in 5° increments
3. Easy-grip ratcheting handle locks angle into place
4. Horizontal screen adjustment up to 12" (304 mm)
5. Universal screen adapters easily hook onto wall plate for fast installation
6. Fits screens with mounting hole patterns of 36"W x 20"H (915 x 503 mm)
7. Wall plate knockouts provide wall access improving cable management options



TECHNICAL DRAWINGS

For expanded product information and technical data visit www.peerlessmounts.com

CERTIFICATIONS



ACCESSORIES



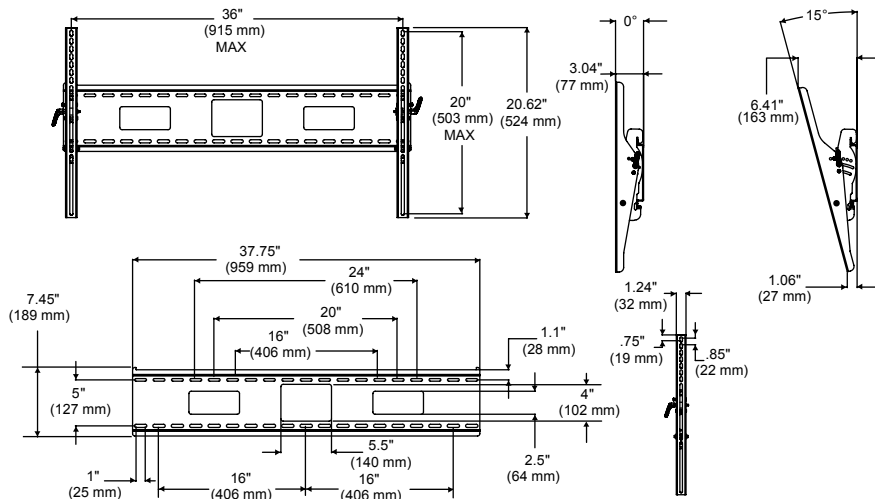
ACC415:
4-pack Metal Stud
Fastener Kit pg# 130



ACC615:
6-pack Metal Stud
Fastener Kit pg# 130



ACC309:
Video Conference Shelf pg# 115



To verify mount compatibility with any LCD, plasma or projector model use MountFinder™ at www.peerlessmounts.com



CLICK: www.peerlessmounts.com



CALL: 800.865.2112



FAX: 708.865.2941