

SmartMount® Pivot Wall Mounts

For 10" to 26" Flat Panel Screens

MODELS

Includes standard hardware (hex or Phillips) for attaching screen to mount

Universal Models: 10" to 24" screens

SP730P High gloss black
SP730P-S High gloss silver

Universal Models: 10" to 26" screens

SP735P High gloss black
SP735P-S High gloss silver

SCREEN ADAPTER



Mounting pattern

Universal Models
SP735P(-S): 7.87" W x 6.39" H
(200 x 162mm)



VESA® pattern

Universal Models
SP730P(-S): 75 and 100mm
SP735P(-S): up to 200 x 100mm

SPECIFICATIONS



Distance from wall

SP730P(-S): 2.19"-9.31" (56-237mm)
SP735P(-S): 2.71"-10.16" (69-258mm)



Tilt | Swivel | Roll

±35° | ±90° | ±7°



Max load

25lb (11kg)

Product Dimensions (W x H x D)

SP730P(-S): 10.69" x 8.05" x 2.19"-9.31"
(272 x 204 x 56-237mm)
SP735P(-S): 13.19" x 8.05" x 2.71"-10.16"
(335 x 204 x 69-258mm)

Mounting Surfaces

Wood stud, concrete, cinder block and metal stud
(Metal stud accessory required)

Ship Weight

SP730P(-S): 2.76lb (1.2kg)
SP735P(-S): 3.7lb (1.7kg)

CERTIFICATIONS



ACCESSORIES



ACC919: Security Fasteners pg# 156

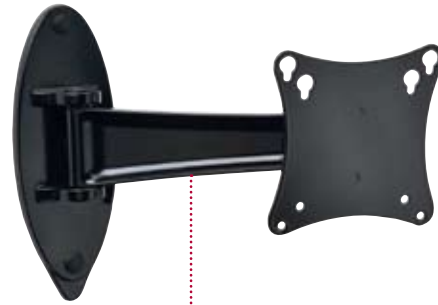


WSP700: Metal Stud Wall Plate for 16" Center Metal Studs ... pg# 154

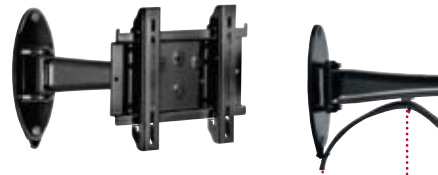


WSP701: Metal Stud Wall Plate for 20" and 24" Center Metal Studs ... pg# 154

1. Arm extends up to 9.31" (237mm) from wall with SP730P models and 10.16" (258mm) with SP735P(-S)
3. Pre-tensioned tilt mechanism offers up to ±35° of one-touch tilt
4. ±7° roll aide in post installation screen leveling
5. Integrated cable management keeps cables and cords out of the way



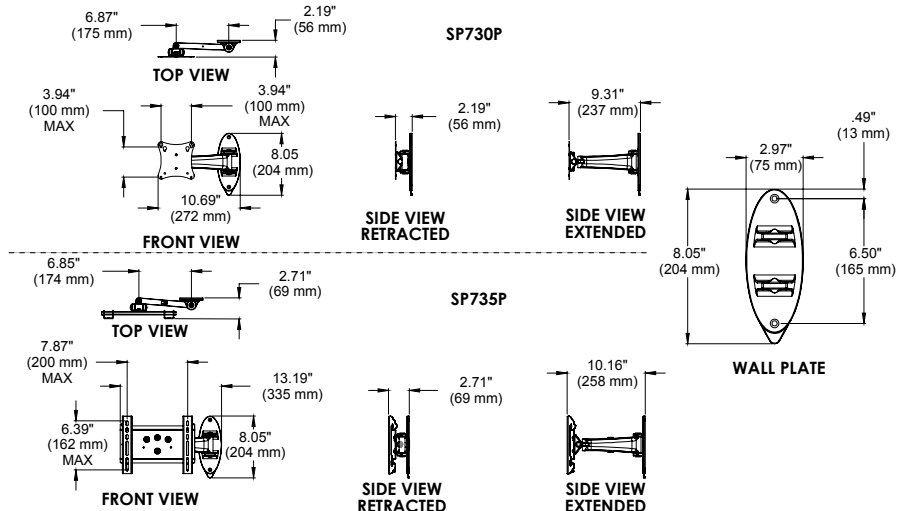
SP730P
Holds 10"-24" screens



SP735P
Holds 10"-26" screens

TECHNICAL DRAWINGS

For expanded product information and technical data visit www.peerlessmounts.com



To verify mount compatibility with any LCD, plasma or projector model use MountFinder™ at www.peerlessmounts.com



CLICK: www.peerlessmounts.com



CALL: 800.865.2112



FAX: 800.359.6500