

# SmartMount® Articulating Wall Arm

For 10" to 24" LCD Screens



FLAT PANEL MOUNTS

1. VESA® 75 and 100 compliant
2. Arm extends up to 16.06" (408 mm) from wall
3. Pre-tensioned tilt mechanism offers up to ±35° of one-touch tilt
4. ±7° of roll to level screen horizontally
5. Up to ±90° of side-to-side swivel
6. Built-in cable management system keep cables and cords out of the way
7. Screen is centered on wall plate
8. Non-VESA® adapter plates also available



## MODELS

### Universal Models:

Includes standard hardware (hex or Phillips) for attaching screen to mount

**SA730P** High gloss black  
**SA730P-S** High gloss silver

## SCREEN ADAPTER



### VESA® pattern

Universal Models: 75 and 100 mm

## SPECIFICATIONS



### Distance from wall

2.19"-16.06" (55-408 mm)



### Tilt | Swivel | Roll

±35° | ±90° | ±7°



### Max load

25 lb (11 kg)

### Product Dimensions (W x H x D)

4.6"-10.5" x 8.05" x 2.19"-16.06"  
(117-266 x 204 x 55-408 mm)

### Mounting Surfaces

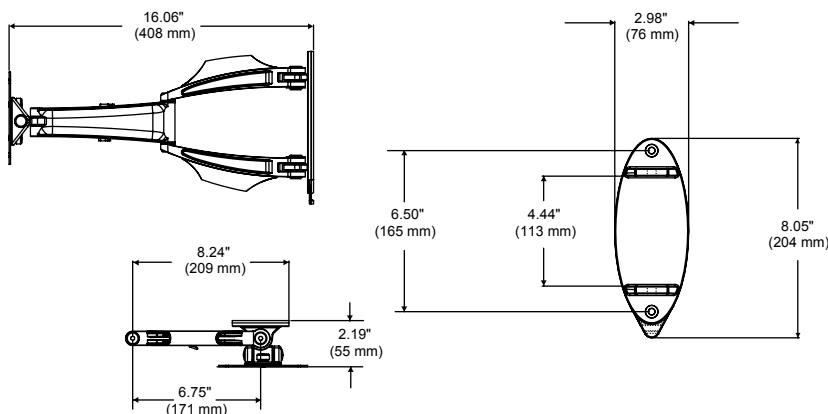
Wood stud, concrete, cinder block and metal stud  
(Metal stud accessory required)

### Ship Weight

3.5 lb (1.5 kg)

For expanded product information and technical data visit [www.peerlessmounts.com](http://www.peerlessmounts.com)

## TECHNICAL DRAWINGS



## CERTIFICATIONS



## ACCESSORIES



**ACC918:** Security Fasteners ..... pg# 132



**ACC215:** 2-pack Metal Stud Fastener Kit ..... pg# 130



**WSP700:** Metal Stud Wall Plate for 16" Center Metal Studs ... pg# 130



**WSP701:** Metal Stud Wall Plate for 20" and 24" Center Metal Studs .. pg# 130

To verify mount compatibility with any LCD, plasma or projector model use MountFinder™ at [www.peerlessmounts.com](http://www.peerlessmounts.com)

**CLICK:** [www.peerlessmounts.com](http://www.peerlessmounts.com)

**CALL:** 800.865.2112

**FAX:** 708.865.2941