

In-wall Box

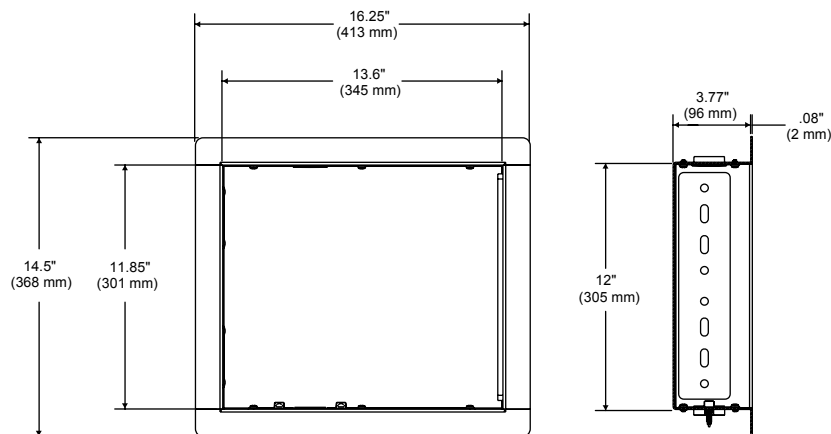
For up to 40" LCD Screens

- Compatible with small and medium pivoting and articulating arms
- Installs between 16" (406 mm) wood stud centers
- Stud-locating tabs adjust 1/4" (6 mm) left or right to accommodate stud spacing
- Removable outlet receptacle and cable management access plates make installation easy
- Three height adjustment points in box set screen in desired vertical position
- Can be inverted to position screen to the right or the left
- TV mount required



For expanded product information and technical data visit www.peerlessmounts.com

TECHNICAL DRAWINGS



To verify mount compatibility with any LCD, plasma or projector model use MountFinder™ at www.peerlessmounts.com



CLICK: www.peerlessmounts.com



CALL: 800.865.2112



FAX: 708.865.2941



MODELS

Universal Models:

Includes standard hardware (hex or Phillips) for attaching screen to mount

IB40	High gloss black
IB40-S	High gloss silver
IB40-W	White

SPECIFICATIONS

	Distance from wall	0.08" (2 mm)
	Max load	80 lb (36 kg)
Product Dimensions	(W x H x D)	16.26" x 14.5" x 3.77" (413 x 368 x 96 mm)
Mounting Surfaces		Wood stud
Ship Weight		14.23 lb (6.45 kg)

CERTIFICATIONS

