

# Articulating Wall Arm

For 22" to 40" Flat Panel Screens



FLAT PANEL MOUNTS

1. Arm extends up to 15.37" (390mm) from wall
2. Three adjustable pivot points for versatile screen positioning
3. Tilt mechanism offers up to +15/-5° of one-touch tilt
4. ±5° roll aide in post installation screen leveling
5. Integrated cable management keeps cables out of the way



## MODELS

### Universal Models:

Includes standard hardware (hex or Phillips) for attaching screen to mount

<b>PA740</b>	Gloss black
<b>PA740-S</b>	Gloss silver

## SCREEN ADAPTER



### VESA® pattern

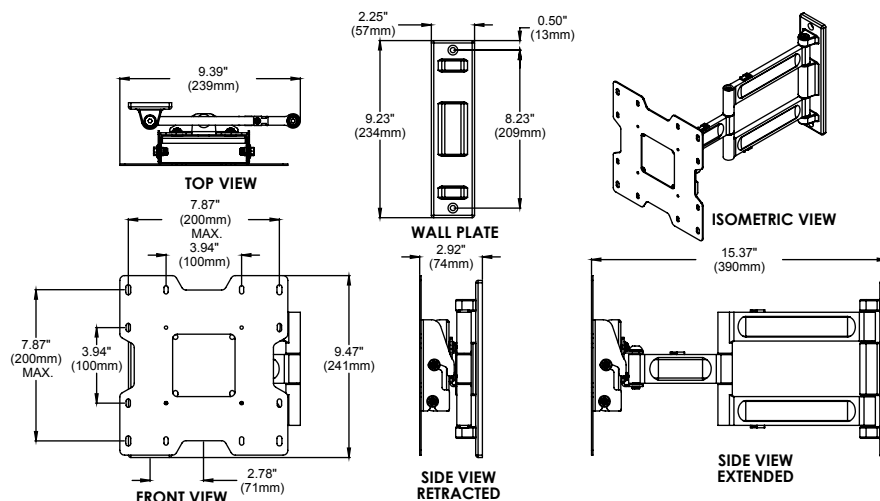
Universal Models:	75, 100, 200 x 100 and 200 x 200mm
-------------------	------------------------------------

## SPECIFICATIONS

Distance from wall	2.92"-15.37" (74-390mm)
Tilt   Swivel   Roll	+15/-5°   ±90°   ±5°
Max load	80lb (36kg)
Product Dimensions (W x H x D)	9.39" x 9.47" x 2.92"-15.37" (239 x 241 x 74-390mm)
Mounting Surfaces	Wood stud, concrete, cinder block and metal stud (Metal stud accessory required)
Ship Weight	5.89lb (2.67kg)

For expanded product information and technical data visit [www.peerlessmounts.com](http://www.peerlessmounts.com)

## TECHNICAL DRAWINGS



## CERTIFICATIONS



## ACCESSORIES



**ACC919:** Security Fasteners ..... pg# 156



**WSP700:** Metal Stud Wall Plate for 16" Center Metal Studs ... pg# 154



**WSP701:** Metal Stud Wall Plate for 20" and 24" Center Metal Studs .. pg# 154

To verify mount compatibility with any LCD, plasma or projector model use MountFinder™ at [www.peerlessmounts.com](http://www.peerlessmounts.com)



CLICK: [www.peerlessmounts.com](http://www.peerlessmounts.com)



CALL: 800.865.2112



FAX: 800.359.6500