



Universal Ultra Slim Articulating Wall Arm

For 37" to 55" Ultra-thin Flat Panel Screens

MODELS

Universal Models:

Includes standard hardware (hex or Phillips) for attaching screen to mount

SUA750PU* Gloss black

* Designed for use with screens that are less than 2" (51 mm) deep

SCREEN ADAPTER



Mounting pattern

Universal Models: 31.92" W x 18.25" H
(811 x 464 mm)



VESA® pattern

Universal Models: 200 x 100, 200 x 200
400 x 200 and 400 x 400 mm

SPECIFICATIONS



Distance from wall

1.1"–28.9" (29-734 mm)



Tilt | Swivel | Roll

+15/-5° | ±90° | ±5°



Max load

100 lb (45 kg)

Product Dimensions (W x H x D)

35.21" x 19" x 1.1"–28.9"
(894 x 483 x 29-734 mm)

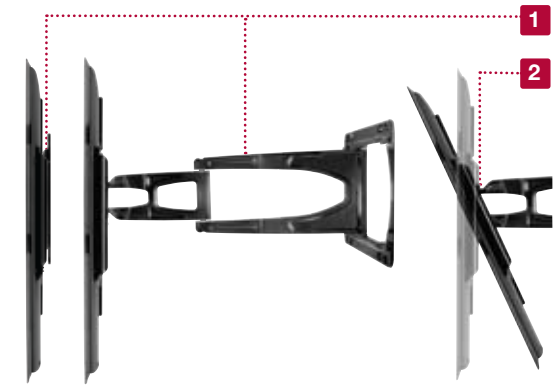
Mounting Surfaces

Wood stud, concrete
and cinder block

Ship Weight

26.5 lb (11.7 kg)

1. Arm retracts to 1.1" (29 mm) and extends up to 28.9" (734 mm) from wall
2. One-touch tilt allows adjustment of +15/-5° without the use of tools
3. Up to ±90° of side-to-side swivel
4. ±5° of roll to level screen horizontally



TECHNICAL DRAWINGS

For expanded product information and technical data visit www.peerlessmounts.com

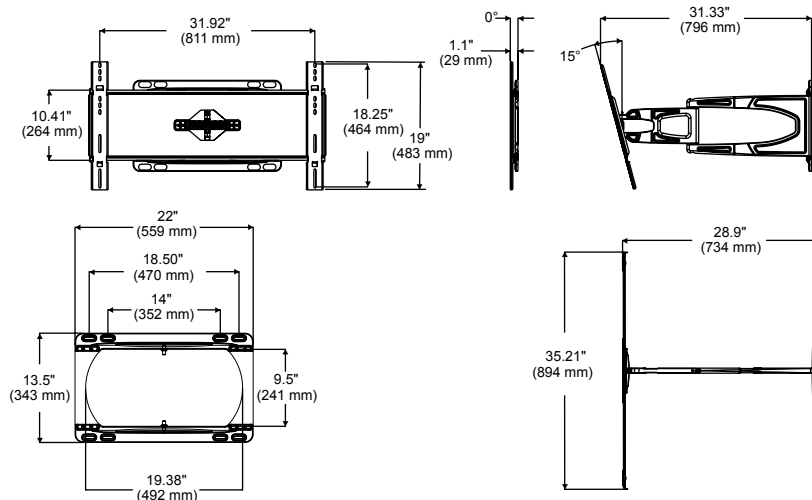
CERTIFICATIONS



ACCESSORIES



ACC925:
Security Fasteners pg# 132



To verify mount compatibility with any LCD, plasma or projector model use MountFinder™ at www.peerlessmounts.com

CLICK: www.peerlessmounts.com

CALL: 800.865.2112

FAX: 708.865.2941