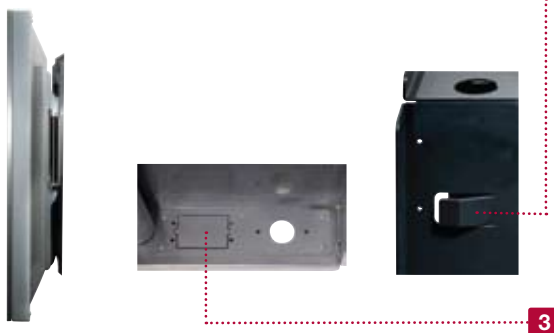


# In-wall Mount

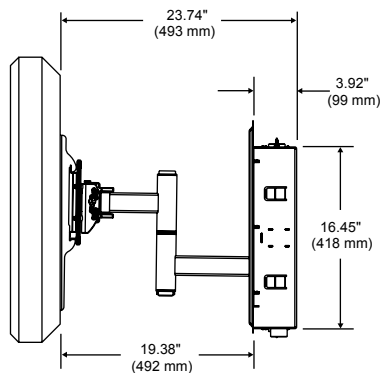
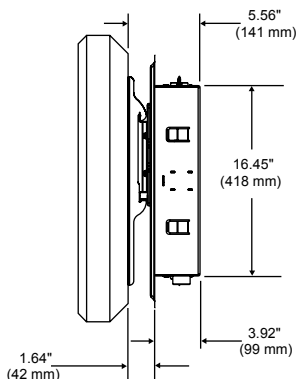
For 32" to 71" (81-180 cm) LCD and Plasma Screens

1. Installs between 1 1/2" (406 mm) wood stud centers
2. Stud-locating tabs adjust 1/4" (6.35 mm) left or right to accommodate stud spacing
3. Removable outlet receptacle and cable management access plates make installation easy
4. Can be inverted to position screen to the right or the left
5. IM760P models are VESA® 100, 200 x 100 and 200 x 200 mm compliant



For expanded product information and technical data visit [www.peerlessmounts.com](http://www.peerlessmounts.com)

## TECHNICAL DRAWINGS



## MODELS

**Universal Models:** 32" to 60" (81-152 cm) screens

Includes standard hardware (hex or Phillips) for attaching screen to mount

**IM760PU** High gloss black  
**IM760PU-S** High gloss silver

**Dedicated Models:** 32" to 71" (81-180 cm) screens

Includes standard hardware (hex or Phillips) for attaching screen to mount  
Screen Adapter Purchased Separately for Non-VESA® Screens\*

**IM760P** High gloss black  
**IM760P-S** High gloss silver

\* Dedicated adapter plates come in flat black and include security fasteners

## SCREEN ADAPTER



**Mounting pattern**

**Universal Models:** 28.7" W x 17.05" H  
(729 x 433 mm)



**VESA® pattern**

**Dedicated Models:** 100, 200 x 100  
and 200 x 200 mm

Non-VESA® compatible screens  
require screen-specific adapter to  
be purchased separately

## SPECIFICATIONS



**Distance from wall**

**Universal Models:** 1.64"–19.38" (42–492 mm)  
**Dedicated Models:** .42"–18.09" (11–459 mm)



**Tilt | Swivel | Roll**

+10/-5° | ±45° | ±7°



**Max load**

200 lb (90 kg)

**Product Dimensions (W x H x D)**

**Universal Models:** 30.75" x 21.86" x 5.56"–23.74"  
(780 x 555 x 141–493 mm)  
**Dedicated Models:** 19.46" x 21.86" x 4.38"–22.56"  
(494 x 555 x 111–573 mm)

**Mounting Surfaces**

Wood stud and metal stud  
(Metal stud accessory required)

**Ship Weight**

**Universal Models:** 42.6 lb (19.32 kg)  
**Dedicated Models:** 58.49 lb (26.53 kg)

## CERTIFICATIONS



## ACCESSORIES



**ACC615:** (Supports up to 125 lb (62 kg) screens)  
6-pack Metal Stud  
Fastener Kit .....pg# 126



**ACC925:**  
Security Fasteners .....pg# 128

To verify mount compatibility with any LCD, plasma or projector model use MountFinder™ at [www.peerlessmounts.com](http://www.peerlessmounts.com)



**CLICK:** [www.peerlessmounts.com](http://www.peerlessmounts.com)



**CALL:** 800.865.2112



**FAX:** 708.865.2941

