



PLA Series Articulating Dual Wall Arm with Vertical Adjustment

For 42" to 71" Flat Panel Screens

MODELS

Universal Models: 42" to 60" screens

Includes theft resistant hardware for attaching screen to mount

PLAV70-UNL Black
PLAV70-UNL-S Silver

Includes standard hardware (hex or Phillips) for attaching screen to mount

PLAV70-UNLP Black
PLAV70-UNLP-S Silver
PLAV70-UNLP-GB High gloss black
PLAV70-UNLP-GS High gloss silver

Dedicated Models: 42" to 71" screens

Includes theft resistant hardware for attaching screen to mount
Screen Adapter Purchased Separately*

PLAV70 Black
PLAV70-S Silver

* Dedicated adapter plates come in flat black and include security fasteners

SCREEN ADAPTER



Mounting pattern

Universal Models: 28.7" W x 17.05" H
(729 x 433 mm)

Dedicated Models: Requires screen-specific adapter to be purchased separately

SPECIFICATIONS



Distance from wall

Universal Models: 5.6"-30.4" (142-772 mm)

Dedicated Models: 4.5"-29.3" (114-744 mm)



Tilt | Swivel | Roll

+10/-5° | ±45° | ±7°



Max load

200 lb (90 kg)

Product Dimensions (W x H x D)

Universal Models: 33.5" x 21.67" x 5.6"-30.4"
(850 x 550 x 142-772 mm)

Dedicated Models: 19.75" x 21.67" x 4.5"-29.3"
(502 x 550 x 114-744 mm)

Mounting Surfaces

Wood stud, concrete and metal stud
(Metal stud accessory required)

Ship Weight

Universal Models: 72.4 lb (32.9 kg)

Dedicated Models: 58.5 lb (26.5 kg)

CERTIFICATIONS



ACCESSORIES



WSP716: (Triple stud on 16" centers)
Metal Stud Wall Plate pg# 130



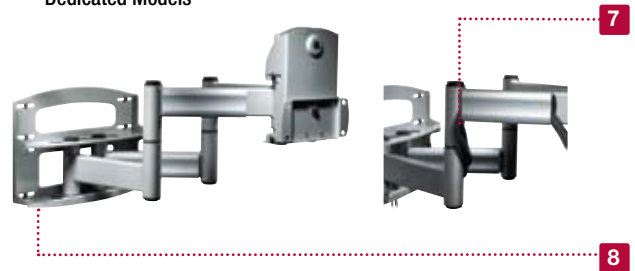
WSP724: (Triple stud on 16"-24" centers)
Metal Stud Wall Plate pg# 130

1. Arm extends up to 29.3" (744 mm) from wall (plus thickness of adapter plate)
2. Up to 180° swivel
3. +10/-5° of tilt
4. ±7° roll to level screen horizontally
5. ±1" (25 mm) vertical adjustment located within reach behind screen
6. Universal models accommodate 42" to 60" screens with mounting holes up to 28.7"W x 17.05"H (729 x 433 mm)
7. Includes mesh cord sheath and cable ties to neatly manage cables and cords
8. Three horizontal arm positions at 2.6" (66 mm) centers for flexible lateral screen placement

Universal Models

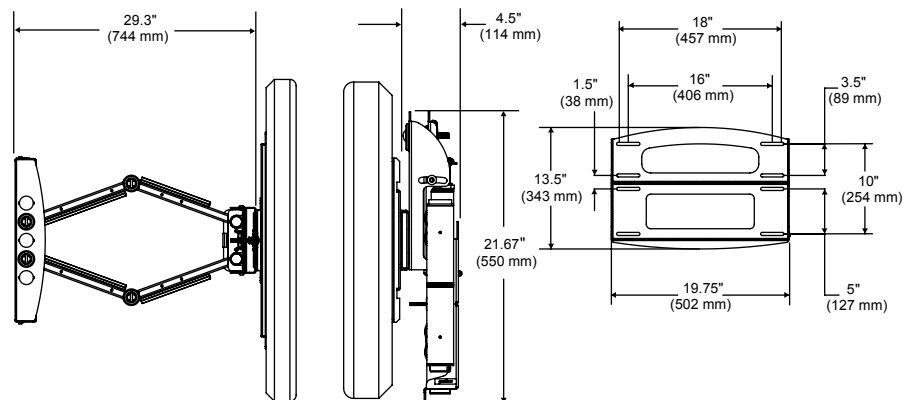


Dedicated Models



TECHNICAL DRAWINGS

For expanded product information and technical data visit www.peerlessmounts.com



To verify mount compatibility with any LCD, plasma or projector model use MountFinder™ at www.peerlessmounts.com



CLICK: www.peerlessmounts.com



CALL: 800.865.2112



FAX: 708.865.2941