




Jumbo® DLP Ceiling Mounts

For most 42" to 65" (106-165 cm) Rear Projection DLP TVs

MODELS

JMC-DLP50	Black
JMC-DLP60	Black

SPECIFICATIONS

	Distance from ceiling	Varies depending on ceiling plate and extension column used
	Tilt Swivel	30° 360°
	Max load	125 lb (56 kg)
Product Dimensions (W x H x D)		
JMC-DLP50:	43.5"-51.5" x 34.7"-46.7" x 14" (1105-1308 x 881-1186 x 238 mm)	
JMC-DLP60:	53.5"-61.5" x 34.7"-46.7" x 14" (1358-1562 x 881-1186 x 238 mm)	
Mounting Surfaces		
Wood stud, concrete (Concrete accessory required)		
Ship Weight		
JMW-DLP50:	46.3 lb (21 kg)	
JMW-DLP60:	59.5 lb (27 kg)	

1. Mounting bracket adjusts in height and width to accommodate most DLP screen models
2. Various drop lengths using optional extension columns
3. Adjustable tilt up to 30°
4. Front and rear roll out protection
5. Flush mounts to structural ceiling on 16" centers
7. JMC-DLP-50 fits TVs 42"-50" (1067-1270 mm) wide, 12"-18.5" (304-469 mm) deep
8. JMC-DLP-60 fits TVs 52"-60" (1321-1524 mm) wide, 12"-18.5" (304-469 mm) deep

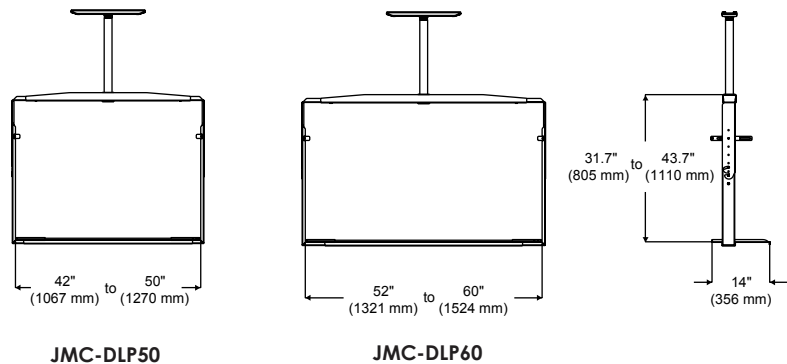


ACCESSORIES

-  **CMJ Models:**
Ceiling Plates pg# 121
-  **ADJ, EXT Models:**
Extension Columns pg# 123
-  **ACC233:**
Concrete Anchors pg# 126
-  **ACC502:**
Security Fasteners pg# 128

TECHNICAL DRAWINGS

For expanded product information and technical data visit www.peerlessmounts.com



To verify mount compatibility with any LCD, plasma or projector model use MountFinder™ at www.peerlessmounts.com



CLICK: www.peerlessmounts.com



CALL: 800.865.2112



FAX: 708.865.2941