

Pedestal Stand

For 10" to 30" LCD Screens

1. VESA® 75 and 100 compliant
2. Adjustable height from 60.75" to 80" (1543-2032 mm)
3. Feet can move inward along pole if required
4. 180° of swivel at the head (up to 90° on each side)
5. Can be used freestanding up to 25 lb (11 kg) or bolted down up to 40 lb (18 kg)
6. Comes with hardware to bolt to concrete flooring



MODELS

Universal Models:

Includes standard hardware (hex or Phillips) for attaching screen to mount

LCFS-100 Black
LCFS-100S Silver

SCREEN ADAPTER



VESA® pattern

Universal Models: 75 and 100 mm

SPECIFICATIONS



Height Adjustment

60.75"-80" (1543-2032 mm)



Swivel

±90°



Max load

Freestanding: 25 lb (11 kg)
Bolted down: 40 lb (18 kg)

Product Dimensions (W x H x D)

7.6"-23" x 60.75"-80" x 24"
(193-584 x 1543-2032 x 610 mm)

Mounting Surfaces

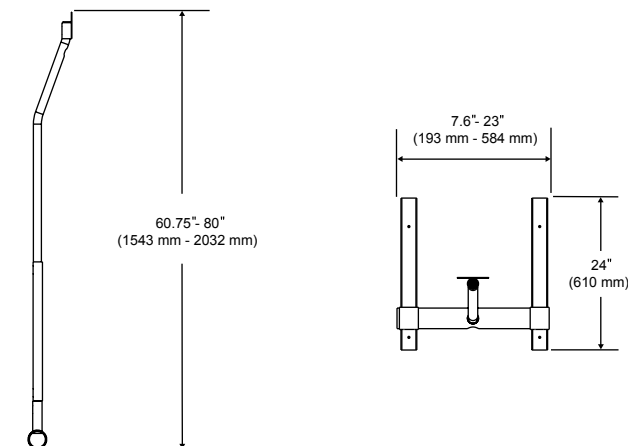
All floor surfaces

Ship Weight

26 lb (11.8 kg)

For expanded product information and technical data visit www.peerlessmounts.com

TECHNICAL DRAWINGS



RoHS
2002/95/EC

MADE IN USA

To verify mount compatibility with any LCD, plasma or projector model use MountFinder™ at www.peerlessmounts.com



CLICK: www.peerlessmounts.com



CALL: 800.865.2112



FAX: 708.865.2941