

One-link Pivot Desktop Pole

For 15" to 24" LCD Monitors



FLAT PANEL MOUNTS

1. VESA® 75 and 100 compliant
2. 360° of lockable swivel
3. 9.29" (236 mm) of height adjustment
4. Portrait to landscape adjustment without removing the screen
5. Desk clamp and desk bolt models available



MODELS

Universal Models:

Includes standard hardware (hex or Phillips) for attaching screen to mount

LCT-A1B5C	Desk clamp	Silver
LCT-A1B5H	Bolt hole	Silver

SCREEN ADAPTER



VESA® pattern

Universal Models: 75 and 100 mm

SPECIFICATIONS



Distance from base

up to 12.76" (324 mm)



Tilt | Swivel

Monitor tilt: +20°/-30°
Swivel: 360°



Max load

17.5 lb (8 kg)

Product Dimensions (W x H x D)

LCT-A1B5C:	6.34" x 19.02" x 12.76" (161 x 483 x 324 mm)
LCT-A1B5H:	6.34" x 13.74" x 12.76" (161 x 349 x 324 mm)

Mounting Surfaces

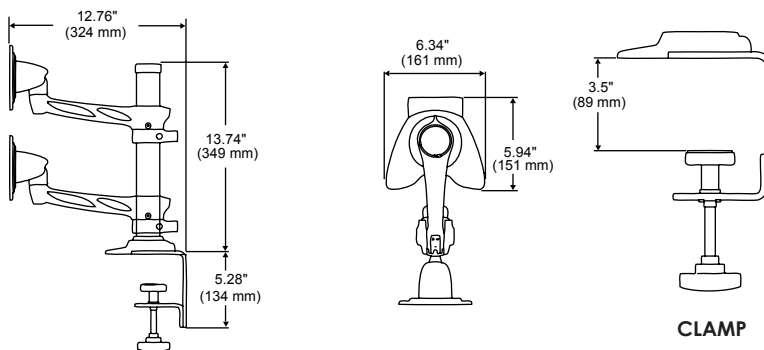
Desktop

Ship Weight

LCT-A1B5C:	11.4 lb (5.2 kg)
LCT-A1B5H:	8.1 lb (3.7 kg)

For expanded product information and technical data visit www.peerlessmounts.com

TECHNICAL DRAWINGS



ACCESSORIES



ACC918:

Security Fasteners pg# 132

To verify mount compatibility with any LCD, plasma or projector model use MountFinder™ at www.peerlessmounts.com



CLICK: www.peerlessmounts.com



CALL: 800.865.2112



FAX: 708.865.2941