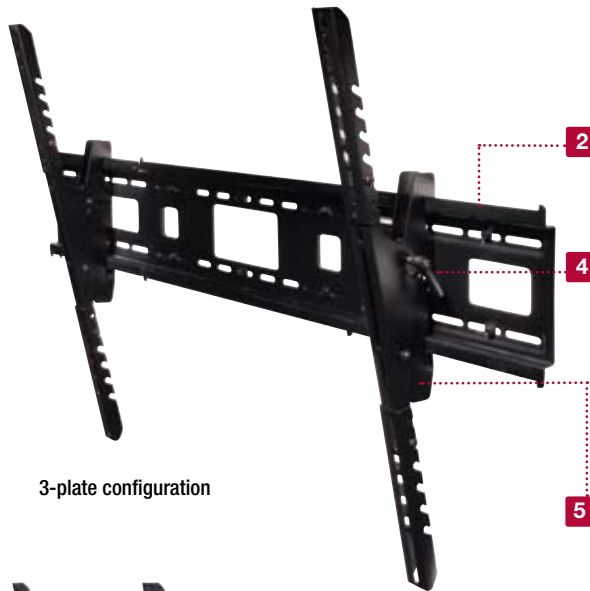




1. Modular design expands mount to accommodate 23" to 84" screens
2. Horizontal screen adjustment up to 8" (203 mm)
3. One-touch tilt allows adjustment of +15/-5° without use of tools
4. Optional tilt lock in 5° increments
5. Easy-glide bracket design ensures screen is securely attached to wall plate
6. Fits screens with mounting hole patterns up to 41.32"W and 26.48"H (1050 x 673 mm)
7. Portrait orientation for up to 50" screens with maximum mounting hole patterns of 17.52"W and 26.48"H (445 x 673 mm)
8. Wall plate knockouts provide wall access improving cable management options



3-plate configuration



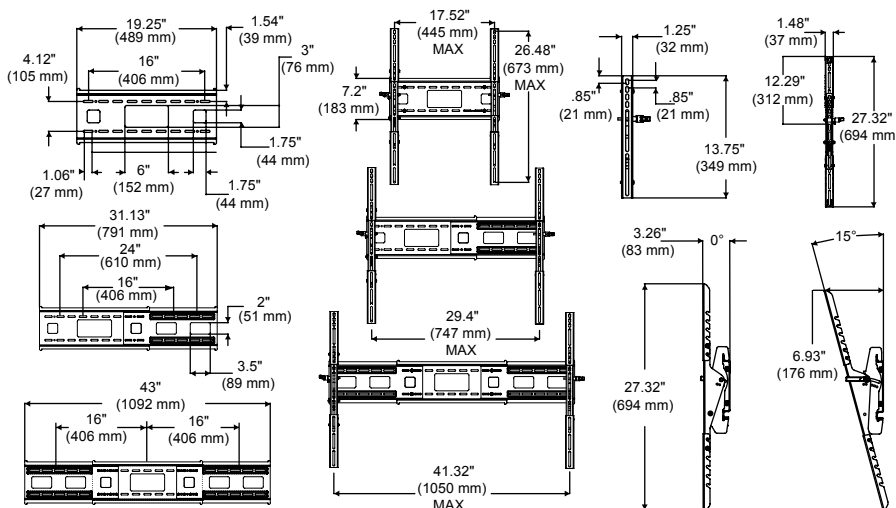
2-plate configuration



1-plate configuration

For expanded product information and technical data visit www.peerlessmounts.com

TECHNICAL DRAWINGS



MODELS

Universal Models:

Includes theft resistant and standard hardware (hex or Phillips) for securing screen to mount

ONE-TP	Black
ONE-TP-S	Silver

SCREEN ADAPTER



Mounting pattern

Universal Models

1-plate Configuration:	17.52"W x up to 26.48" H (445 x 673 mm)
2-plate Configuration:	29.4" W x up to 26.48" H (747 x 673 mm)
3-plate Configuration:	41.32" W x up to 26.48" H (1050 x 673 mm)

SPECIFICATIONS



Distance from wall

3.26" (83 mm)



Tilt

+15/-5°



Max load

250 lb (113 kg)

Product Dimensions (W x H x D)

1-plate Configuration:	19.25" x 13.75" x 3.26" (489 x 349 x 83 mm)
2-plate Configuration:	31.13" x 27.32" x 3.26" (791 x 694 x 83 mm)
3-plate Configuration:	43" x 27.32" x 3.26" (1092 x 694 x 83 mm)

Mounting Surfaces

Wood stud, concrete, cinder block and metal stud
(Metal stud accessory required)

Ship Weight

18.7 lb (8.5 kg)

CERTIFICATIONS



ACCESSORIES



ACC415: (for 1 and 2-plate configurations)
4-pack Metal Stud Fastener Kit pg# 130



ACC615: (for 3-plate configuration)
6-pack Metal Stud Fastener Kit pg# 130



ACC937:
M10 Mounting Hole Adapters pg# 130

To verify mount compatibility with any LCD, plasma or projector model use MountFinder™ at www.peerlessmounts.com