

# Ceiling/Wall Projector Mount with Adjustable Extension

For Projectors up to 50 lb (22 kg)

- Spider® Universal Adapter Plate extends up to 17.63" (448 mm) to fit most projector models
- Continuous channel design for uninterrupted drop length or wall extension adjustments
- Safety catch designed into extension to ensure user and equipment safety
- Internal cable management within channels for clean, clutter-free appearance
- Mounts to ceiling or wall\* with included wall mount interface
 

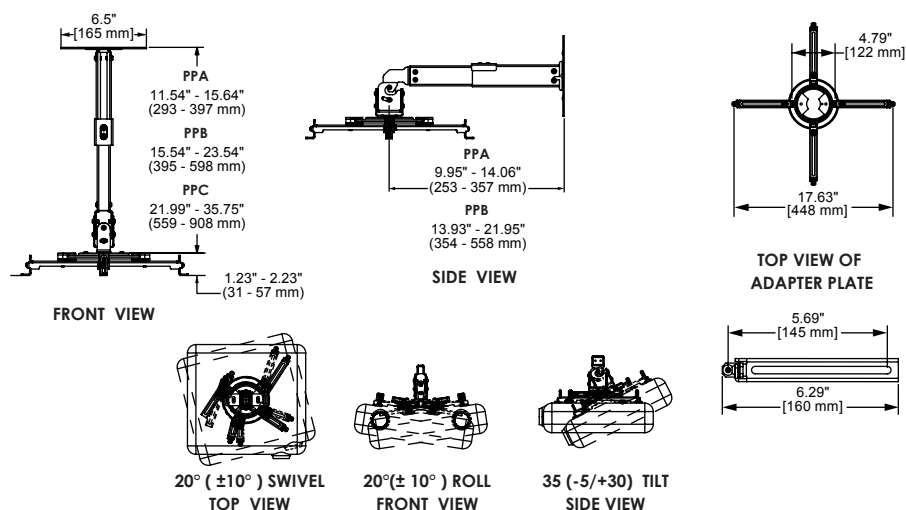
*\* PPA and PPB models only. PPC is not wall mountable due to its extensive reach.*
- Three independent axes of adjustment for perfect image alignment:
 

Tilt: +30°/-5°  
Swivel: 360° (±20° at mount)  
Roll: ±20°
- Works with standard 4" (101 mm) loops for use with round, square, rectangular or I-Beam truss up to 3" (76 mm) wide x 3.5" (89 mm) wide



For expanded product information and technical data visit [www.peerlessmounts.com](http://www.peerlessmounts.com)

## TECHNICAL DRAWINGS



## MODELS

### Universal Models:

Includes theft resistant hardware for attaching projector to mount

With 12.75"-17.78" (324-452 mm) ceiling extension and 9.95"-14.06" (253-357 mm) wall extension:

**PPA** Black  
**PPA-S** Silver  
**PPA-W** White

With 16.75"-25.68" (425-652 mm) ceiling extension and 13.95"-21.94" (354-557 mm) wall extension:

**PPB** Black  
**PPB-S** Silver  
**PPB-W** White

With 23.2"-37.89" (589-962 mm) ceiling extension:

**PPC** Black  
**PPC-S** Silver  
**PPC-W** White

## PROJECTOR ADAPTER



### Mounting pattern

Universal Models: Up to 17.63" (448 mm)

## SPECIFICATIONS



### Distance from ceiling

PPA(-S)(-W): 12.75"-17.78" (324-452 mm)  
PPB(-S)(-W): 16.75"-25.68" (425-652 mm)  
PPC(-S)(-W): 23.2"-37.89" (589-962 mm)



### Distance from wall

PPA(-S)(-W): 9.95"-14.06" (253-357 mm)  
PPB(-S)(-W): 13.95"-21.94" (354-557 mm)



### Tilt | Swivel | Roll

+30°/-5° |  
360° (±20° at mount) | ±20°



### Max load

50 lb (22 kg)

### Product Dimensions (W x D)

8.5"-17.63" x 8.5"-17.63"  
(216-448 x 216-448 mm)

### Mounting Surfaces

Wood joist, concrete and truss

### Ship Weight

PPA(-S)(-W): 6.4 lb (2.90 kg)  
PPB(-S)(-W): 6.8 lb (3.08 kg)  
PPC(-S)(-W): 7.7 lb (3.49 kg)

## CERTIFICATIONS



## ACCESSORIES



**ACC575:**  
Threaded Connector  
Accessory.....pg# 128

To verify mount compatibility with any LCD, plasma or projector model use MountFinder™ at [www.peerlessmounts.com](http://www.peerlessmounts.com)



CLICK: [www.peerlessmounts.com](http://www.peerlessmounts.com)



CALL: 800.865.2112



FAX: 708.865.2941