



# Flush Ceiling Projector Mount

For Projectors up to 50 lb (22 kg)

## MODELS

### Universal Models:

Includes theft resistant hardware for attaching projector to mount

<b>PPF</b>	Black
<b>PPF-S</b>	Silver
<b>PPF-W</b>	White

## SCREEN ADAPTER

### Mounting pattern

Universal Models: Up to 17.63" (448 mm)

## SPECIFICATIONS

### Tilt | Swivel | Roll

+30°/-5° | ±20° | ±20°

### Max load

50 lb (22 kg)

### Product Dimensions (W x H x D)

8.5"-17.63" x 5.6" x 8.5"-17.63"  
(216-448 x 142 x 216-448 mm)

### Mounting Surfaces

Wood joist, concrete

### Ship Weight

4.8 lb (2.17 kg)

## CERTIFICATIONS

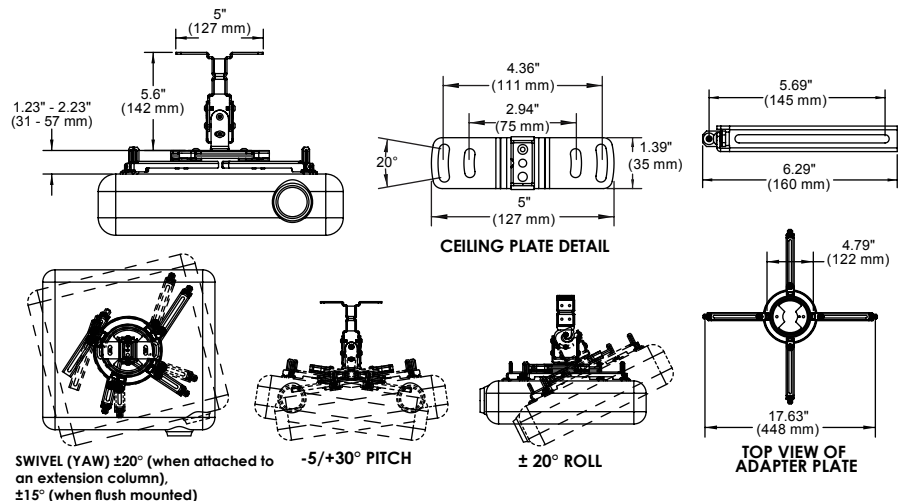


1. Spider® Universal Adapter Plate extends up 17.63" (488 mm) to fit most projector models
2. Provides full range of image adjustment:  
*Tilt: +30°/-5°*  
*Roll: ±20°*  
*Swivel: ±20°*
3. Low-profile design for flush mount installations



## TECHNICAL DRAWINGS

For expanded product information and technical data visit [www.peerlessmounts.com](http://www.peerlessmounts.com)



To verify mount compatibility with any LCD, plasma or projector model use MountFinder™ at [www.peerlessmounts.com](http://www.peerlessmounts.com)



CLICK: [www.peerlessmounts.com](http://www.peerlessmounts.com)



CALL: 800.865.2112



FAX: 708.865.2941