



PRS Series Adjustable Extension Projector Mount Kit

For Projectors up to 25 lb (11 kg)

MODELS

Universal Models:

Includes theft resistant hardware for attaching projector to mount

PRS-KIT0811	Black
PRS-KIT1420	Black
PRS-KIT2026	Black

SCREEN ADAPTER

Mounting pattern

Universal Models: Up to 17.63" (448 mm)

SPECIFICATIONS

Distance from ceiling

PRS-KIT0811:	9.66"-12.66" (245-321 mm)
PRS-KIT1420:	15.66"-21.66" (398-550 mm)
PRS-KIT2026:	21.66"-27.66" (550-703 mm)

Tilt | Swivel | Roll

+5°/-20° | 360° | ±10°

Max load

25 lb (11 kg)

Product Dimensions (W x D)

8.5"-17.63" x 8.5"-17.63"
(216-448 x 216-448 mm)

Mounting Surfaces

Wood joist, concrete and other structures
(Other structures require accessory)

Ship Weight

PRS-KIT0811:	7.18 lb (3.26 kg)
PRS-KIT1420:	9.18 lb (4.16 kg)
PRS-KIT2026:	11.18 lb (5.07 kg)

CERTIFICATIONS



ACCESSORIES



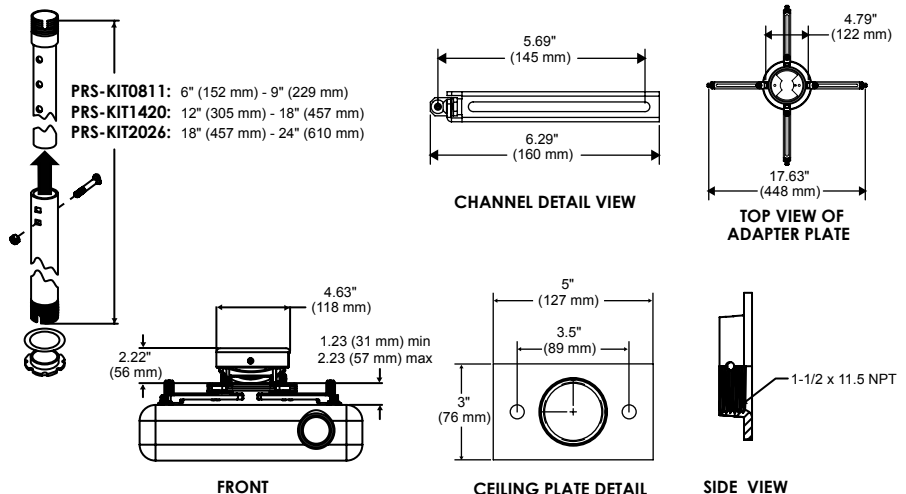
ACC, CMJ Models:
Ceiling Platespg# 125, 127

1. Spider® Universal Adapter Plate extends up to 17.63" (448 mm) to fit most projector models
2. Includes ceiling plate for wood or concrete ceiling
3. Comes in three adjustable height ranges in 1" (25 mm) increments:
6"-9" (152-229 mm)
12"-18" (305-457 mm)
18"-24" (457-610 mm)
4. Uses 1-1/2" x 11.5 NPT adjustable extension column
5. Cable management allows cables to be routed through projector mount and out of sight
6. Three axes of adjustment enable precise image alignment
7. Quick-release mechanism to easily service projector



TECHNICAL DRAWINGS

For expanded product information and technical data visit www.peerlessmounts.com



To verify mount compatibility with any LCD, plasma or projector model use MountFinder™ at www.peerlessmounts.com



CLICK: www.peerlessmounts.com



CALL: 800.865.2112



FAX: 708.865.2941