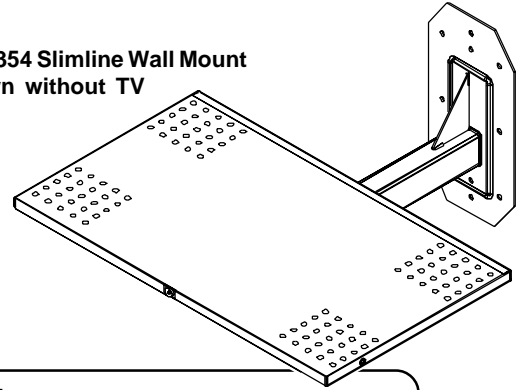


Slimline Wall Mount models **LWB354, LWB354T, LWB530, and LWB530T** are compatible with most 19" and 20" TVs and monitors. Model LWB354 and LWB530 have a 0° tilt support tray. Model LWB354T and LWB530T have a fixed 10° tilt support tray.

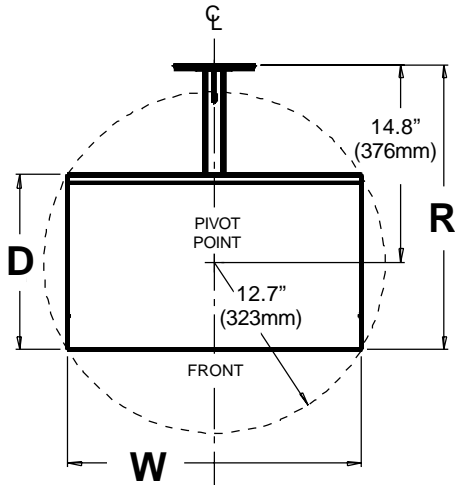
WARNING: WEIGHT OF TV NOT TO EXCEED MAXIMUM LOAD CAPACITY OF 100LBS (45KG)!

LWB354 Slimline Wall Mount shown without TV

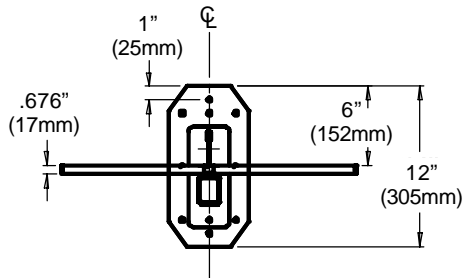


Features:

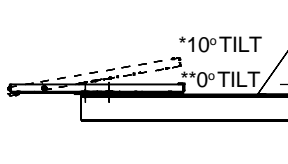
- Two-piece support tray with keylock
- Swivel Action
- Black fused epoxy finish



TOP VIEW



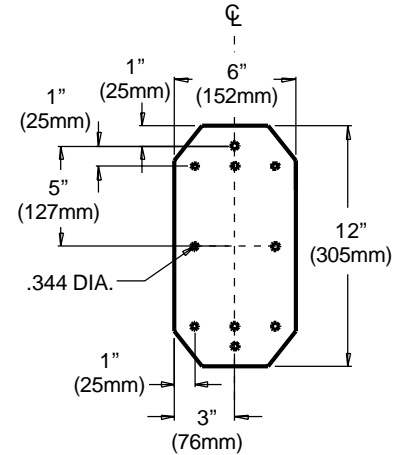
FRONT VIEW



SIDE VIEW

*Model LWB354T, LWB530T

**Model LWB354, LWB530



WALL PLATE DETAIL (1.5X Scale)



LISTED

This product is intended for use with UL Listed products and must be installed by a qualified professional installer.

Shipping weight based on single unit shipment. Per unit shipping weight may be less for bulk orders.

MODEL NUMBER	W	D	R	WEIGHT	SHIPPING WEIGHT	MONITOR SIZE
LWB354, & LWB354T	20" (508mm)	11" (279mm)	19.5" (495mm)	18.5 lbs. (8.4 kg.)	19.5 lbs. (8.9kg.)	19"- 20"
LWB530, & LWB530T	22" (559mm)	13" (330mm)	20.5" (521mm)	20 lbs. (9.1 kg.)	21 lbs. (9.5kg.)	19"- 20"

ARCHITECTS SPECIFICATIONS

The Slimline Wall Mount shall be a Peerless model _____ and shall be located where indicated on the plans. It shall be constructed of heavy gauge cold rolled steel with a flat or 10° fixed tilt. It shall include a key lock for security. The finish shall be scratch resistant Black Fused Epoxy. Assembly and installation shall be done according to instructions provided by the manufacturer.



Peerless Industries, Inc. 1980 Hawthorne Ave. Melrose Park, IL 60160
708-865-8870 800-865-2112 Fax 708-865-2941 www.peerlessindustries.com

TECHNICAL DATA SHEET

Slimline Wall Mount for 19"- 20" TV's

Sheet No. 029-9502 Issued: 07-27-99 REV:A 8-13-99