

# TECHNICAL DATA SHEET - Projector Mount for Hitachi™

models CP-S220W, CP-X270, CP-S225W, CP-X275

**peerless®**  
Solid Solutions - Solid Support™

**MODEL: PJC HT8**  
Protected by U.S. Patent No. D480,100.



The **Vector Pro™** LCD Projector Mount features a ball and socket design for multi-directional positioning (roll, pitch and yaw,) a dedicated projector adapter plate, complete security, and self locating attachment points for a simple installation.

**Features:**

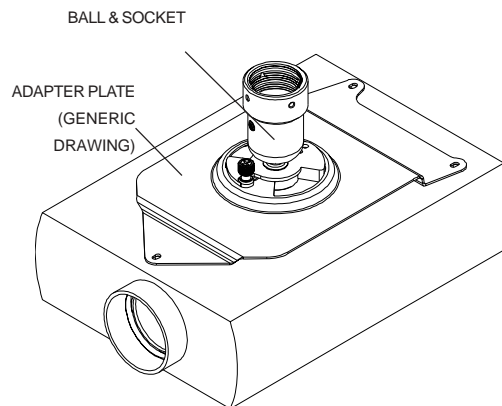
- Ball and Socket Mount with dedicated projector adapter plate (includes items shown at right)
- Ball and Socket Mount ships fully assembled. Attaches to projector adapter plate with a partial rotation and engages into place.
- 30° (±15°) pitch, 30° (±15°) roll, 360° yaw
- Complete security
- Spring loaded captive screw and security screw allow for easy removal of projector

**ORDERING OPTIONS**

**Adapter Plate plus Ball & Socket model PJC HT8 Components can be ordered separately as well to accommodate future projector model changes or sharing of projectors between rooms. Contact customer service for ordering information.**

**\*Important:**

This model includes the items pictured above. In order to complete the installation, an extension column and ceiling plate or threaded rod and threaded rod adapter will be needed. If using an extension column, the cord management accessory can be ordered to neatly route the cords through the column. If flush mounting direct to ceiling, be certain to order flush mount tube to connect ceiling plate to ball and socket mount.



**Accessories:**

- Fixed and Adjustable length Extension Columns, 1 1/2" NPT ("EXT" or "ADJ" models)
- Ceiling Plates (various models available)
- Cord Management Adapter (ACC 800)
- 1/2" Threaded Rod (ACC 820) and Threaded Rod Adapter (ACC 810)
- Concrete Anchors (accessory kit ACC 205)

**Dimensions:**

**For product dimensions, see page 2.**

**ARCHITECTSSPECIFICATIONS:**

The Vector Pro LCD projector mount shall be a Peerless model \_\_\_\_\_ and shall be mounted where indicated on the plans. It shall feature 30° (±15°) pitch, 30° (±15°) roll and 360° yaw. It shall have a 50 lbs. load capacity. It shall have a quick release spring loaded screw for easy removal and installation of the LCD video projector. It shall feature security screws. It shall be constructed of aluminum and Nylon finished in Black. The main housing of the Vector Pro is constructed of Aluminum. The connector, which locks into the steel adapter plate, is constructed of Nylon and is secured to the main housing with a 1/4-20 1 1/2" long steel bolt. The Nylon material can take direct heat up to 250 degrees without any deformation. It's melting point is at 500 degrees. The PJC 100 has been pull tested to 200 lbs to meet UL requirements for a 50 lbs. rating. The Vector Pro is capable of holding up to 50 lbs. at the maximum 15 degree roll or pitch. Installation and assembly shall be done in accordance with the instructions provided by the manufacturer.

**Peerless Industries, Inc.**  
3215 W. North Ave. Melrose Park, IL 60160  
708-865-8870 800-865-2112 Fax 708-865-2941  
[www.peerlessindustries.com](http://www.peerlessindustries.com)

**ISSUED: 05-17-02 SHEET NO: 055-9511-3 11-11-03**

©2003 Peerless Industries, Inc. All rights reserved.  
Peerless is a registered trademark of Peerless Industries, Inc.  
Vector Pro is a trademark of Peerless Industries, Inc.

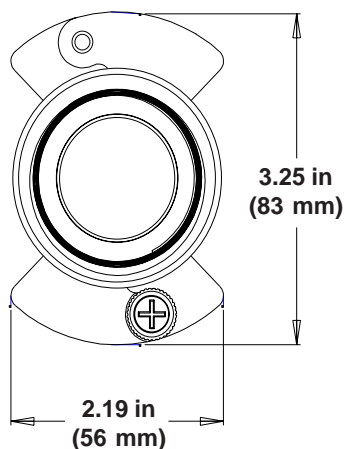
All other brand and product names are trademarks or registered trademarks of their respective owners.

TECHNICAL DATA SHEET

**MODEL: PJC HT8**  
 Protected by U.S. Patent No. D480100.

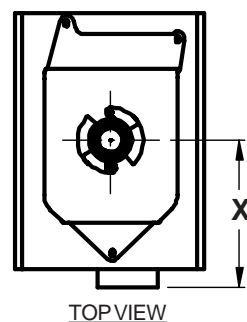
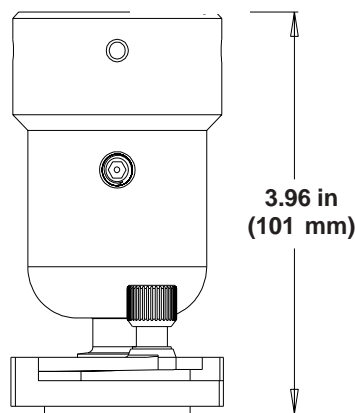


**TOP VIEW**

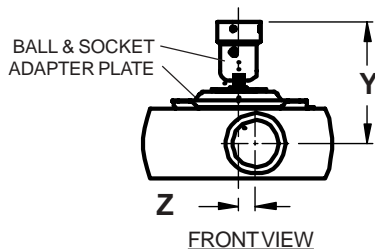


MODEL #	DIMENSIONS			WEIGHT	SHIPPING WEIGHT	SHIPPING CARTON DIMENSIONS
	X	Y	Z			
<b>Adapter plate only</b>	4.0 (102)	1.5 (38)	2.0 (51)	.96 (.4)	1.55 (.7)	10.5 x 9.25 x 1.0 (267 x 235 x 25)
PJC HT8	4.0 (102)	5.5 (140)	2.0 (51)	1.63 (0.7)	2.22 (1.0)	12.25 x 9.25 x 4.0 (311 x 235 x 102)

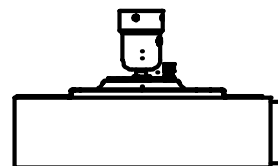
All dimensions shown as inch / (mm). All weights shown as pounds / (kg)



TOP VIEW



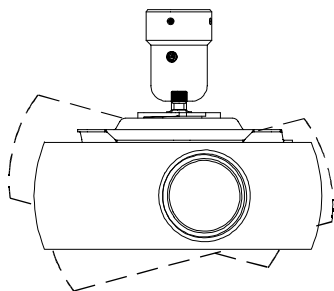
FRONT VIEW



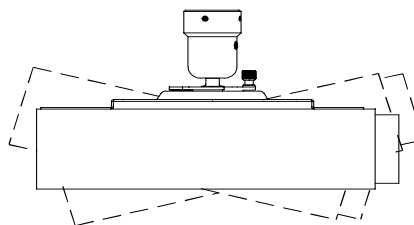
SIDE VIEW

**FRONT VIEW**

30° (±15°) ROLL



30° (±15°) PITCH



360° (±180°) YAW

