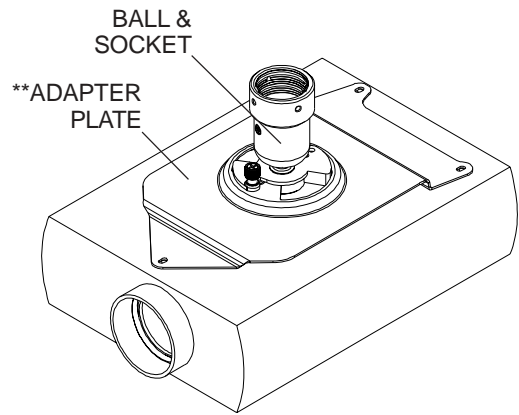


Models: PAP-NC3 (Adapter Plate only), PJC-NC3 (Adapter Plate plus Ball & Socket)
 Protected by U.S. Patent No. D480,100.

Vector Pro™ LCD Projector Mounts feature a ball and socket design for multi-directional positioning (roll, pitch and yaw), complete security, and self-locating attachment points for a simple installation.

ORDERING OPTIONS

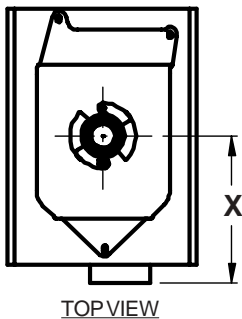
Ball & Socket *only* model *PJC 100
 Adapter Plate *only* model PAP-NC3
 Adapter Plate *plus* Ball & Socket model PJC-NC3



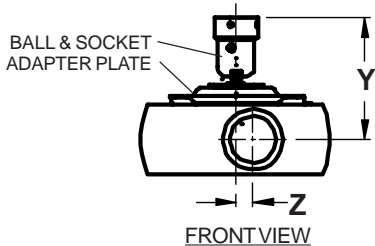
Features:

- Security fasteners to attach adapter plate to projector
- Custom designed to fit specific projector

IMPORTANT: For a complete installation, your order should include one Ball&Socket, one Adapter Plate or Universal Adapter Plate, one extension column (unless using ***threaded rod), and one ceiling fixture (several models available)
 Accessories such as the cord management adapter are optional.

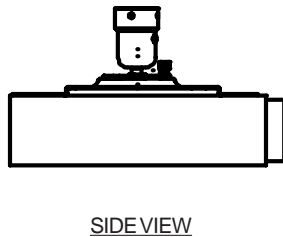


TOP VIEW



FRONT VIEW

MODEL #	DIMENSIONS			WEIGHT	SHIPPING WEIGHT	SHIPPING CARTON DIMENSIONS
	X	Y	Z			
PAP-NC3	5.4 (137)	6.1 (155)	1.4 (36)	1.2 (.54)	1.4 (.63)	10 x 9.25 x .75 (254 x 235 x 19)
PJC-NC3	5.4 (137)	6.1 (155)	1.4 (36)	1.87 (.85)	2.27 (1)	12.75 x 18.75 x 6.25 (324 x 476 x 159)



SIDE VIEW

NOTES: All dimensions shown as inch / (mm)
 All weights shown as pounds / (kg)

* See separate Technical Data Sheet for additional PJC 100 dimensions and info.

** Adapter Plate and projector illustrated are generic. Actual appearance will differ from product to product.

*** Threaded Rod model ACC 802 and Threaded Rod Adapter ACC 810 are available separately.

ARCHITECTS SPECIFICATIONS

The LCD projector mount shall be a Peerless model _____ Vector Pro™ and shall be mounted where indicated on the plans. It shall feature security fasteners to attach the adapter plate to the projector. It shall be custom designed to fit a specific projector. It shall be constructed of steel and finished in Black. Installation and assembly shall be done in accordance with the instructions provided by the manufacturer.



Peerless Industries, Inc. 3215 W. North Ave. Melrose Park, IL 60160
 708-865-8870 800-865-2112 Fax 708-865-2941 www.peerlessindustries.com

TECHNICAL DATA SHEET

Vector Pro™ LCD Projector Mount for NEC™ VT440 & VT450

ISSUED: 8-31-01 SHEET # 055-9518-1 11-11-03 **page 1 of 1**