

The Extension Column for Multi-Display Mounts is one of three elements required for Multi-Display Ceiling Mount installations. It is available in several lengths which are adjustable at 1" increments (see specifications, above right).

Multi-Display Carousels, Multi-Display Dual Jumbo Mounts, Structural Ceiling Decoupler, and Truss Ceiling Decoupler are sold separately. For additional information see Technical Data Sheets for these products.

SPECIFICATIONS

WEIGHT lb (kg)	*SHIPPING WEIGHT lb (kg)	MODEL#	LENGTH (L) - adjustable at 1" increments in. (meter)	
			MINIMUM	MAXIMUM
4.5 (2)	5 (2.3)	ADD012018	12 (.3)	18 (.46)
3 (1.4)	5.5 (2.5)	ADD018024	18 (.460)	24 (.61)
8 (3.6)	8.2 (3.7)	ADD0203	22.25 (.57)	34.25 (.87)
9.8 (4.4)	13.3 (6)	ADD0305	34.25 (.87)	58.25 (1.48)
13 (5.9)	16 (7.3)	ADD0406	46.25 (1.17)	70.25 (1.78)
16.5 (7.5)	21 (10)	ADD0507	58.25 (1.48)	82.25 (2.09)
18 (8.2)	22 (11)	ADD0608	70.25 (1.78)	94.25 (2.39)
19.5 (8.8)	24 (11)	ADD0709	82.25 (2.09)	106.25 (2.70)
21 (9.5)	26 (12)	ADD0810	94.25 (2.39)	118.25 (3)
22.5 (10.2)	30.3 (13.7)	ADD0911	106.25 (2.70)	130.25 (3.31)
28 (12.7)	34 (15.4)	ADD1012	118.25 (3)	142.25 (3.61)

**** BALANCED MAXIMUM LOAD CAPACITY for all Extension Columns for Multi-Display Mounts: 800 lb (363 kg)**

* Shipping weight based on single unit shipment. Per unit shipping weight may be less for bulk orders.
 ** Balanced Maximum Load Capacity includes the combined weight of the Multi-Display Carousel or Dual Jumbo Mount (page 2) and all equipment (TVs and VCRs). All TVs and VCRs must be of the same model for proper balance/stability.

Protected by U.S. Patent no. 5127617 and 5487524. International patents pending.

**TECHNICAL DATA SHEET
 EXTENSION COLUMN FOR MULTI-DISPLAY™ MOUNTS**

Peerless Industries, Inc.
 3215 W. North Ave. phone: (708) 865-8870
 Melrose Park, IL 60160 fax: (708) 865-2941

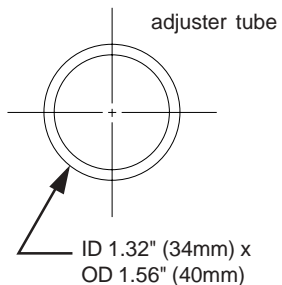
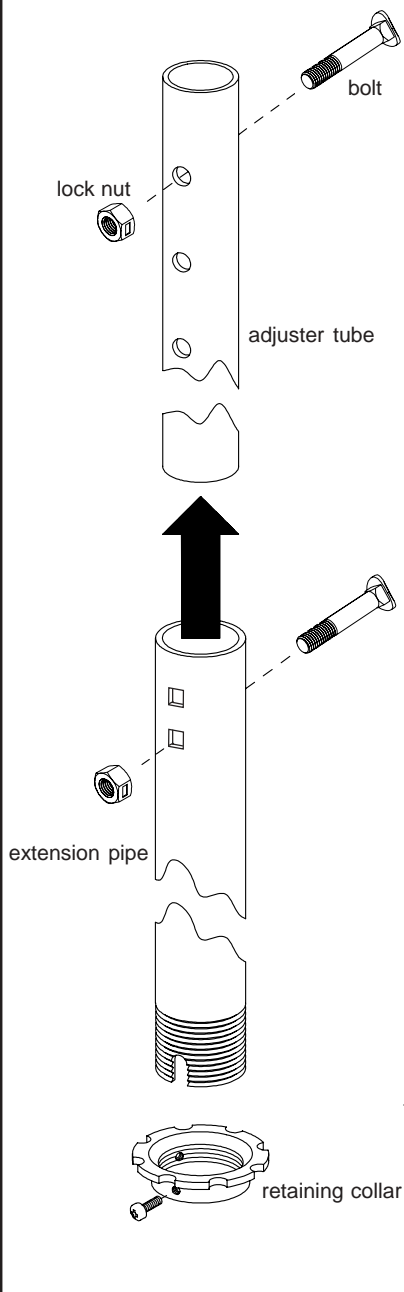


Architects specifications:

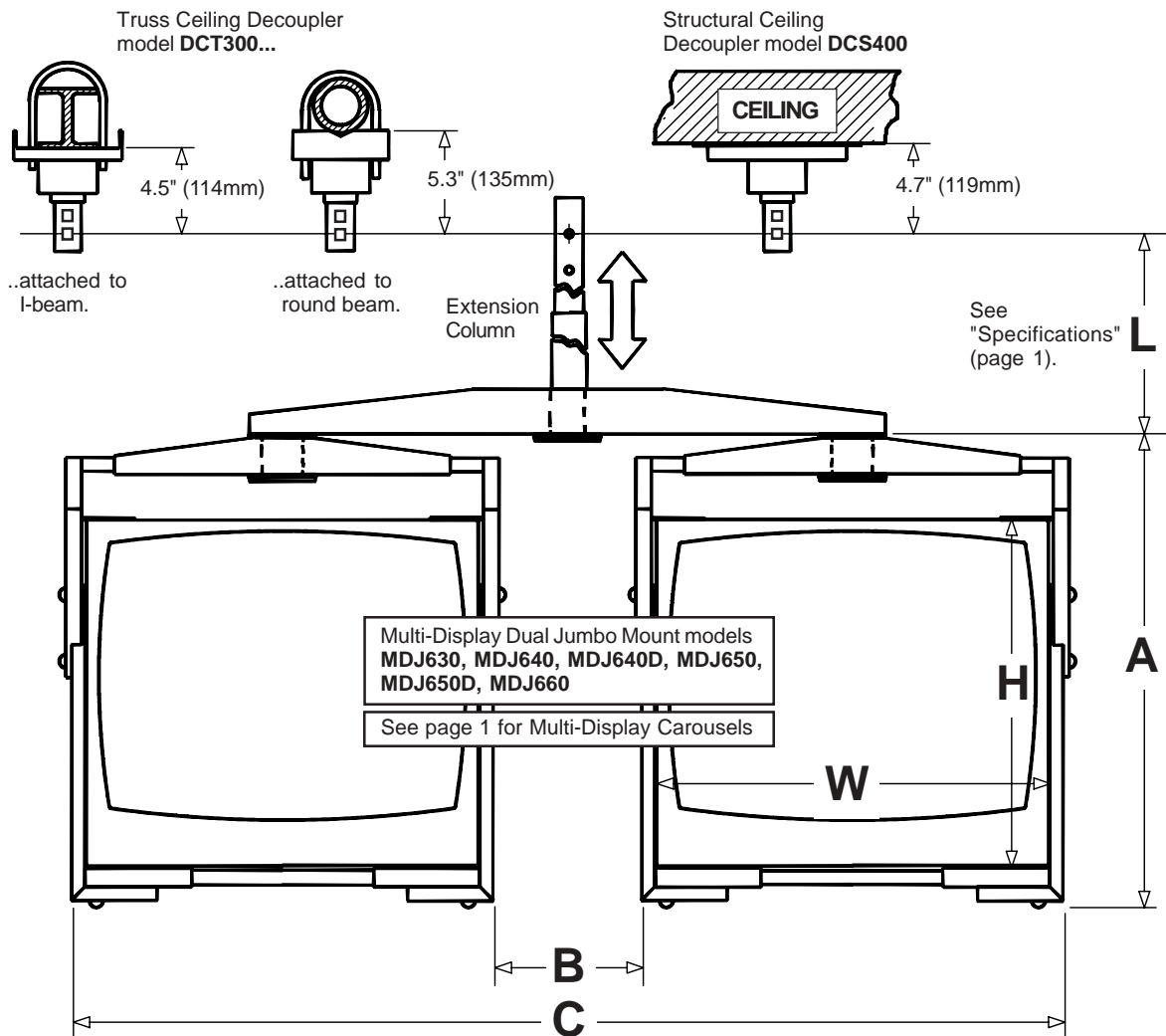
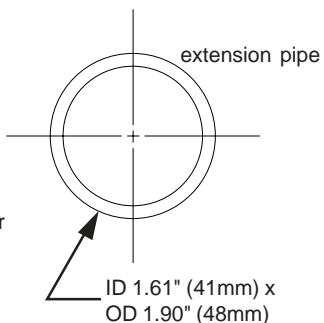
The extension column shall be a Peerless model ADD_____. It shall offer a ___ inch range of height adjustment at 1" increments. It shall be constructed of steel tubing and finished in scratch resistant black fused epoxy. It shall be UL Listed. Assembly and installation shall be done according to the instructions provided by the manufacturer.

EXTENSION COLUMN FOR MULTI-DISPLAY MOUNTS

The "tube in tube" design of the Adjustable Extension Column allows it to be adjusted, within its specified range, at 1 inch (25mm) increments. Two bolts and two lock nuts are provided. One locks the extension column securely to the ceiling decoupler. The other securely locks the two tubes together at the desired length. The retaining collar is used to attach the Multi-Display Carousel or Multi-Display Dual Jumbo Mount to the end of the extension Pipe.



TOP VIEW



Multi-Display Dual Jumbo Mount models
MDJ630, MDJ640, MDJ640D, MDJ650,
MDJ650D, MDJ660
See page 1 for Multi-Display Carousels

Note: For dimensions A, B, C, H and W see TD Sheet for Multi-Display Dual Jumbo Mount .

The Extension Column for Multi-Display Mounts is one of three elements required for Multi-Display Ceiling Mount installations. It is available in several lengths which are adjustable at 1" increments (see specifications, page1). Multi-Display Carousels, Multi-

Display Dual Jumbo Mounts, Structural Ceiling Decoupler, and Truss Ceiling Decoupler are sold separately. For additional information see Technical Data Sheets for these products.