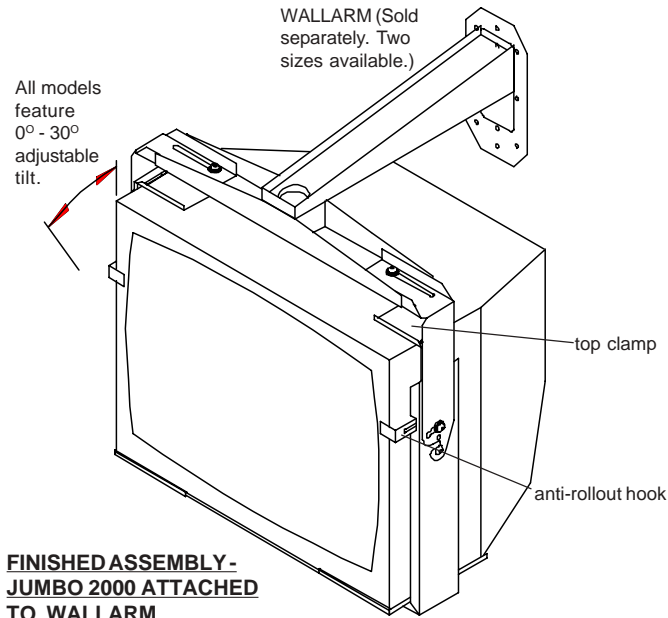


MODELS: JM 2630, JM 2630S, JM 2640, JM 2640S, JM 2640D, JM 2640DS, JM 2650, JM 2650S, JM 2650D, JM 2650DS, JM 2655, JM 2655S, JM 2660, JM 2660S, JM 2665, JM 2665S, JM 2670, JM 2670S, JM 2675, JM 2675S



The **Jumbo Mount 2000™** is a yoke style TV Mount which surrounds and clamps the TV or monitor. Several models are available for 13" (330 mm) to 42" (1067 mm) diagonal TVs and monitors. For a complete installation a ceiling plate or wallarm must also be ordered.

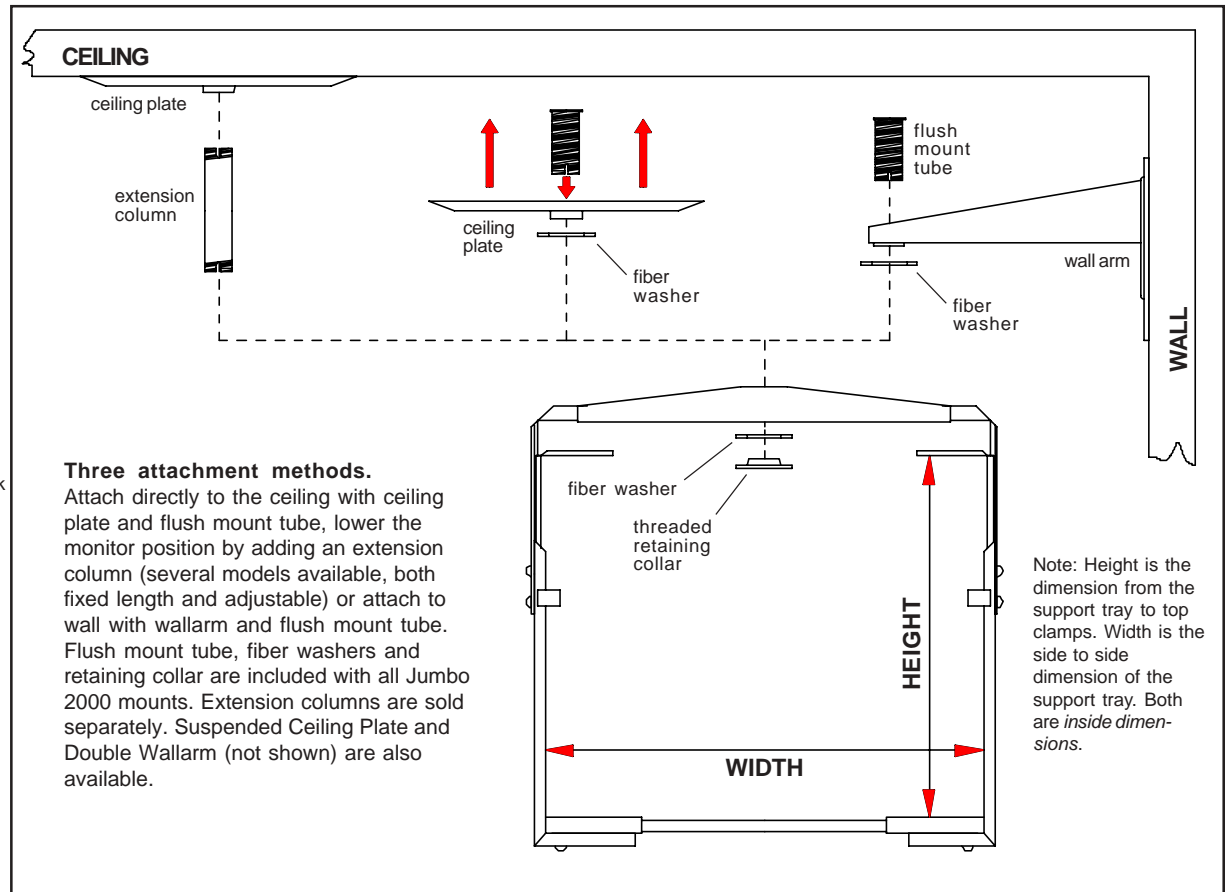
**JUMBO 2000**

- Adjustable tilt - 0° - 30°
- Heavy gauge steel construction
- Scratch resistant black or silver fused epoxy finish
- Design surrounds and clamps the TV for maximum stability
- Models available for 13" to 42" TVs
- Hardware for attachment to mounting fixture (wallarm or ceiling plate) included
- Security fasteners available (accessory #ACC502)
- Safety belt available (accessory #ACC666)

For dimensions, weight, and shipping weight see page 2.

**Architects specifications:**

The Television Mounting Bracket shall be a Peerless model \_\_\_\_\_ and shall be mounted where indicated on the plans. It shall feature adjustable height and width with top clamp and hook rollout protection devices. It shall be constructed primarily of 14 gauge cold rolled steel and finished in black or silver fused epoxy. It shall be U.L. Listed. Assembly and installation shall be done according to the instructions provided by the manufacturer.



**Security**

**Fastener Kit**

Each Jumbo 2000 is assembled with M10 socket head screws. For added security order **ACC 502 or ACC 502S** M10 Penta-pin™ security screw kit.



**TECHNICAL DATA SHEET  
JUMBO 2000™**

**Peerless Industries, Inc.**

3215 W. North Ave. phone: (708)865-8870  
 Melrose Park, IL 60160 fax: (708)865-2941  
 www.peerlessindustries.com

ISSUED: 6-3-98 SHEET NO:128-9550-7 07-28-04

MODELS: JM 2630, JM 2630S, JM 2640, JM 2640S, JM 2640D, JM 2640DS, JM 2650, JM 2650S, JM 2650D, JM 2650DS, JM 2655, JM 2655S, JM 2660, JM 2660S, JM 2665, JM 2665S, JM 2670, JM 2670S, JM 2675, JM 2675S

**JUMBO 2000 SPECIFICATIONS**

Jumbo 2000 mount		TV / Monitor			Product Peerless rated when attached to...							
Weight	Shipping Weight	Model Number	INSIDE DIMENSIONS		Support Tray Depth	Diagonal Screen Size	Screen Aspect Ratio	Wall Arm WMJ 018 WMJ 018S	Wall Arm WMJ 022 WMJ 022S	Double Wall Arm WMJ025H WMJ 025HS	Suspended Ceiling Kit CMJ450	Ceiling Plate CMJ470, CMJ480, CMJ490
			Width	Height								
20 lb (9 kg)	22 lb (10 kg)	<b>JM 2630, JM 2630S</b>	13.5" - 21" (343 mm) (533 mm)	11.4" - 17.7" (290 mm) (450 mm)	10" (254 mm)	13" - 17" (330 mm) (432 mm)	standard	150 lb (65 kg)	150 lb (65 kg)	300 lb (137 kg)	250 lb (113 kg)	300 lb (137 kg)
22 lb (10 kg)	24.1 lb (10.9 kg)	<b>JM 2640, JM 2640S</b>	18" - 26" (457 mm) (660 mm)	14.2" - 20.4" (361 mm) (518 mm)	10" (254 mm)	19" - 21" (483 mm) (533 mm)	standard	150 lb (65 kg)	150 lb (65 kg)	300 lb (137 kg)	250 lb (113 kg)	300 lb (137 kg)
25 lb (11.4 kg)	27 lb (12 kg)	<b>JM 2640D, JM 2640DS</b>	18" - 26" (457 mm) (660 mm)	14.2" - 20.4" (361 mm) (518 mm)	14" (356 mm)	19" - 21" (483 mm) (533 mm)	standard	150 lb (65 kg)	150 lb (65 kg)	300 lb (137 kg)	250 lb (113 kg)	300 lb (137 kg)
24 lb (10.9 kg)	26 lb (12 kg)	<b>JM 2650, JM 2650S</b>	24" - 31" (610 mm) (787 mm)	19.2" - 25.4" (488 mm) (645 mm)	10" (254 mm)	25" - 28" (635 mm) (711 mm)	standard	*	150 lb (65 kg)	300 lb (137 kg)	250 lb (113 kg)	300 lb (137 kg)
29 lb (13.2 kg)	30.6 lb (13.9 kg)	<b>JM 2650D, JM 2650DS</b>	24" - 31" (610 mm) (787 mm)	19.2" - 25.4" (488 mm) (645 mm)	14" (356 mm)	25" - 28" (635 mm) (711 mm)	standard	*	150 lb (65 kg)	300 lb (137 kg)	250 lb (113 kg)	300 lb (137 kg)
28 lb (12.7 kg)	30 lb (14 kg)	<b>JM 2655, JM 2655S</b>	24" - 31" (610 mm) (787 mm)	14.2" - 20.4" (361 mm) (518 mm)	14" (356 mm)	25" - 28" (635 mm) (711 mm)	wide	*	150 lb (65 kg)	300 lb (137 kg)	250 lb (113 kg)	300 lb (137 kg)
37 lb (16.8 kg)	39 lb (18 kg)	<b>JM 2660, JM 2660S</b>	29" - 36" (737 mm) (914 mm)	24.2" - 30.4" (614 mm) (772 mm)	14" (356 mm)	30" - 35" (762 mm) (889 mm)	standard	*	150 lb (65 kg)	300 lb (137 kg)	250 lb (113 kg)	300 lb (137 kg)
35 lb (15.9 kg)	37 lb (17 kg)	<b>JM 2665, JM 2665S</b>	29" - 36" (737 mm) (914 mm)	19.2" - 25.4" (488 mm) (645 mm)	14" (356 mm)	27" - 35" (686 mm) (889 mm)	wide	*	*	300 lb (137 kg)	250 lb (113 kg)	300 lb (137 kg)
40 lb (18.6 kg)	42 lb (19 kg)	<b>JM 2670, JM 2670S</b>	34" - 41.25" (864 mm) (1048 mm)	29.2" - 35.4" (742 mm) (900 mm)	14" (356 mm)	37" - 42" (940 mm) (1067 mm)	standard	*	*	300 lb (137 kg)	250 lb (113 kg)	300 lb (137 kg)
38 lb (17.3 kg)	41 lb (18 kg)	<b>JM 2675, JM 2675S</b>	34" - 41.25" (864 mm) (1048 mm)	24.2" - 30.4" (615 mm) (772 mm)	14" (356 mm)	35" - 42" (889 mm) (1067 mm)	wide	*	*	300 lb (137 kg)	250 lb (113 kg)	300 lb (137 kg)

**WARNING: WEIGHT OF TV or MONITOR NOT TO EXCEED MAXIMUM LOAD CAPACITY (PEERLESS RATED)!**

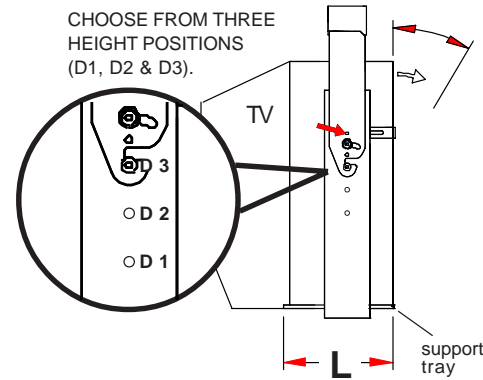
\*not compatible

**Note:** 150 lb (65 kg) load capacity is for CONCRETE WALL INSTALLATIONS. Load capacity is reduced to 125 lb (57 kg) if wall arm is attached to wood stud wall.

<b>JM 2630, JM 2630S</b>	<b>Product is UL rated up to 17" TV, per attached chart.</b>
<b>JM 2640, JM 2640S, JM 2640D, JM 2640DS</b>	<b>Product is UL rated up to 21" TV, per attached chart.</b>
<b>JM 2650, JM 2650S, JM 2650D, JM 2650DS, JM 2655, JM 2655S</b>	<b>Product is UL rated up to 27" TV, per attached chart.</b>
<b>JM2660, JM 2660S, JM2665, JM 2665S</b>	<b>Product is UL rated up to 35" TV, per attached chart.</b>
<b>JM 2670, JM 2670S, JM 2675, JM 2675S</b>	<b>Product is UL rated up to 40" TV, per attached chart.</b>

MODELS: JM 2630, JM 2630S, JM 2640, JM 2640S, JM 2640D, JM 2640DS, JM 2650, JM 2650S, JM 2650D, JM 2650DS, JM 2655, JM 2655S, JM 2660, JM 2660S, JM 2665, JM 2665S, JM 2670, JM 2670S, JM 2675, JM 2675S

Model Number	Height Range (H)	Drop (D)
JM 2630, JM 2630S	(D1) 11.4 - 13.5 (290-343) (D2) 13.5 - 15.6 (343-396) (D3) 15.6 - 17.7 (396-450)	19.35 (491) 21.35 (542) 23.35 (593)
JM 2640, JM 2640S JM 2640D, JM 2640DS, JM 2655, JM 2655S	(D1) 14.2 - 16.2 (361-412) (D2) 16.3 - 18.3 (412-465) (D3) 18.4 - 20.4 (467-518)	21.15 (537) 23.15 (588) 25.15 (639)
JM 2650D, JM 2650DS, JM 2650, JM 2650S	(D1) 19.2 - 21.2 (488-539) (D2) 21.3 - 23.3 (541-592) (D3) 23.4 - 25.4 (594-645)	26.55 (674) 28.55 (725) 30.55 (776)
JM 2660, JM 2660S, JM 2675, JM 2675S, JM 2665, JM 2665S	(D1) 24.2 - 26.2 (615-665) (D2) 26.3 - 28.3 (668-719) (D3) 28.4 - 30.4 (721-772)	35.3 (897) 37.3 (947) 39.3 (998)
JM 2670, JM 2670S	(D1) 29.2 - 31.2 (742-792) (D2) 31.3 - 33.3 (795-846) (D3) 33.4 - 35.4 (848-899)	40.3 (1024) 42.3 (1074) 44.3 (1125)



**SIDE VIEW-  
JUMBO 2000  
WITH TV**

