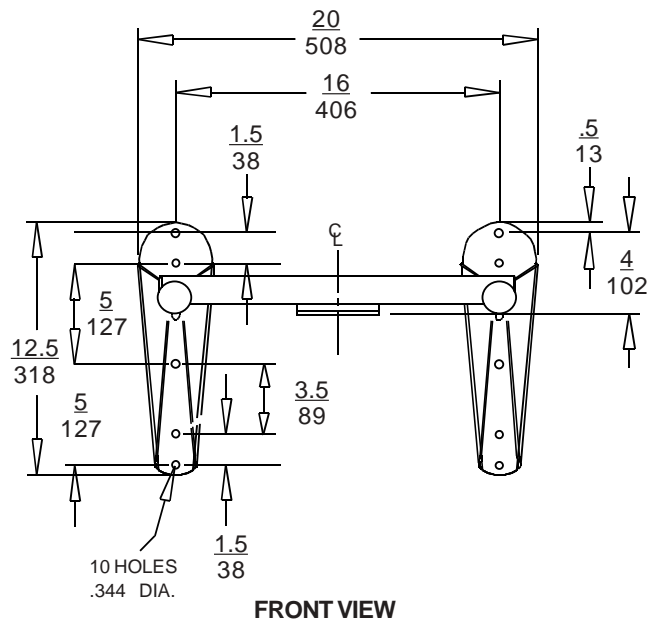
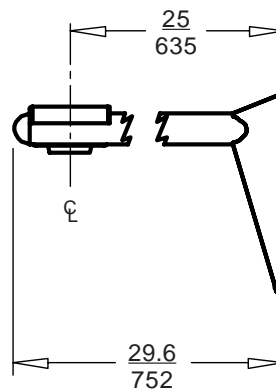


See page 2 for specifications / Jumbo Mount compatibility.

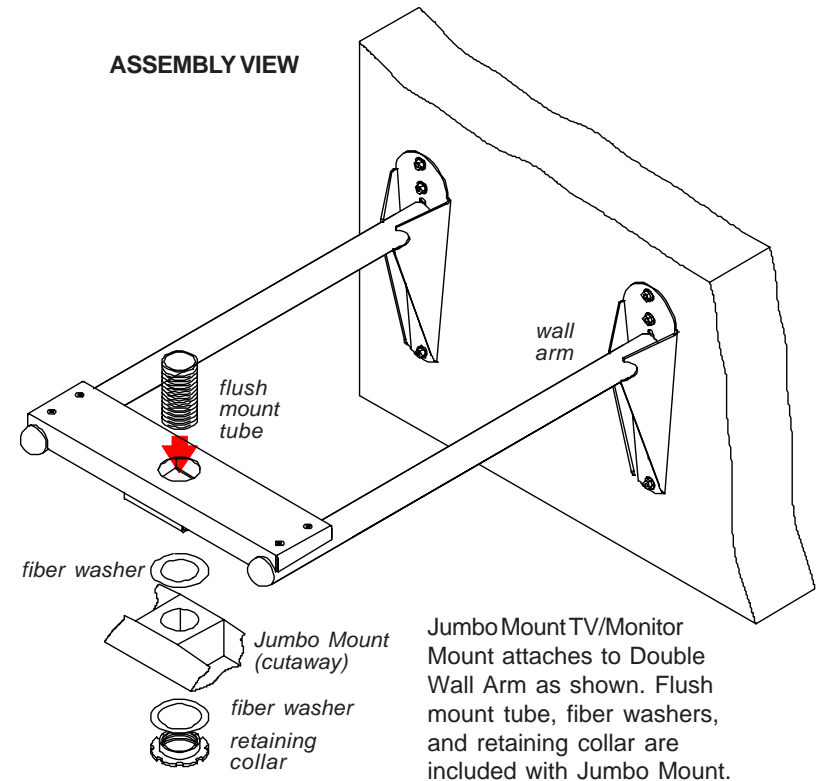
ALL DIMENSIONS: $\frac{\text{INCH}}{\text{MM}}$ CL = CENTER LINE



FRONT VIEW



SIDE VIEW



JumboMount TV/Monitor Mount attaches to Double Wall Arm as shown. Flush mount tube, fiber washers, and retaining collar are included with Jumbo Mount.



This product is UL Listed. It must be installed by a qualified professional installer.

Architects specifications:

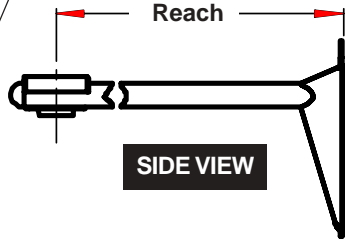
The Double Wall Arm shall be a Peerless model _____ and shall be attached where indicated on the plans. It shall have a 1 1/2 - 11.5 NPS threaded fitting to accept a Peerless flush mount tube. It shall be constructed of heavy gauge cold rolled steel and steel tubing, and finished in black or silver fused epoxy. Assembly and installation shall be done according to the instructions provided by the manufacturer.

**TECHNICAL DATA SHEET
DOUBLE WALL ARM FOR JUMBO MOUNTS**

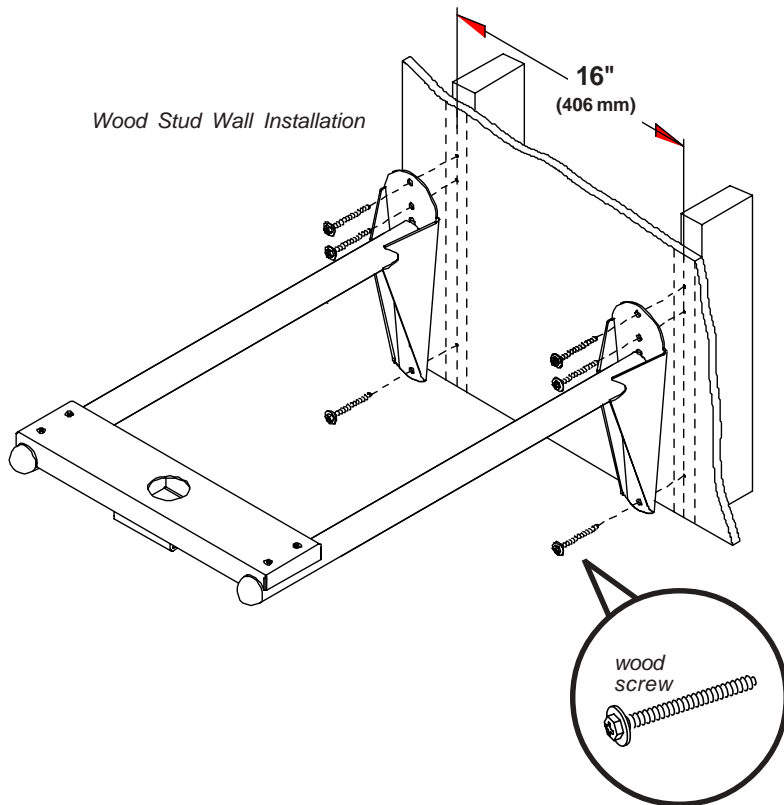
Peerless Industries, Inc.

3215 W. North Ave.
Melrose Park, IL 60160
www.peerlessindustries.com

phone: (708) 865-8870
fax: (708) 865-2941

DOUBLE WALL ARM FOR JUMBO MOUNTS - SPECIFICATIONS						
Weight	Shipping Weight	Model Number	Reach	Max. Load Capacity		Compatible Jumbo Mount Models
				Concrete	Wood	
16 lb (7 kg)	18 lb (8 kg)	WMJ 025H WMJ 025HS	25" (635 mm)	300 lb (137kg)	300 lb (137kg)	<p>Double Wall Arm is compatible with all Jumbo Mounts. Recommended for models JM 2655, JM 2655S, JM 2660, JM 2660S, JM 2665, JM 2665S, JM 2670, JM 2670S, JM 2675, and JM 2675S.</p>  <p>REACH</p> <p>SIDE VIEW</p>

WARNING: WEIGHT OF TV or MONITOR NOT TO EXCEED MAXIMUM LOAD CAPACITY!



Double Wall Arm includes six wood screws (left) for attachment to a wood stud wall. Wood studs must be on 16" (406 mm) centers. For attachment to a concrete wall **two** accessory fastener kits **ACC 205** (each kit contains three concrete anchors) must be ordered.

