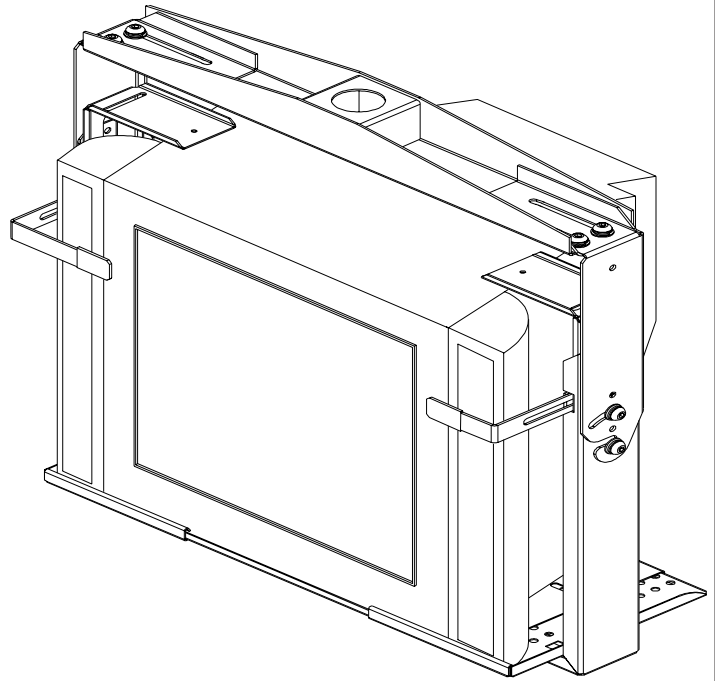


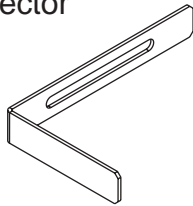
The Oversized Roll-Out protectors may be used in place of the standard roll-out protectors provided with all Jumbo 2000 mounts to provide a more secure fit. For TV's with side mounted speaker for example, the longer roll-out protector will ensure that the protector can securely grip the TV cabinet rather than the speaker.

Features:

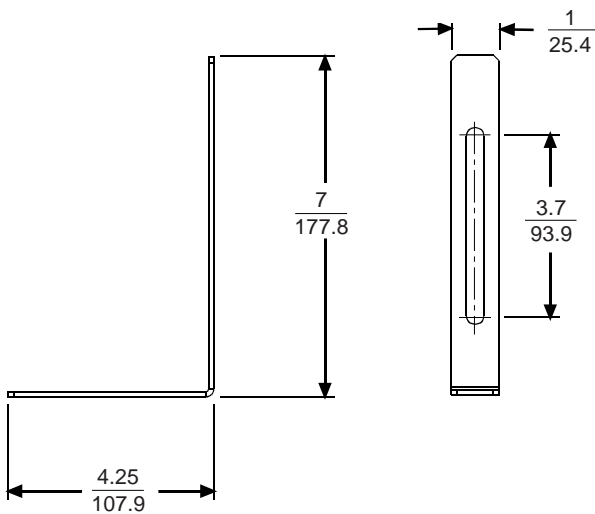
- Heavy gauge cold rolled steel construction.
- Scratch resistant black or silver fused epoxy finish.
- Plastic sleeve on roll out protector protects TV cabinet.
- Provides 4.25" to grip front of cabinet.



Oversized Roll-out Protector



Plastic sleeve



All dimensions: inch (mm)
unless otherwise specified

Weight	Shipping Weight
.3 lb (.1 kg)	1 lb (.5 kg)

ARCHITECTS SPECIFICATIONS

The Oversized Roll-Out Protector shall be a Peerless model _____ and shall be located where indicated on the plans. It shall be constructed of heavy 12 gauge cold rolled steel. The finish shall be scratch resistant black or silver fused epoxy. Assembly and installation shall be done according to instructions provided by the manufacturer.



Peerless Industries, Inc. 3215 W. North Ave. Melrose Park, IL 60160
708-865-8870 800-865-2112 Fax 708-865-2941 www.peerlessindustries.com

TECHNICAL DATA SHEET

OVERSIZED ROLL-OUT PROTECTOR

Issued: 01-23-01 Sheet No. 128-9560-2 08-24-04