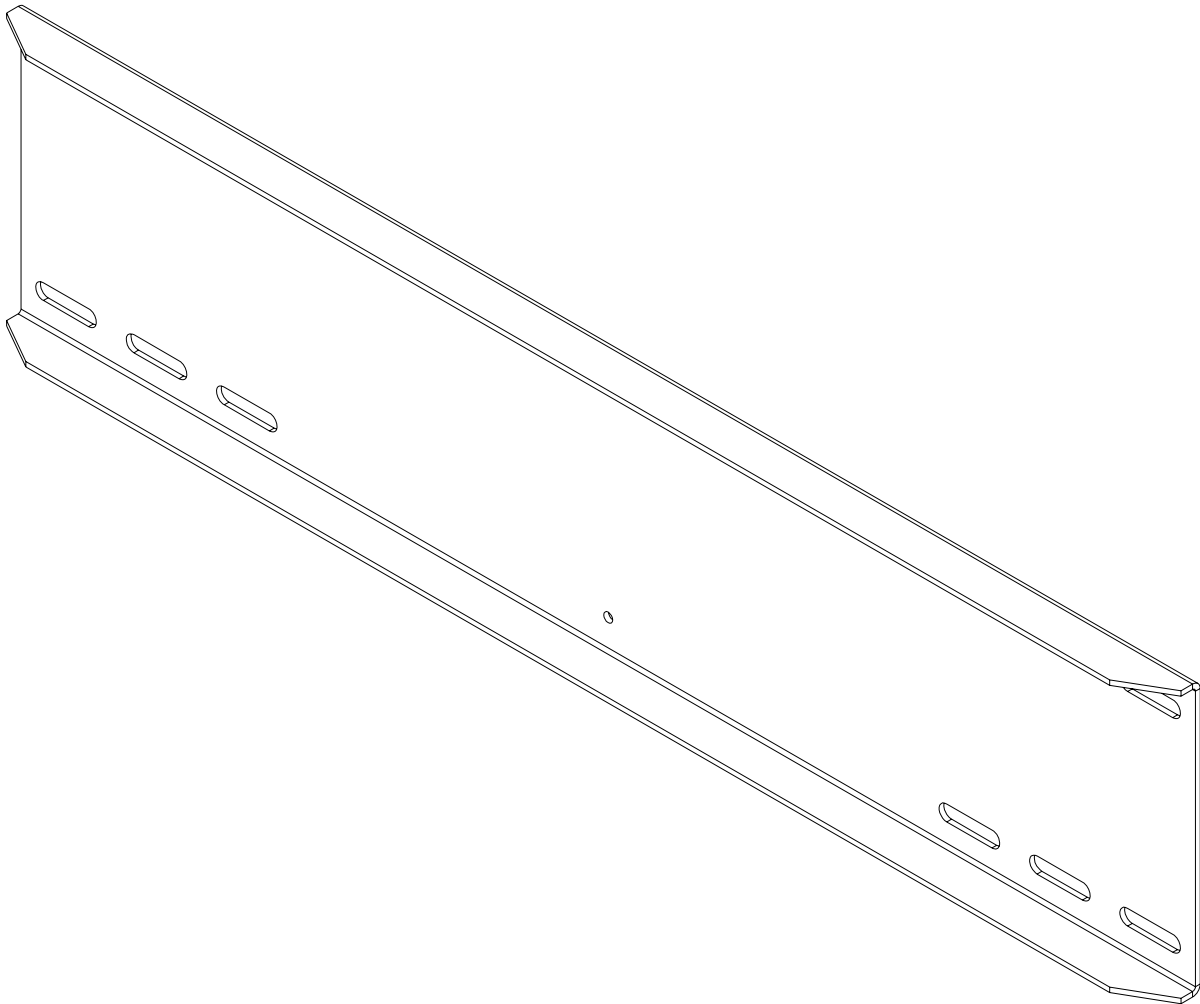


Installation and Assembly: External Wall Plate

Model: WSP 490, WSP 490-S



Max Load Capacity: 80 lb (36.3 kg)

Note: Read entire instruction sheet before you start installation and assembly.

WARNING

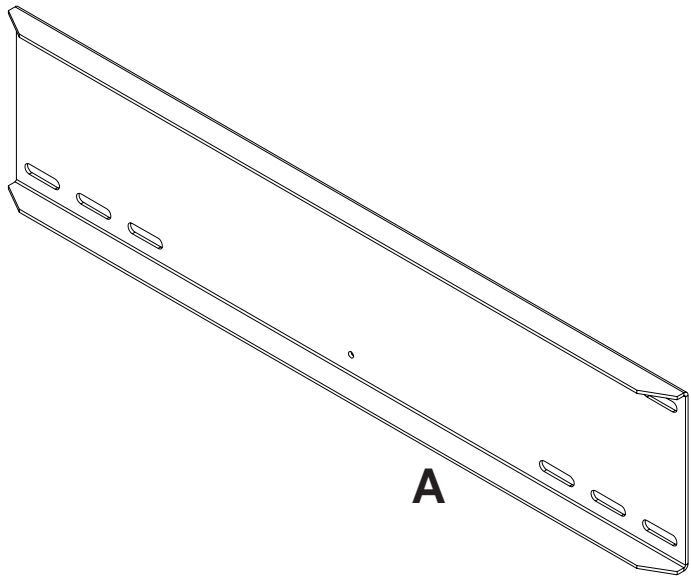
- Do not begin to install your Peerless product until you have read and understood the instructions and warnings contained in this Installation Sheet. If you have any questions regarding any of the instructions or warnings, please call Peerless customer care at 1-800-729-0307.
- This product should only be installed by a qualified professional.
- Make sure that the supporting surface will safely support the combined load of the equipment and all attached hardware and components.
- Never exceed the Maximum Load Capacity of 80 lb (36.3 kg).
- Always use an assistant or mechanical lifting equipment to safely lift and position equipment.
- Tighten screws firmly, but do not overtighten. Overtightening can damage the items, greatly reducing their holding power.

Tools Needed for Assembly

- stud finder ("edge to edge" stud finder is recommended)
- phillips screwdriver
- drill with 1/2" drill bit

For customer care call (800) 729-0307 or (708) 865-8870.

Description	Qty.	WSP 490	WSP 490-S
		Part #	Part #
A wall plate	1	024-1041	024-2041
B 1/4-20 x .5" flat head phillips screw	2	520-1209	520-2178
C toggler	4	560-9708	560-9708
D 1/4-20 x 2.5" phillips screw	4	520-9521	520-9522
E washer	4	540-9440	540-9444

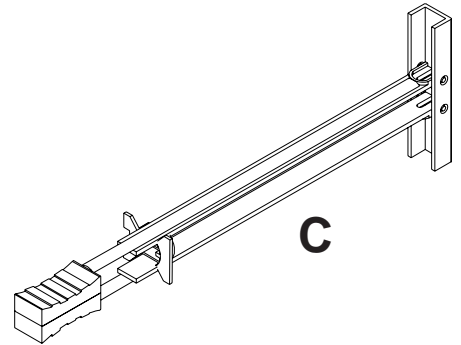


A

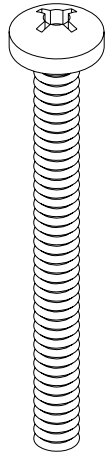


B

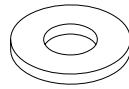
Note: Screws (B) are used to attach mount to wall plate.



C



D



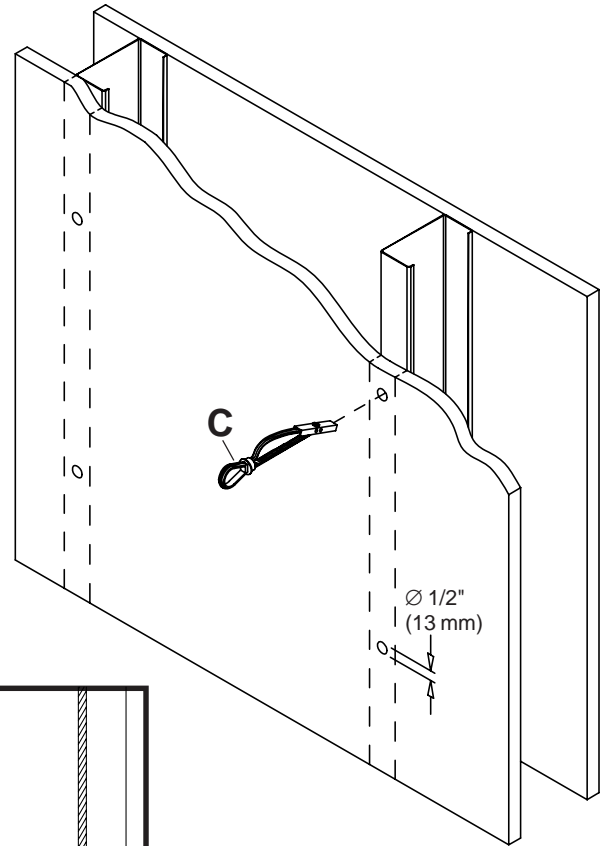
E

⚠ WARNING

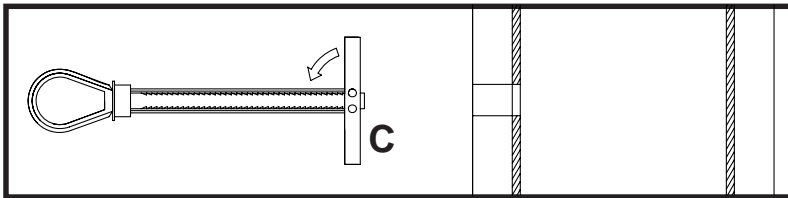
- Make sure that mounting screws are anchored into the center of the studs. The use of an "edge to edge" stud finder is highly recommended.

1 **Note:** Wall plate (A) can be mounted on 24", 20", or 16" centers.

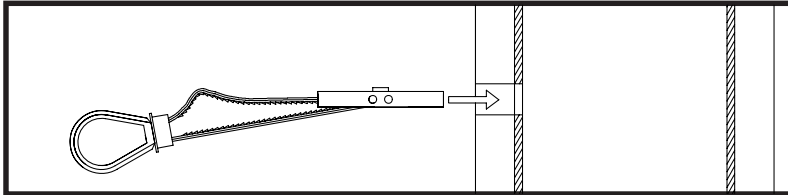
Using a stud finder, locate and mark the edges of the metal stud used in mounting this product. Use of an edge to edge stud finder is highly recommended. Use a level to draw a vertical line down the center of the stud. Use wall plate (A) as template to mark center of slots along the vertical line. Drill four 1/2" (13 mm) dia. holes through drywall and studs. Insert togglers (C) as shown below.



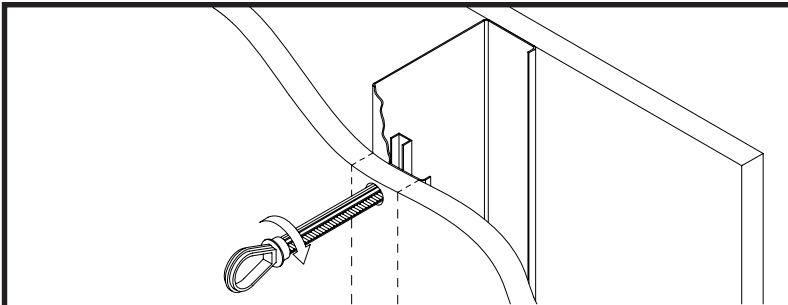
Pivot end of toggler.



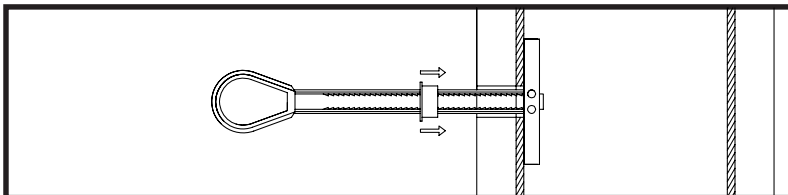
Push into hole.



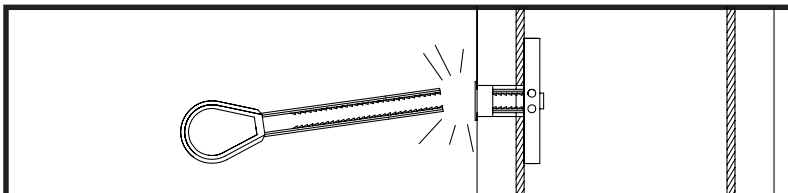
Rotate toggler clockwise to wedge it against inside walls of metal stud.



Slide plastic cap forward while pulling back firmly on ring.



Break off excess.



⚠ WARNING

- Make sure that the supporting surface will safely support the combined load of the equipment and all attached hardware and components.

2 Attach wall plate (A) to togglers (C) with 1/4-20 x 2.5" flat head phillips screws (D), and washers (E).

