

Installation and Assembly - Fixed Length Extension Columns

IMPORTANT! Read entire instruction sheet before beginning installation and assembly.

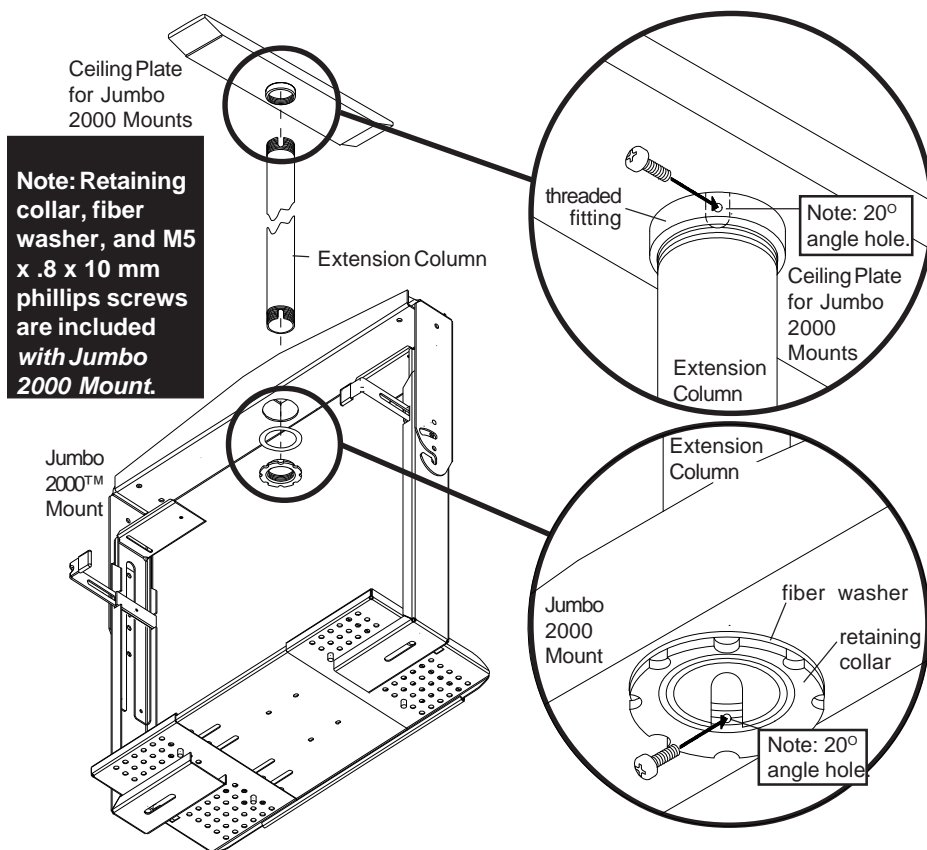
⚠ WARNING

- For a safe installation be sure to lock extension column and retaining collar as instructed.

Models: EXT 006, EXT 006S, EXT 018, EXT 018S, EXT 101, EXT 101S, EXT 102, EXT 102S, EXT 103, EXT 103S, EXT103W, EXT 104, EXT 104S, EXT 105, EXT 105S, EXT 106, EXT 106S, EXT 107, EXT 107S, EXT 108, EXT 108S, EXT 109, EXT 109S, EXT 110, EXT 110S



This product is intended for use with UL Listed products and must be installed by a qualified professional installer.



- 1** Thread extension column into threaded fitting in ceiling plate. Tighten securely - four or five complete turns. Align slot with one hole in side of threaded fitting. Lock extension column with one M5 x .8 x 10 mm phillips screw.

⚠ WARNING

- For safety extension column must be locked to threaded fitting with screw!

- 2** Insert Jumbo 2000 Mount onto end of extension column followed by fiber washer and retaining collar. Tighten retaining collar securely - four or five complete turns. Align one hole in side of retaining collar with slot. Lock with one M5 x .8 x 10 mm phillips screw.

⚠ WARNING

- For safety retaining collar must be locked to extension column with screw!