

IMPORTANT! Read entire instruction sheet before you start installation and assembly.



This product is intended for use with UL Listed products and must be installed by a qualified professional installer.

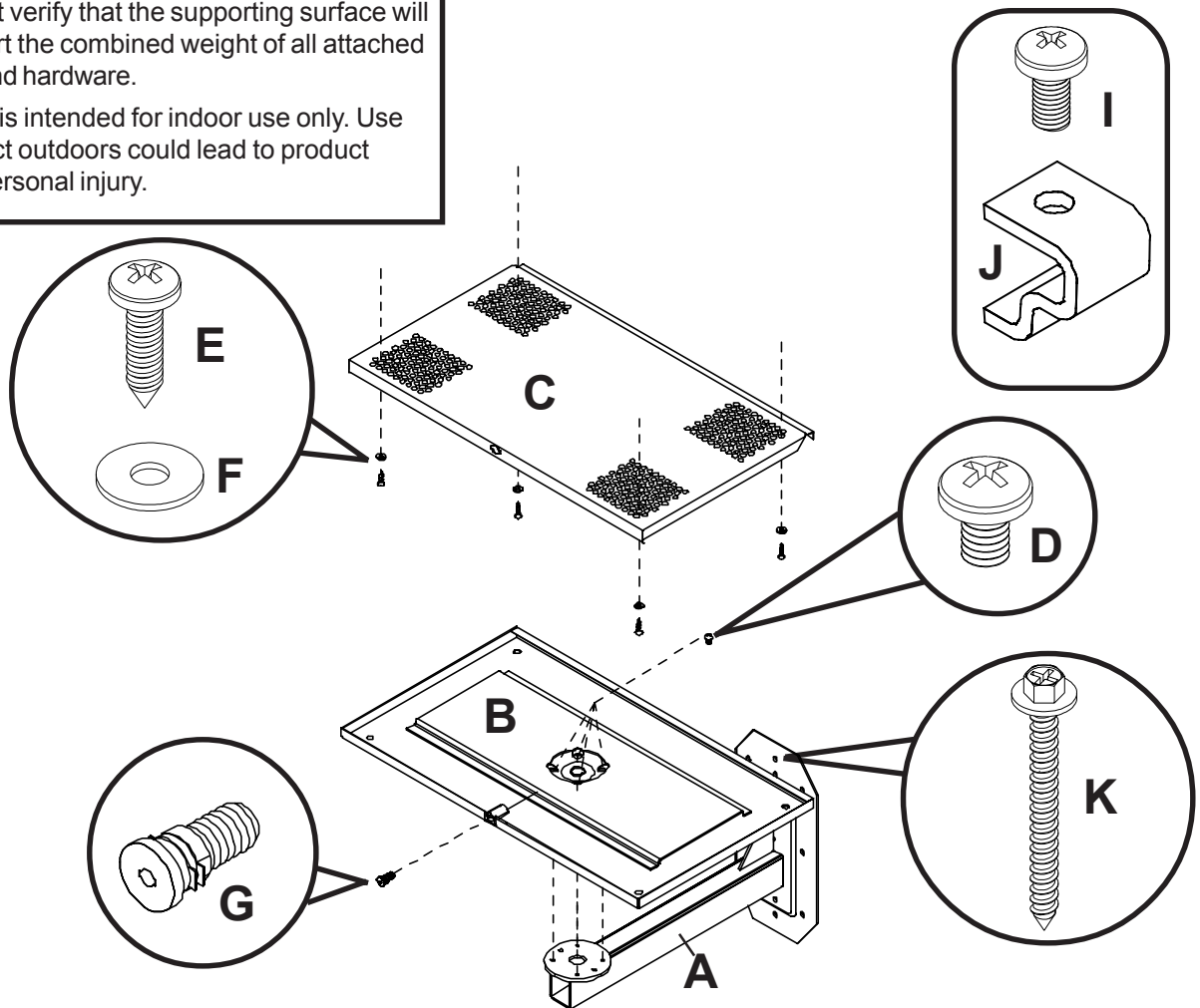
Product is UL rated up to 20" TV, 125 lbs.

Parts List			Parts List		
PART #	QTY.	DESCRIPTION	PART #	QTY.	DESCRIPTION
A	2141-376	1 Wall Arm	G	3022-502	1 Lock Plug
B	120-0015-1	1 Lower Tray (LWB 530 only)	H	0000-322	1 Key (not shown)
	120-0002	1 Lower Tray (LWB 530T only)	I	520-9250	4 M5 x .8 x 10 mm Phillips Screw
C	1436-373	1 Upper Tray (LWB 530 & 530T only)	J	2245-081	4 Uni-Clip
D	510-9107	4 1/4-20 x 3/8" Phillips Screw	K	5S1-015-CO3	3 #14 x 2.5 Wood Screw
E	500-9006	4 #10 Phillips Particle Board Screw	*L	520-9504	2 M5 x .8 x 6 mm Phillips Screw (LWB 530 only)
F	540-9400	4 Small Flat Washer			

Some parts may appear slightly different than illustrated.

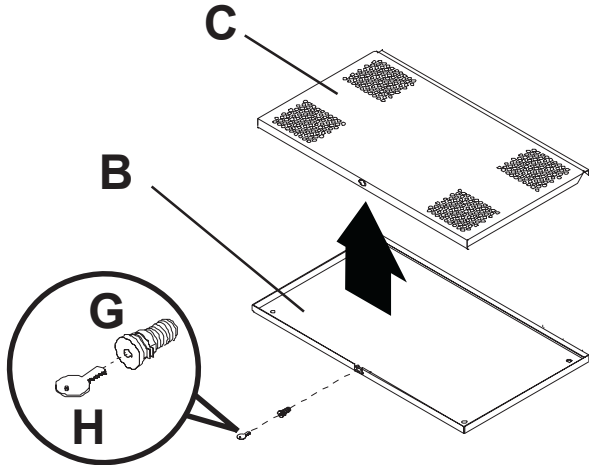
⚠ WARNING

- Installer must verify that the supporting surface will safely support the combined weight of all attached equipment and hardware.
- This product is intended for indoor use only. Use of this product outdoors could lead to product failure and personal injury.

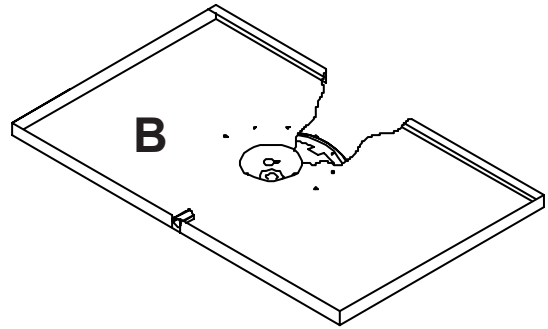


* Note: Steps 2 and 3, page 2, apply to model LWB 530 only. If installing LWB 530T begin with step 4.

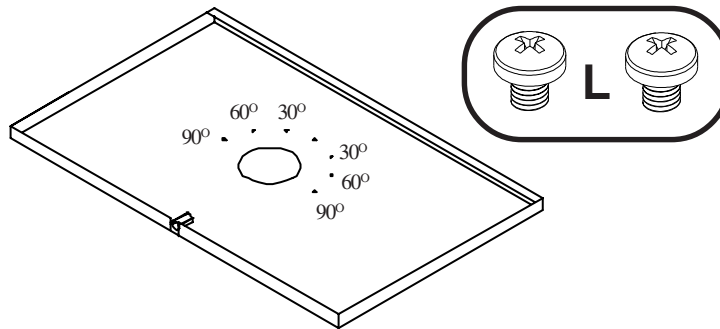
- 1** Insert key (H) into lock plug (G) and unscrew to separate lower tray (B) and upper tray (C).



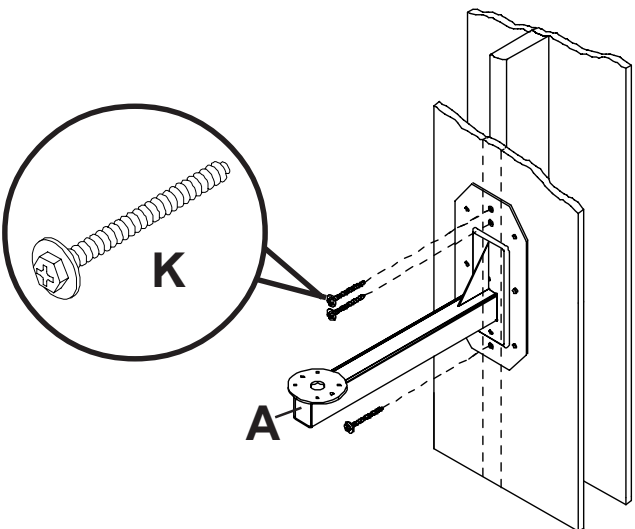
- 2** Make sure that swivel race tab on lower tray (B) is positioned as shown.



- 3** OPTIONAL: Install two M5 x .8 x 6 mm phillips screws (L) into swivel restriction holes. Swivel stop positions are noted next to each hole.



- 4** Skip to step 5 if attaching to a concrete wall.
For attachment to a wood stud wall drill three 5/32" (4 mm) dia. holes 2 1/2" (65 mm) deep into stud centers. Attach wall arm (A) with #14 x 2.5" wood screws (K).



⚠ WARNING

- Tighten wood screws so that wall plate is firmly attached, but do not overtighten. Overtightening can damage the screws, greatly reducing their holding power.
- Never tighten in excess of 80 in • lb (9 N.M.).
- Make sure that mounting screws are anchored into the center of the studs. The use of an "edge to edge" stud finder is highly recommended.

Skip to step 6.

⚠ WARNING

- When installing Peerless wall mounts on cinder block, verify that you have a minimum of 1-3/8" of actual concrete surface in the hole to be used for the concrete anchors. Do not drill into mortar joints! Be sure to mount in a solid part of the block, generally 1" minimum from the side of the block. Cinder block must meet ASTM C-90 specifications. It is suggested that a standard electric drill on slow setting is used to drill the hole instead of a hammer drill to avoid breaking out the back of the hole when entering a void or cavity.
- Concrete must be 2000 psi density minimum. Lighter density concrete may not hold concrete anchor.
- Make sure that the supporting surface will safely support the combined load of the equipment and all attached hardware and components.

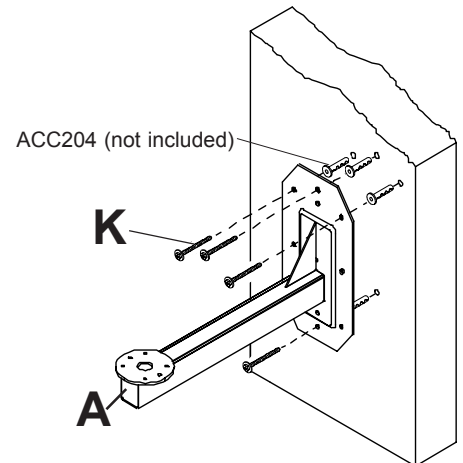
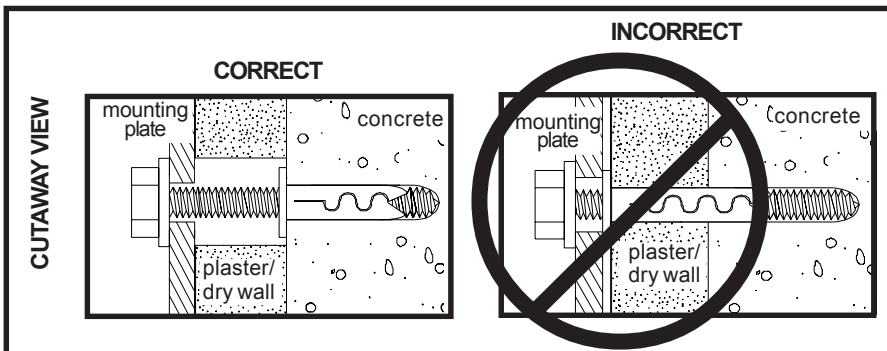
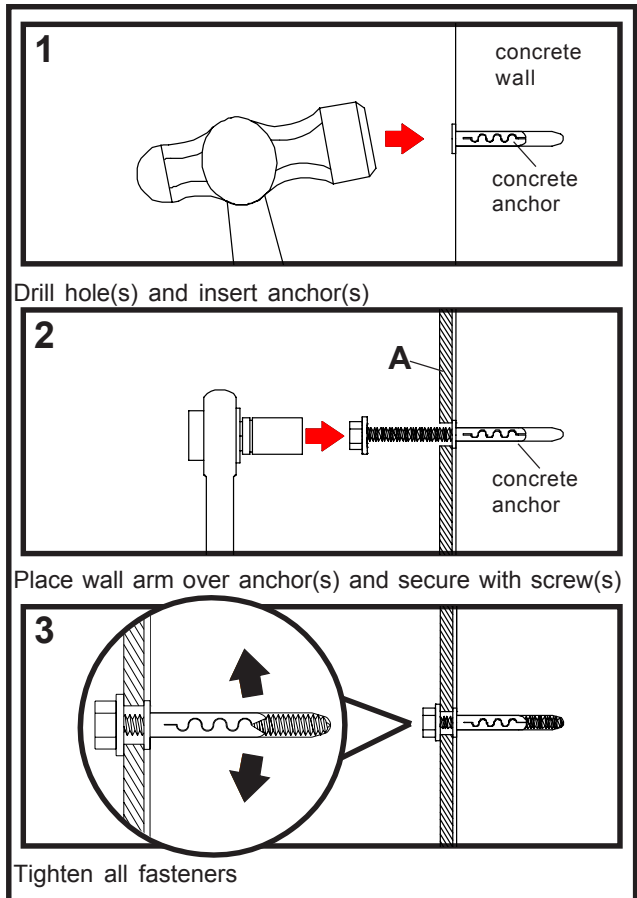
5 For Concrete walls use wall arm, making sure that it is level, as a template to mark holes. Drill 1/4" (6 mm) dia. holes to a minimum depth of 2.5" (64 mm). Concrete must be 2000 psi density minimum. Insert anchors (**ACC 204 sold separately**) in holes flush with wall as shown (right). Place mounting plate over anchors and secure with #14 x 2.5" wood screws (**K**). Tighten all fasteners.

⚠ WARNING

- Tighten concrete anchor bolts firmly, but do not overtighten. Overtightening can damage the bolts, greatly reducing their holding power.
- Never tighten in excess of 80 in • lb (9 N.M.).

⚠ WARNING

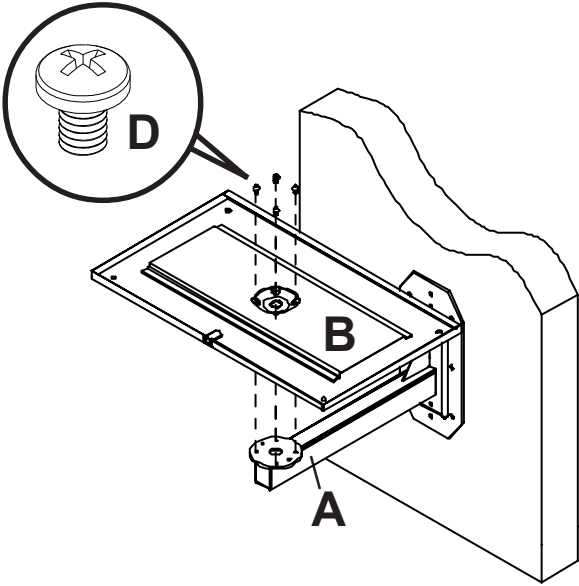
- Concrete anchors are **not** intended for attachment to concrete wall covered with a layer of plaster, drywall, or other finishing material. If mounting to concrete wall covered with plaster/drywall is unavoidable (not evaluated by UL), plaster/drywall (up to 5/8" thick) must be counterbored as shown below. If plaster/drywall is thicker than 5/8", custom fasteners must be supplied by installer (not evaluated by UL).



6

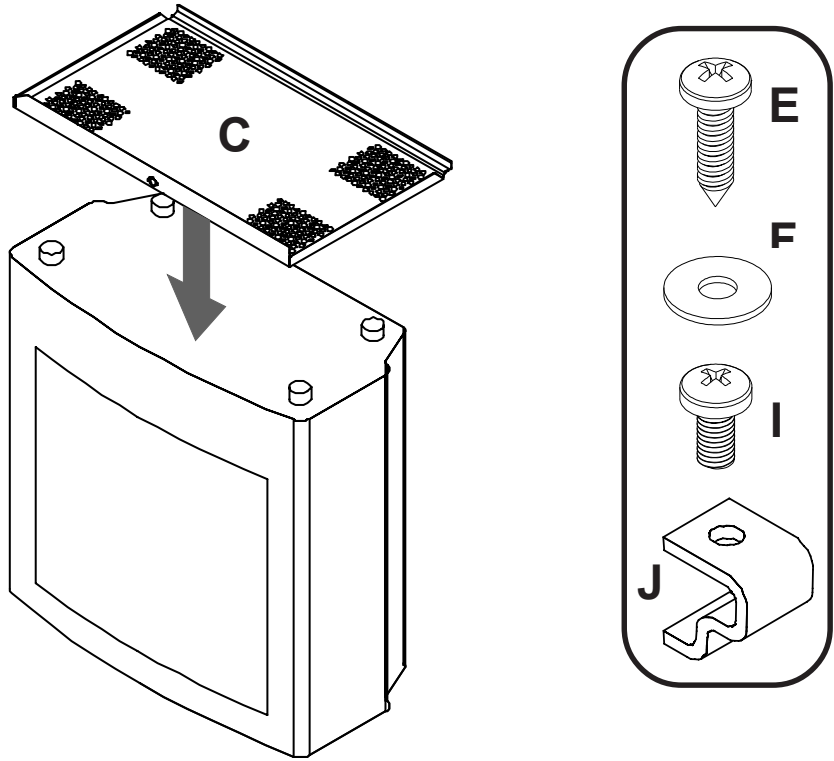
Attach lower tray (B) to wall arm (A) using four 1/4-20 x 3/8" phillips screws (D). Tighten securely. If the holes in the race on bottom of tray are not aligned, use a screwdriver and hammer to gently tap the race so that the holes are visible.

Note: The race on the tray bottom is extremely difficult to swivel without the weight of the TV on the tray.



7

Turn TV upside down on flat stable surface. Using four sets of #10 phillips particle board screws (E) and washers (F) (for attachment to mounting bosses if present), or uni-clips (J) and M5 x .8 x 10 mm phillips screws (I) (see instruction card in fastener pack), or a combination of both attach upper tray (C) to TV bottom. Attach at four places as close to the four corners of the TV bottom as possible.

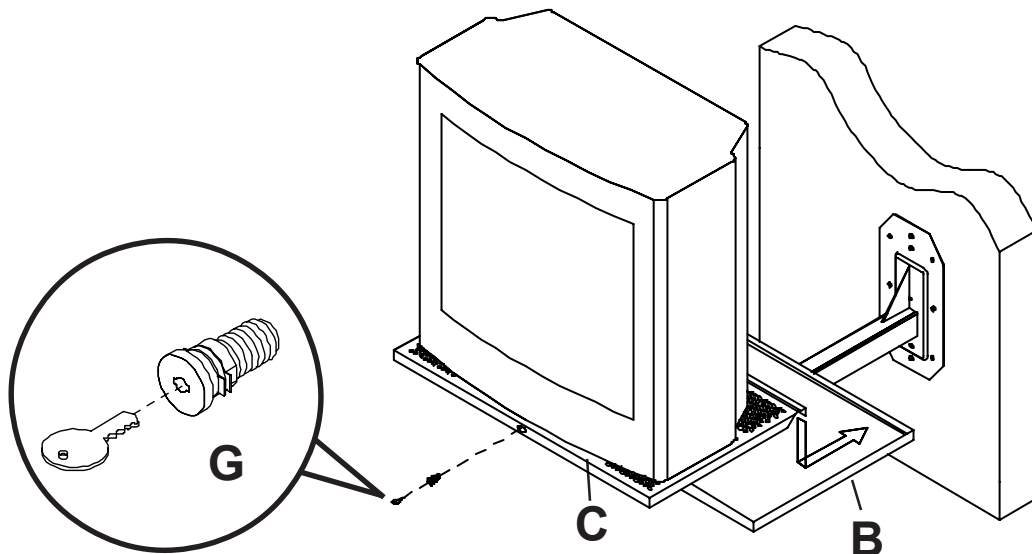


8

Insert key into lock plug (G). Attach TV/upper tray (C) to lower tray (B) as shown.

⚠ WARNING

- Always use an assistant or mechanical lifting equipment to safely lift and position the television.

**8-1**

Slide upper tray (C) back until fully engaged. Firmly hold in position while you insert and tighten lock plug (G), several turns, until fully engaged.

Note: To remove key, slot must be in the horizontal position. This may require that you back off 1/4 turn.

