

Installation and Assembly - Wall Mount *Non-Tilt and Fixed Tilt*

Models: LWB375, LWB375T

IMPORTANT! Read entire instruction sheet before you start installation and assembly.

IMPORTANT! Certain types of walls require additional mounting hardware...

WALL CONSTRUCTION	ADDITIONAL HARDWARE REQUIRED
Wood Stud, Wood Beam	none
Solid Concrete, Cinder Block, Brick	Concrete Anchor Kit - <i>order accessory kit ACC 204.</i>
Other or unsure?	Contact Customer Service.

Before you start make sure all parts shown below are included.

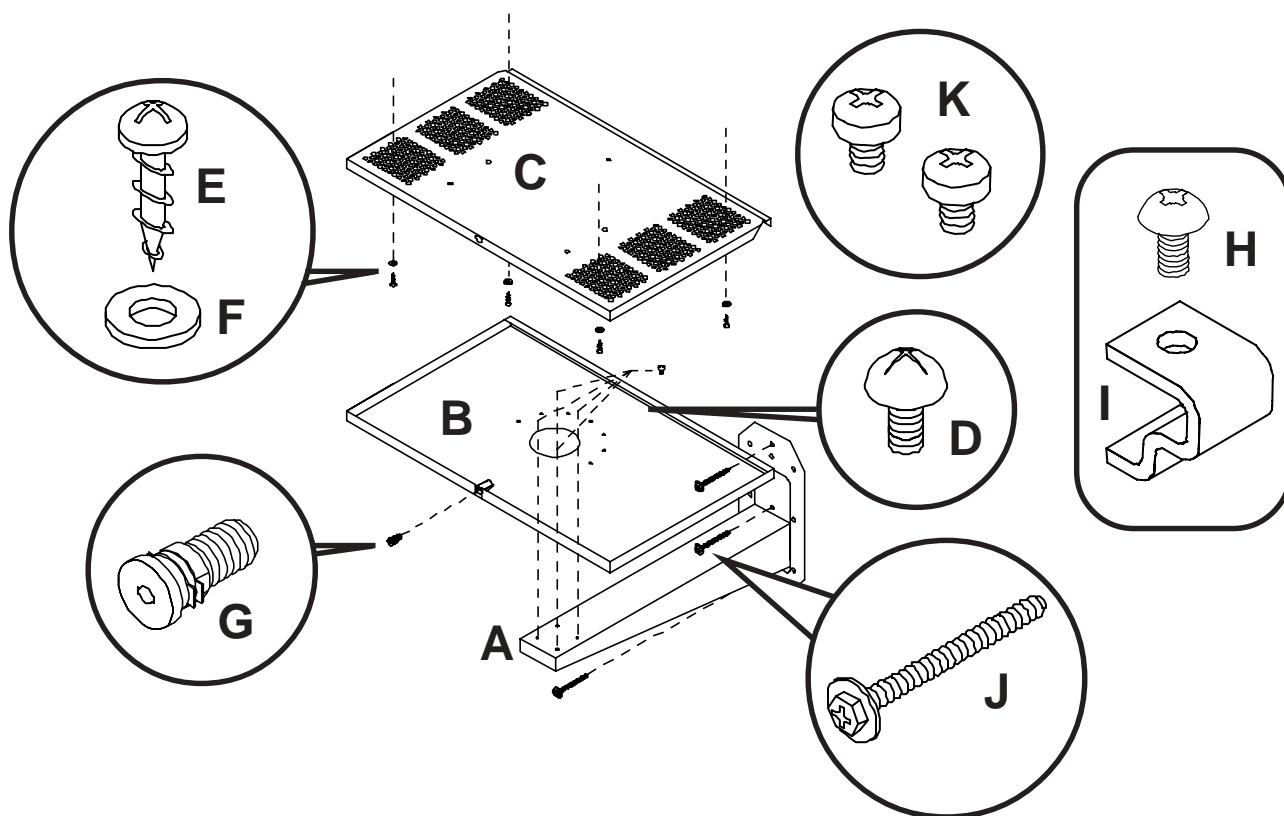
⚠ WARNING

- This product is intended for indoor use only. Use of this product outdoors could lead to product failure and personal injury.
- Installer must verify that the wall will safely support four times the combined weight of all attached equipment and hardware.



This product is intended for use with UL Listed products and must be installed by a qualified professional installer.

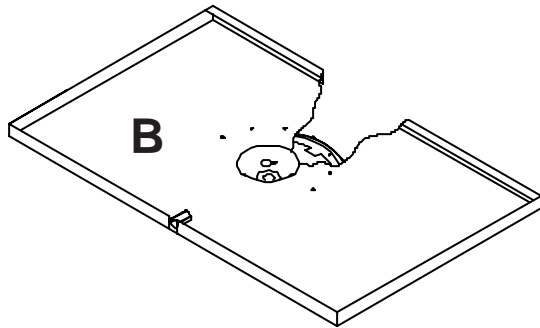
Product is UL rated up to 27" TV, 125 lb



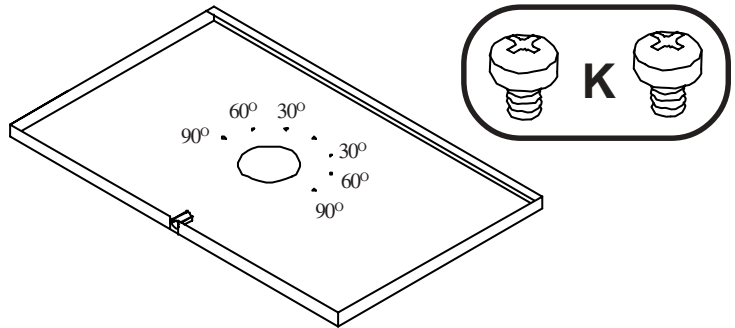
PARTS LIST	Part #	Qty.	Description	Part #	Qty.	Description
	A	041-1011	1	18" wall arm	G	3022-502
B	120-0013-1	1	lower tray (LWB375 only)	0000-322	1	key (not shown)
	120-0053-1	1	lower tray (LWB375T only)	H	520-9250	4 M5 x .8 x 10 mm phillips screw
C	2245-371	1	upper tray	I	2245-081	4 uni-clip
D	510-9107	4	1/4-20 x 3/8" phillips screw	J	5S1-015-CO3	3 #14 x 2.5 (6 mm x 65 mm) wood screw
E	500-9006	4	#10 phillips screw	*K	520-9504	2 M5 x .8 x 6 mm phillips screw (LWB375 only)
F	540-9400	4	flat washer	Some parts may not appear exactly as illustrated.		

* Note: Steps 1 and 2, page 2, apply to model LWB375 only. If installing LWB375T begin with step 3.

1 Make sure that swivel race tab on lower tray (**B**) is positioned as shown.



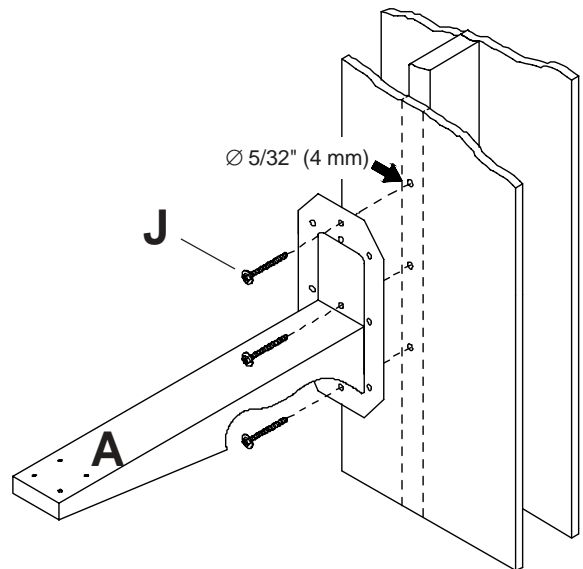
2 OPTIONAL: Install two M5 x .8 x 6 mm phillips screws (**K**) into swivel restriction holes. Swivel stop positions are noted next to each hole.



3 For attachment to a wood stud wall drill three 5/32" (4 mm) dia. holes 2 1/2" (65 mm) deep into stud centers. Attach wall arm (**A**) with #14 x 2.5" (6 mm x 65 mm) wood screws (**J**).

⚠ WARNING

- Tighten wood screws so that wall plate is firmly attached, but do not overtighten. Overtightening can damage the screws, greatly reducing their holding power.
- Never tighten in excess of 80 in • lb (9 N.M.).
- Make sure that mounting screws are anchored into the center of the studs. The use of an "edge to edge" stud finder is highly recommended.



⚠ WARNING

- When installing Peerless wall mounts on cinder block, verify that you have a minimum of 1-3/8" of actual concrete surface in the hole to be used for the concrete anchors. Do not drill into mortar joints! Be sure to mount in a solid part of the block, generally 1" minimum from the side of the block. Cinder block must meet ASTM C-90 specifications. It is suggested that a standard electric drill on slow setting is used to drill the hole instead of a hammer drill to avoid breaking out the back of the hole when entering a void or cavity.
- Concrete must be 2000 psi density minimum. Lighter density concrete may not hold concrete anchor.
- Make sure that the wall will safely support four times the combined load of the equipment and all attached hardware and components.

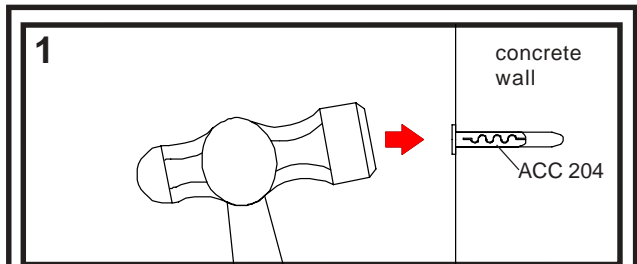
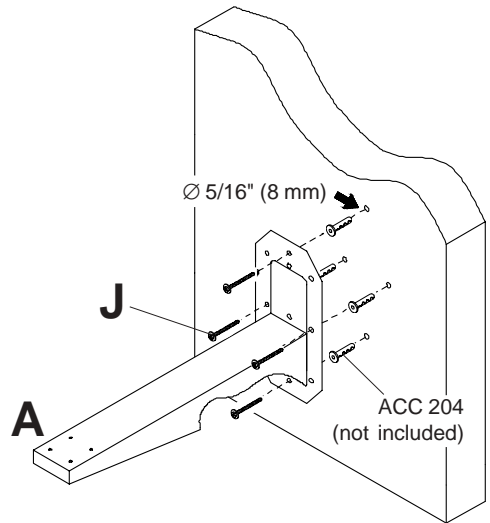
- 4** For Concrete Walls use wall arm (A), making sure that it is level, as a template to mark holes. Drill 1/4" (6 mm) dia. holes to a minimum depth of 2.5" (64 mm). Concrete must be 2000 psi density minimum. Insert anchors in holes flush with wall as shown (right). Place wall arm over anchors and secure with #14 x 2.5" (6 mm x 65 mm) wood screws. Tighten all fasteners.

⚠ WARNING

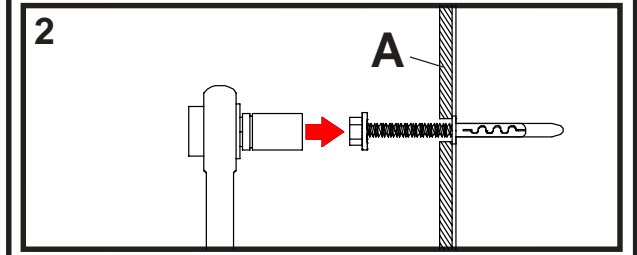
- Tighten concrete anchor bolts firmly, but do not overtighten. Overtightening can damage the bolts, greatly reducing their holding power.
- Never tighten in excess of 80 in • lb (9 N.M.).

⚠ WARNING

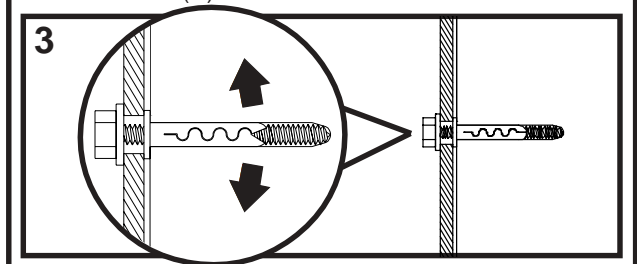
- Concrete anchors are **not** intended for attachment to concrete wall covered with a layer of plaster, drywall, or other finishing material. If mounting to concrete wall covered with plaster/drywall is unavoidable (not evaluated by UL), plaster/drywall (up to 5/8" thick) must be counterbored as shown below. If plaster/drywall is thicker than 5/8", custom fasteners must be supplied by installer (not evaluated by UL).



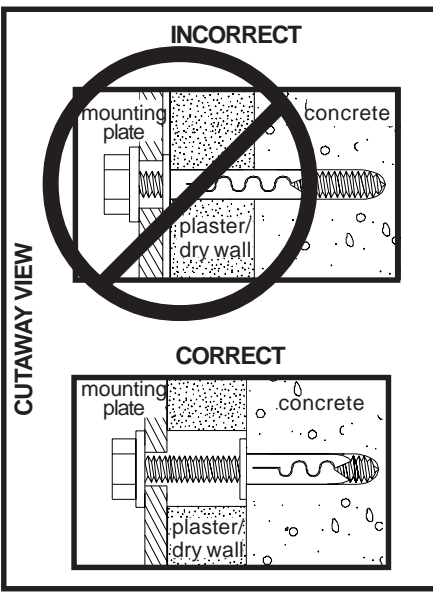
Drill holes and insert anchors.



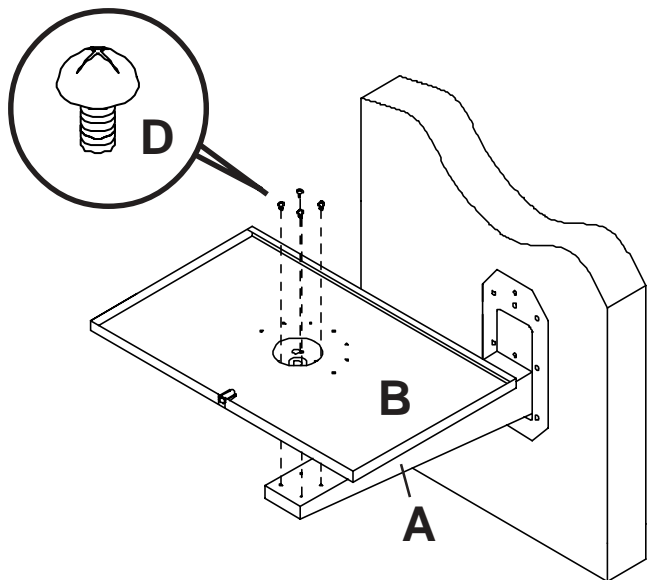
Place wall arm (A) over anchors and secure with screws.



Tighten all fasteners



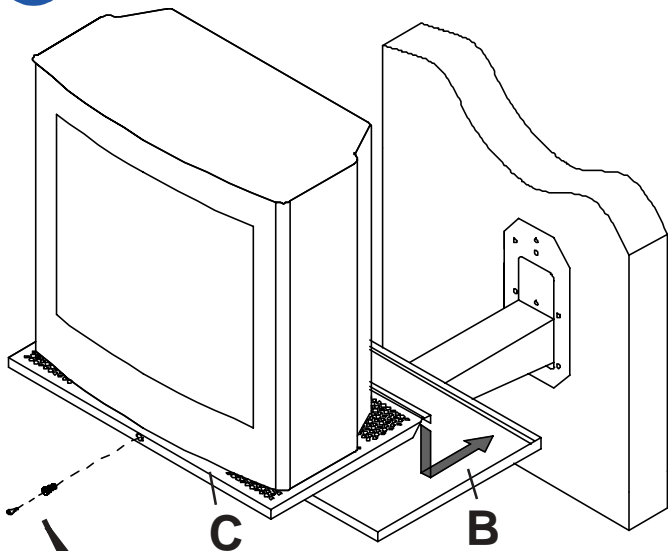
- 5** Attach lower tray (B) to wall arm (A) using four 1/4-20 x 3/8 phillips screws (D). Tighten securely.



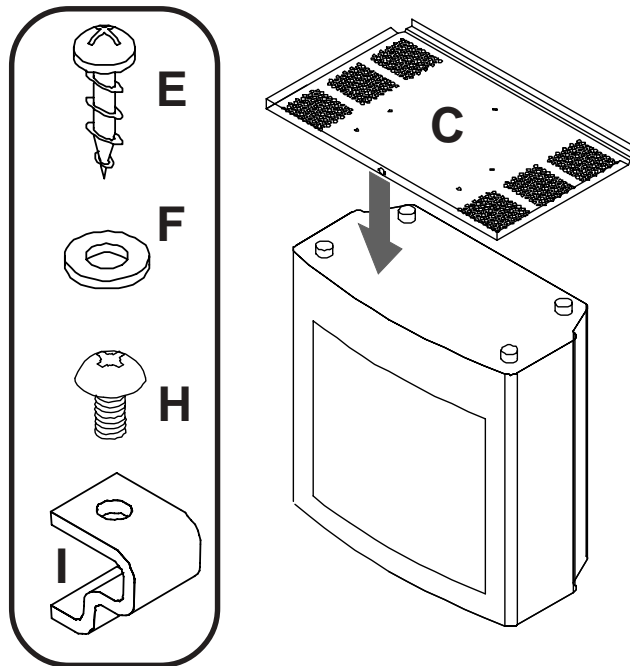
⚠ WARNING

- Always use an assistant or mechanical lifting equipment to safely lift and position the plasma television.

- 7** Insert key into lock plug (G). Attach TV/upper tray (C) to lower tray (B) as shown.



- 6** Turn TV upside down on flat stable surface. Using uni-clips (I) and M5 screws (H) (see instruction card in fastener pack), or 3/4 particle board screws (E) and washers (F) (for attachment to mounting bosses if present), or a combination of both attach upper tray (C) to TV bottom. Attach at four places as close to the four corners of the TV bottom as possible.



- 7-1** Slide upper tray (C) back until fully engaged. Firmly hold in position while you insert and tighten lock plug (G), several turns, until fully engaged.

Note: To remove key, slot must be in the horizontal position. This may require that you back off 1/4 turn.

