

Installation and Assembly -Slimline® Wall Mount for Cinder Block

Models: LWB 375-CB,
LWB 375T-CB

IMPORTANT! Read entire instruction sheet before you start installation and assembly.

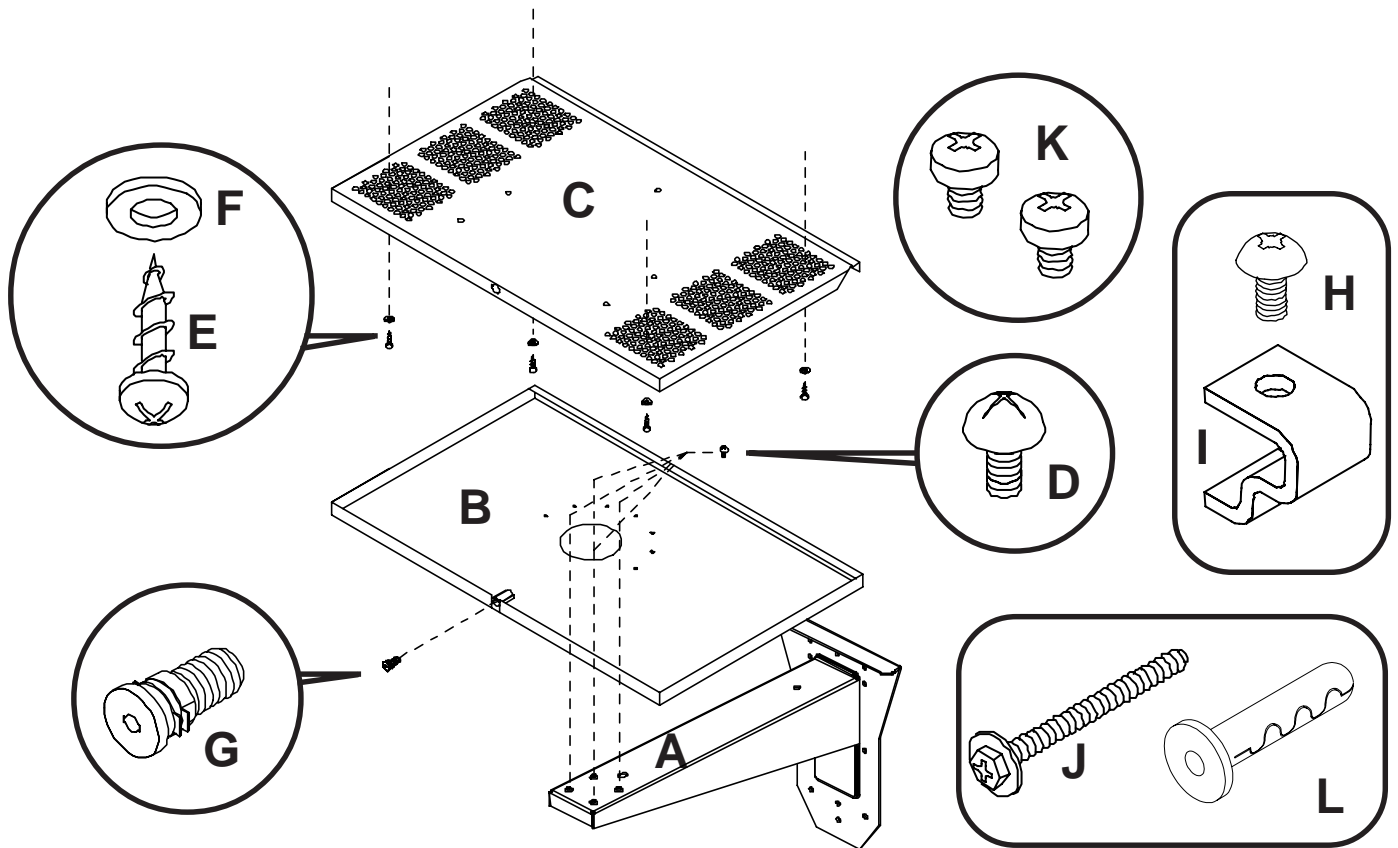


This product is intended for use with UL Listed products and must be installed by a qualified professional installer.

Before you start make sure all parts shown below are included.

⚠ WARNING

- Installer must verify that the wall will safely support four times the combined weight of all attached equipment and hardware.



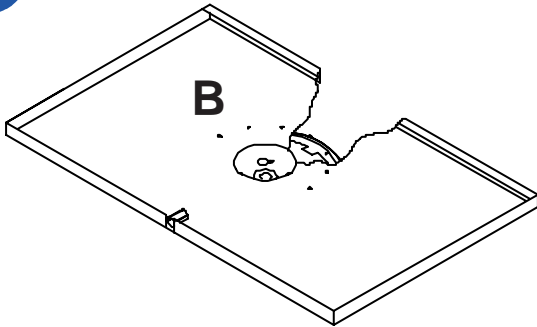
PARTS LIST	Part #	Qty.	Description	Part #	Qty.	Description
	A	041-1014	1	18" wall arm	G	3022-502
B	120-0013-1	1	lower tray (LWB 375-CB only)	0000-322	1	key (not shown)
	120-0053-1	1	lower tray (LWB 375T-CB only)	H	520-9250	4 M5 x .8 x 10 mm phillips screw
C	2245-371	1	upper tray	I	2245-081	4 uni-clip
D	510-9107	4	1/4-20 x 3/8" phillips screw	J	5S1-015-CO3	5 #14 x 2.5 (6 mm x 65 mm) wood screw
E	500-9006	4	#10 phillips screw	K	520-9504	2 M5 x .8 x 6 mm phillips screw
F	540-9400	4	flat washer	L	590-0097	5 concrete anchor

Some parts may not appear exactly as illustrated.

Note: Steps 1 and 2, page 2, apply to model LWB 375-CB only. If installing LWB 375T-CB begin with step 3.

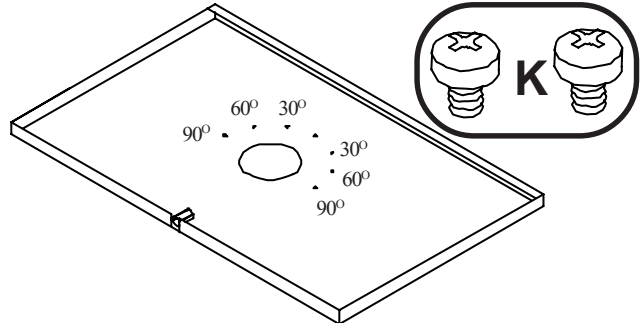
1

Make sure that swivel race tab on lower tray (B) is positioned as shown.



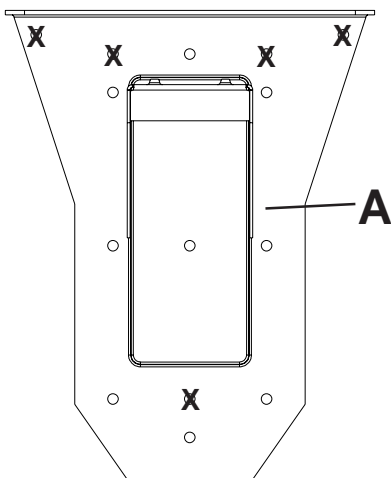
2

OPTIONAL: Install two M5 x .8 x 6 mm phillips screws (K) into swivel restriction holes. Swivel stop positions are noted next to each hole.

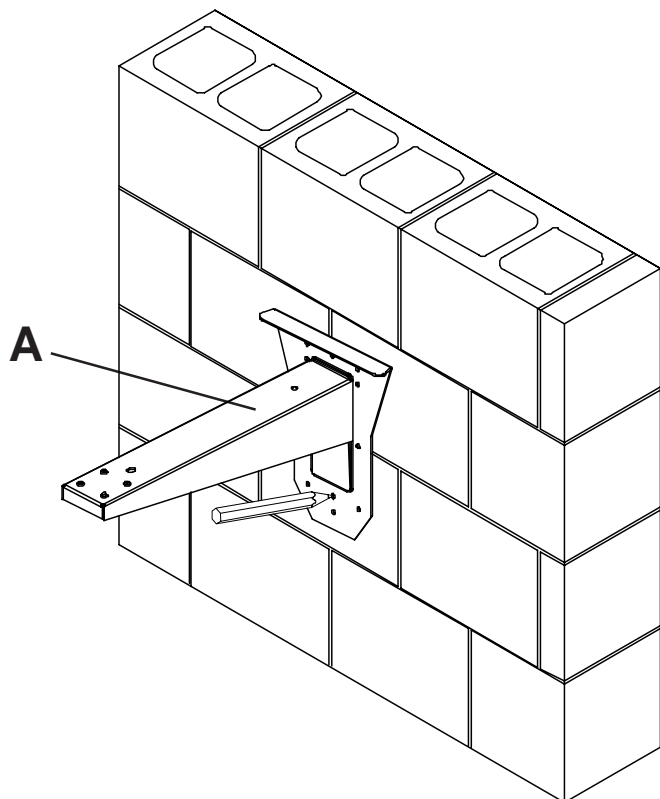


3

Place wall arm (A) on wall as template, level wall arm (A) then mark center of holes with pencil.
Note: Only use holes marked with an "X" below.



FRONT VIEW



⚠ WARNING

- When installing Peerless wall mounts on cinder block, verify that you have a minimum of 1-3/8" of actual concrete surface in the hole to be used for the concrete anchors. Do not drill into mortar joints! Be sure to mount in a solid part of the block, generally 1" minimum from the side of the block. Cinder block must meet ASTM C-90 specifications. It is suggested that a standard electric drill on slow setting is used to drill the hole instead of a hammer drill to avoid breaking out the back of the hole when entering a void or cavity.
- Concrete must be 2000 psi density minimum. Lighter density concrete may not hold concrete anchor.
- Make sure that the wall will safely support four times the combined load of the equipment and all attached hardware and components.

4 Note: This wall arm (A) was designed specifically for attachment to cinder block walls but may also be mounted to standard concrete following the directions below.

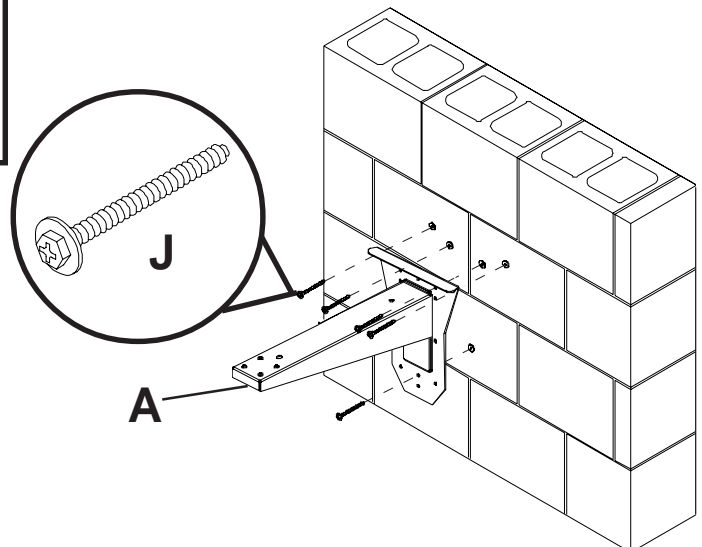
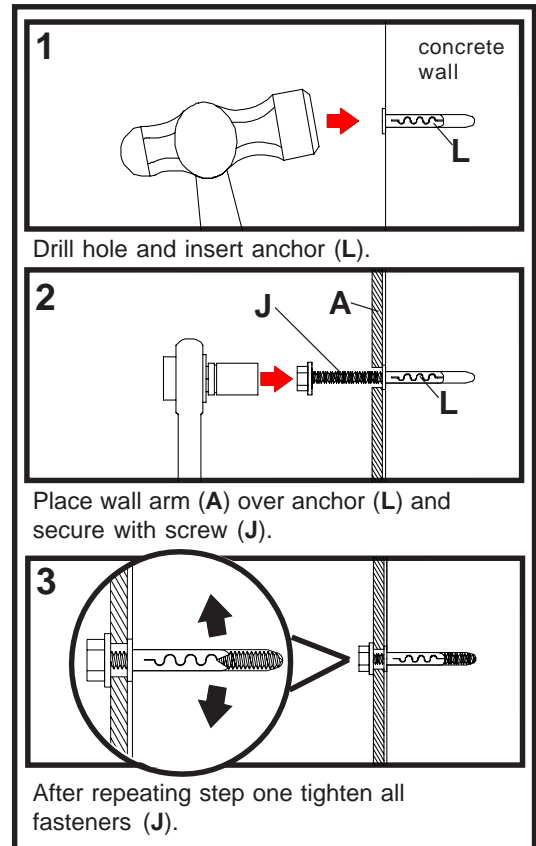
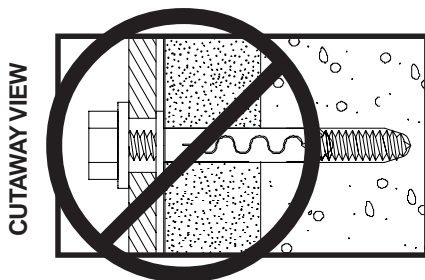
For Concrete Walls drill five 1/4" (6 mm) dia. holes to a minimum depth of 2.5" (64 mm) on marks made in step 3. Insert anchor (L) in holes flush with wall as shown (right). Place wall arm (A) over anchor (L) and secure with five #14 x 2.5" (6 mm x 65 mm) wood screw (J) as shown at bottom on page. Make sure wall plate is level before placing fasteners. Tighten all fasteners.

⚠ WARNING

- Tighten concrete anchor bolts firmly, but do not overtighten. Overtightening can damage the bolts, greatly reducing their holding power.
- Never tighten in excess of 80 in • lb (9 N.M.).

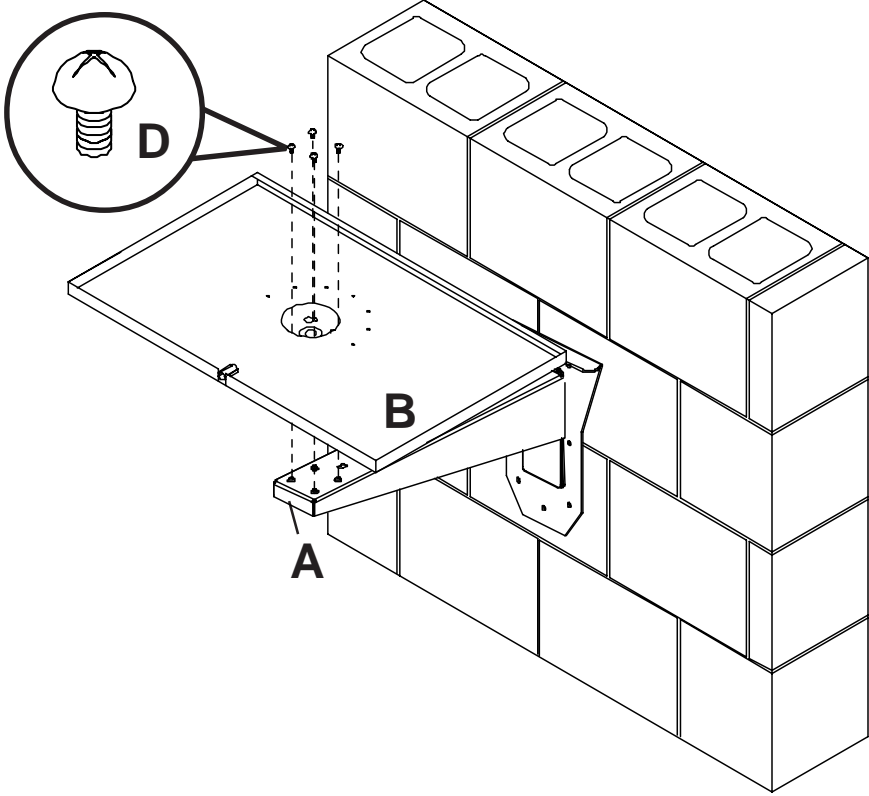
⚠ WARNING

- Concrete anchors are **not** intended for attachment to concrete wall covered with a layer of plaster, drywall, or other finishing material. If mounting to concrete wall covered with plaster/drywall is unavoidable, plaster/drywall (up to 5/8" thick) must be counterbored as shown below. If plaster/drywall is thicker than 5/8", custom fasteners must be supplied by installer.



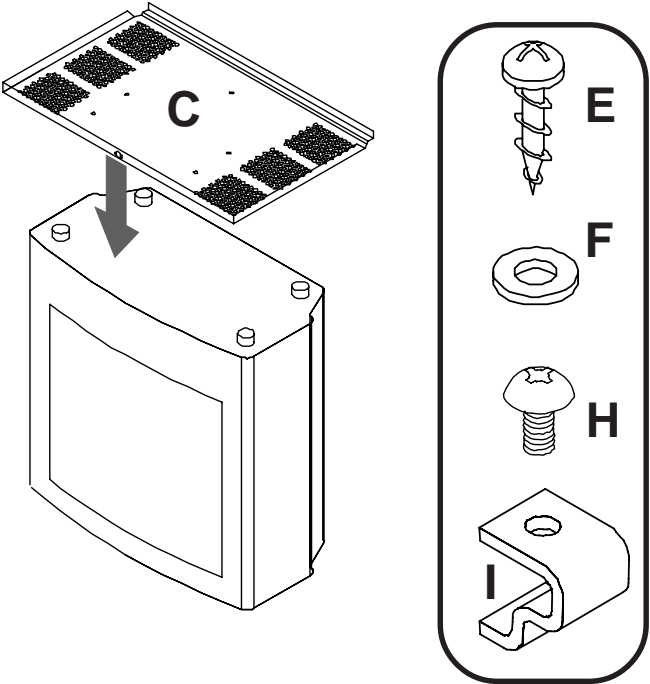
5

Attach lower tray (**B**) to wall arm (**A**) using four 1/4-20 x 3/8 phillips screws (**D**). Tighten securely.



6

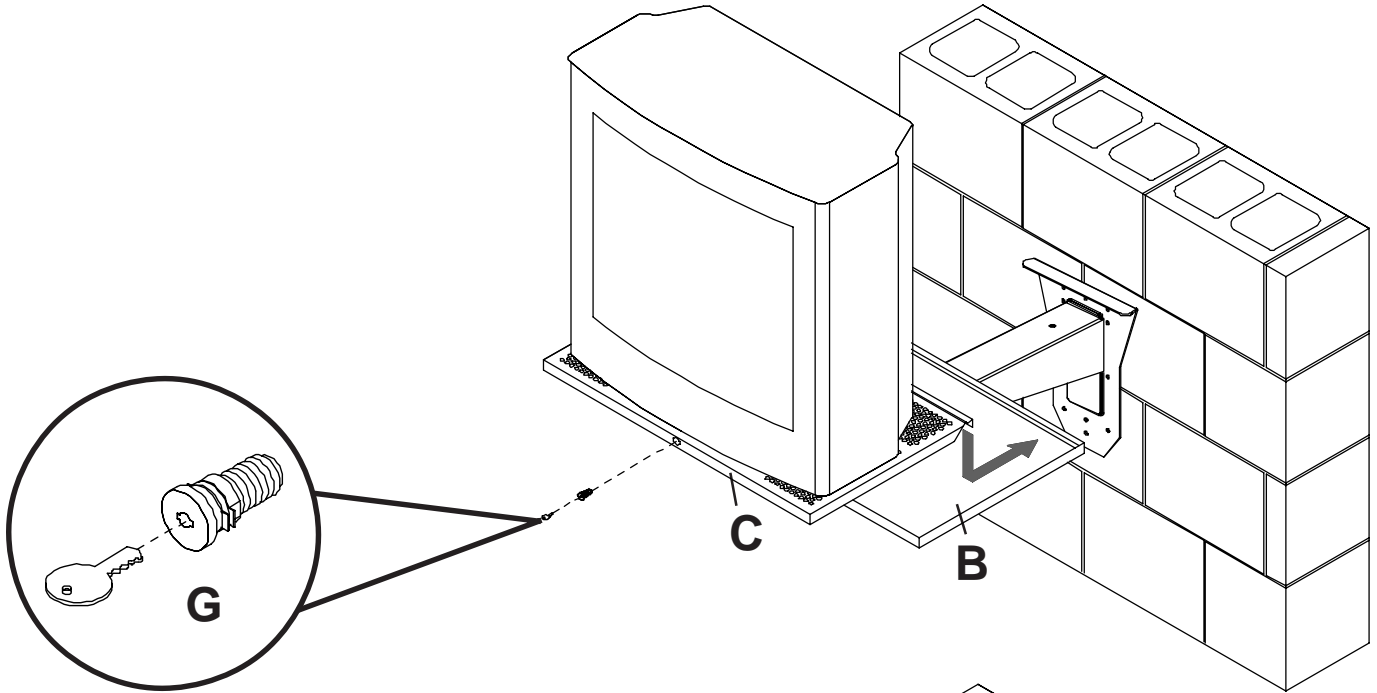
Turn TV upside down on flat stable surface. Using uni-clips (**I**) and M5 screws (**H**) (see instruction card in fastener pack), or 3/4 particle board screws (**E**) and washers (**F**) (for attachment to mounting bosses if present), or a combination of both attach upper tray (**C**) to TV bottom. Attach at four places as close to the four corners of the TV bottom as possible.



- 7** Insert key into lock plug (**G**) Attach TV/upper tray (**C**) to lower tray (**B**) as shown.

⚠ WARNING

- Always use an assistant or mechanical lifting equipment to safely lift and position the TV or monitor.



Slide upper tray (**C**) back until fully engaged. Firmly hold in position while you insert and tighten lock plug (**G**), several turns, until fully engaged.

Note: To remove key, slot must be in the horizontal position. This may require that you back off 1/4 turn.

