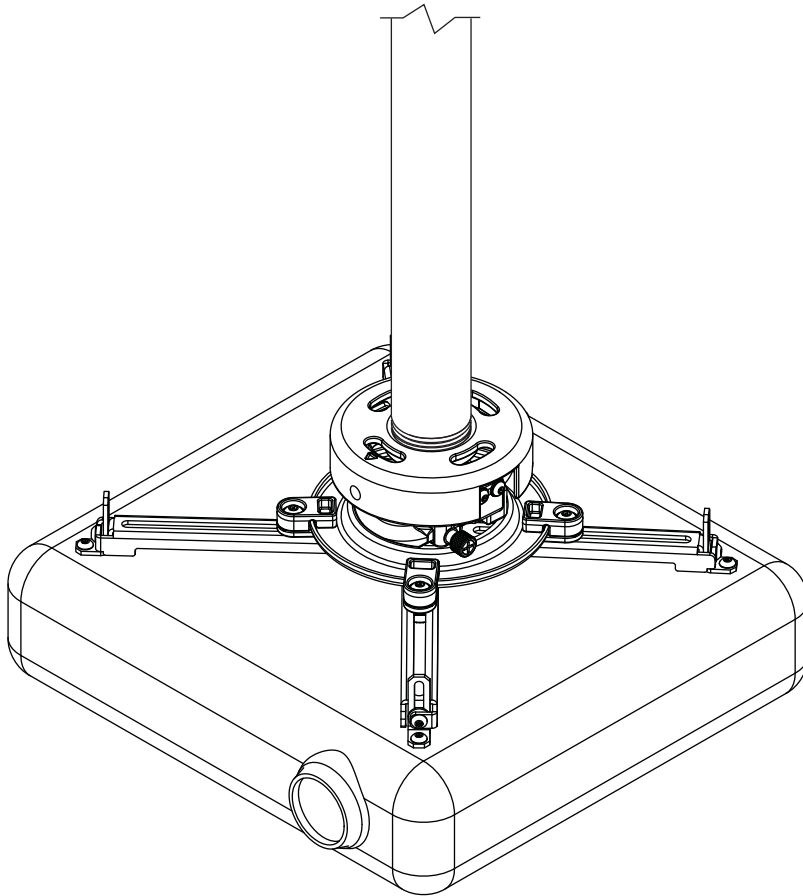


Installation and Assembly:

Model: PRS-KIT0811, PRS-KIT1420, PRS-KIT2026



This product is UL Listed. It must be installed by a qualified professional installer.

Max UL Load Capacity: 25 lb (11.3 kg)

Note: Read entire instruction sheet before you start installation and assembly.

WARNING

- Do not begin to install your Peerless product until you have read and understood the instructions and warnings contained in this Installation Sheet. If you have any questions regarding any of the instructions or warnings, please call Peerless customer service at 1-800-729-0307.
- This product should only be installed by a qualified professional.
- Make sure that the supporting surface will safely support the combined load of the equipment and all attached hardware and components.
- Never exceed the Maximum UL Load Capacity of 25 lb (11.3 kg).
- If mounting to wood studs, make sure that mounting screws are anchored into the center of the studs. Use of an "edge to edge" stud finder is highly recommended.
- Always use an assistant or mechanical lifting equipment to safely lift and position equipment.
- Tighten screws firmly, but do not overtighten. Overtightening can damage the items, greatly reducing their holding power.

Tools Needed for Assembly

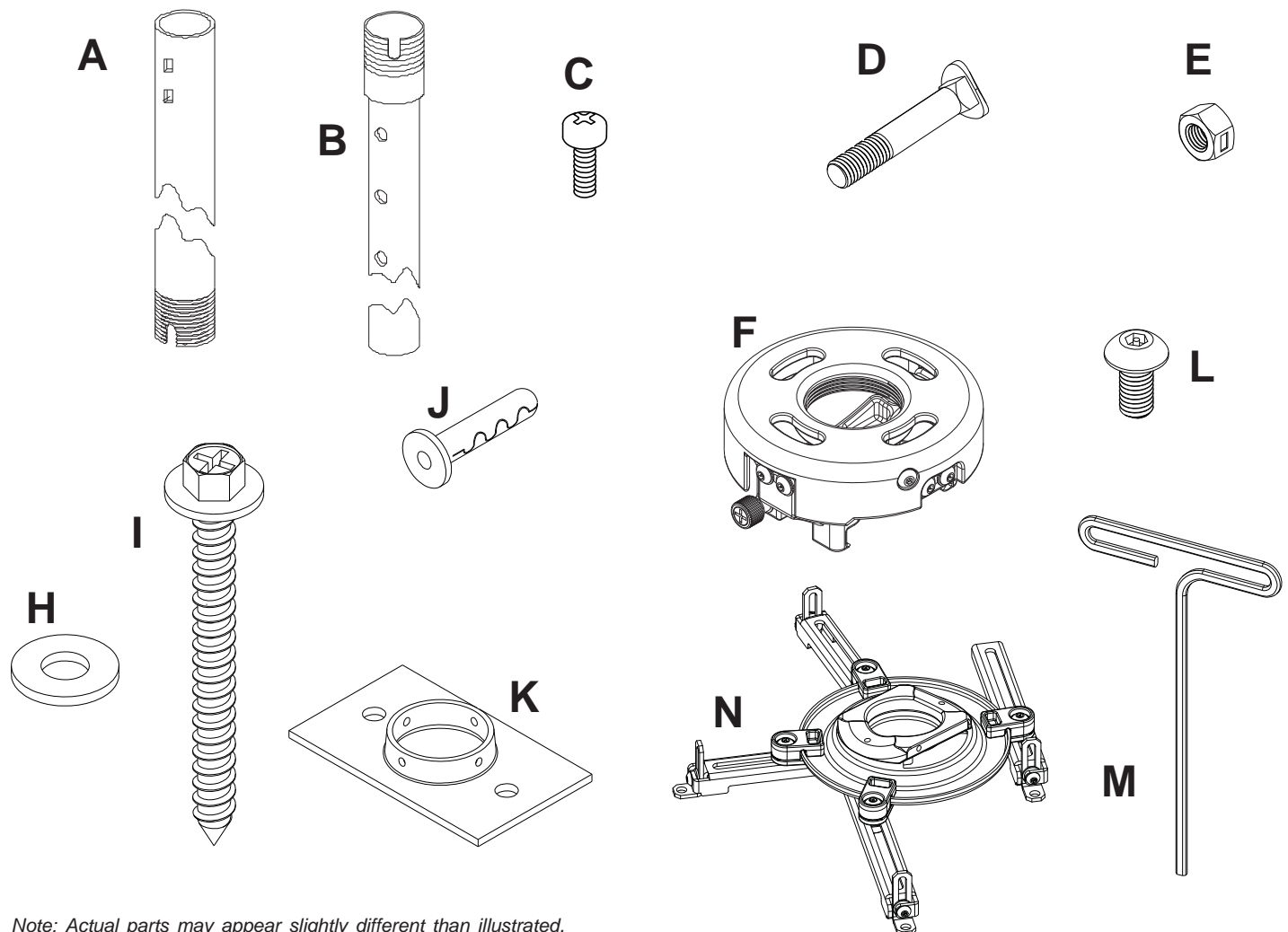
- stud finder ("edge to edge" stud finder is recommended)
- phillips screwdriver
- drill with 1/4", 3/8", and 5/32" drill bits

Table of Contents

Parts List	3
Installation to Wood Joist Ceiling	4
Installation to Concrete Ceiling	5
Installation of Extension Column	6
Installing Projector Mount assembly to the Extension Column	7
Installing Projector Adapter Plate	7
Projector Alignment	8

For customer care call (800) 729-0307 or (708) 865-8870.

PRS-KIT 0811	PRS-KIT 1420	PRS-KIT 2026	Parts List		Qty.	Part #
X			A	extension pipe	1	154-1025
	X					154-1032
		X				154-1034
X			B	adjuster tube	1	154-1028
	X	X				154-1030
X	X	X	C	M5 x .8 x 10 mm phillips screw	1	520-9250
X	X	X	D	M10 x 60 mm carriage bolt	1	580-1022
X	X	X	E	M10 center lock nut	1	530-9402
X	X	X	F	projector mount assembly	1	055-1931
X	X	X	H	flat washer	2	540-1078
X	X	X	I	#14 x 2.5 phillips hex head wood screw	2	5S1-015-C03
X	X	X	J	concrete anchor	2	590-0097
X	X	X	K	ceiling plate	1	580-1042
X	X	X	L	#10-32 x 1/4" socket pin screw	1	520-1196
X	X	X	M	4 mm security t-wrench	1	560-1718
X	X	X	N	universal adapter plate	1	055-1879



Note: Actual parts may appear slightly different than illustrated.

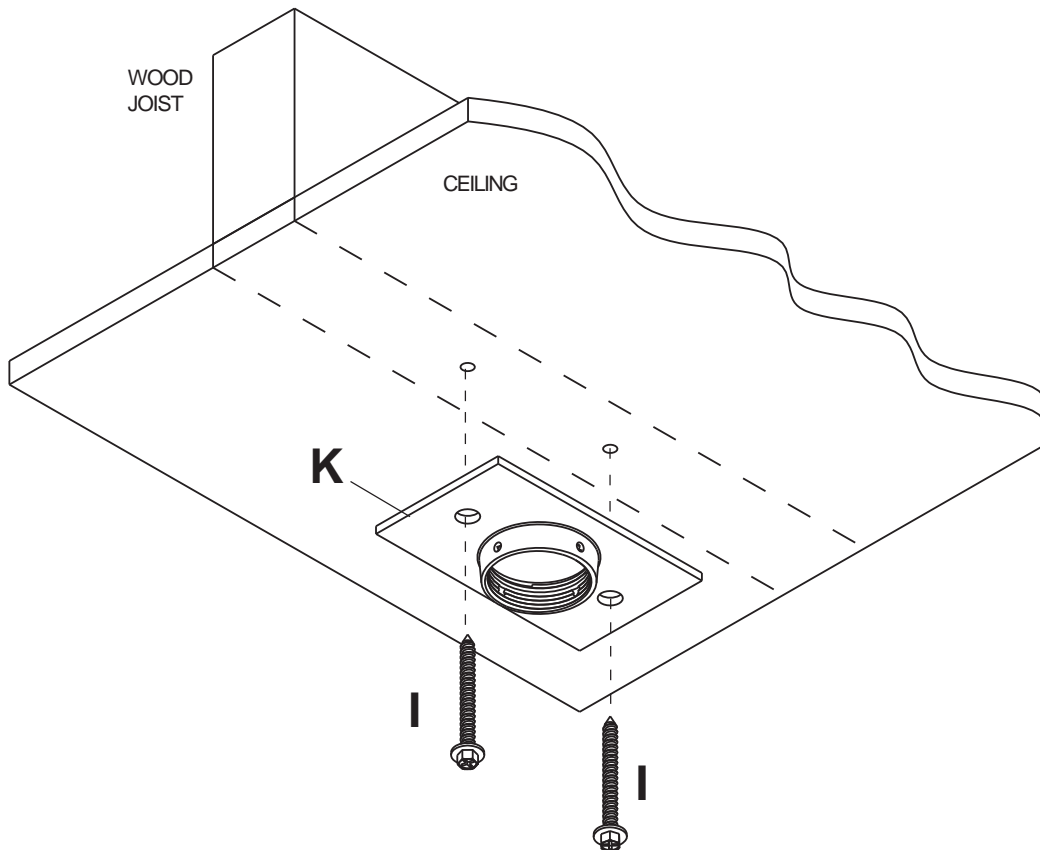
Installation to Wood Joist Finished Ceilings, Exposed Wood Joists, or Wood Beam Ceilings

- 1 Drill two 5/32" (4 mm) dia. holes to a minimum depth of 2.5" (64 mm). Attach ceiling plate (K) with two #14 x 2.5" (6 mm x 65 mm) wood screws (I) as shown using 3/8" (10 mm) socket wrench. Tighten wood screws (I) so ceiling plate (K) is firmly attached.

⚠ WARNING

- Tighten wood screws so that ceiling plate is firmly attached, but do not overtighten. Overtightening can damage the screws, greatly reducing their holding power.
- Never tighten in excess of 80 in • lb (9 N.M.).
- Make sure that mounting screws are anchored into the center of the joist. The use of an "edge to edge" stud finder is highly recommended.

Skip to step 2 on page 6.



Installation to Concrete Ceilings

- 1** Drill two 1/4" (6 mm) dia. holes to a minimum depth of 2.5" (64 mm). Attach ceiling plate (K) using two concrete anchors (J) and #14 x 2.5" wood screws (I) as shown in **Illustration A** and **1, 2, and 3** (below). Tighten all fasteners.

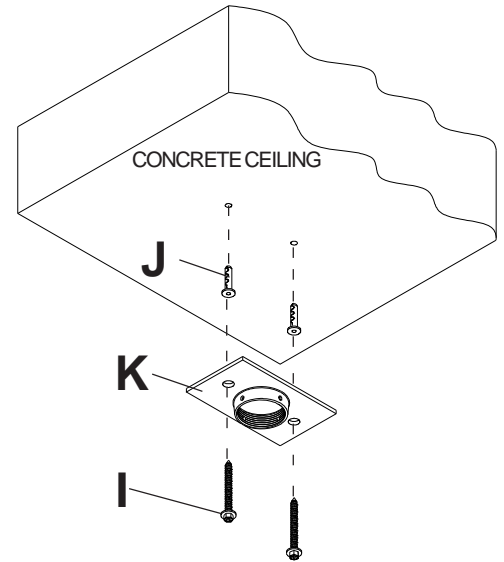


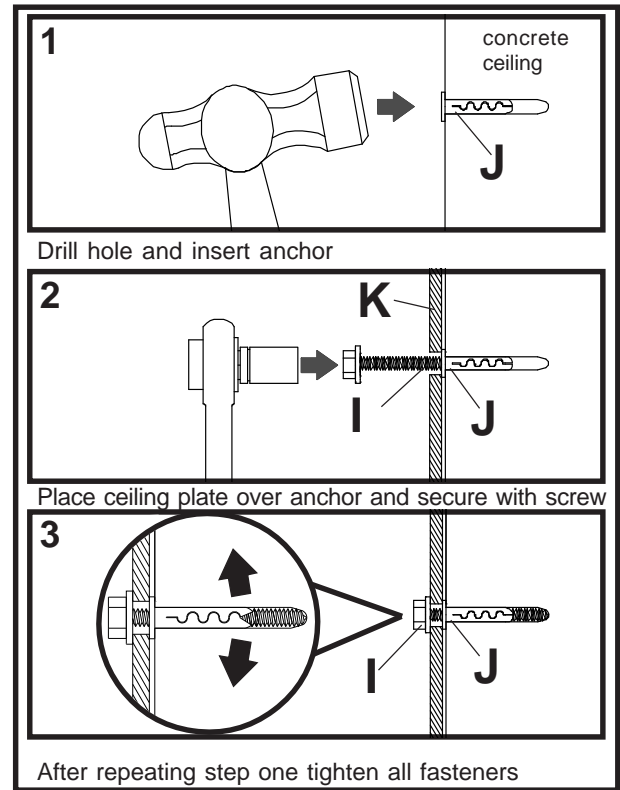
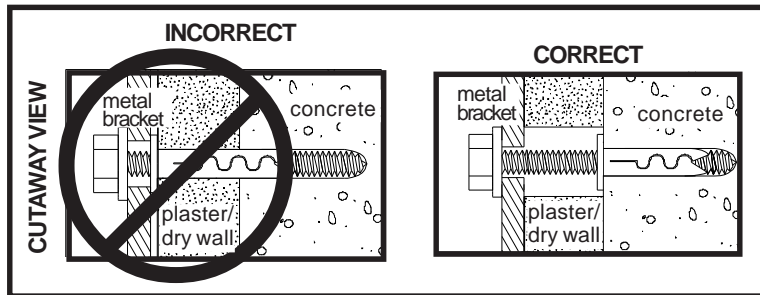
Illustration A

⚠ WARNING

- Tighten wood screws firmly, but do not overtighten. Overtightening can damage the bolt, greatly reducing its holding power.
- Never tighten in excess of 80 in • lb (9 N.M.).

⚠ WARNING

- Concrete anchors are **not** intended for attachment to concrete wall covered with a layer of plaster, drywall, or other finishing material. If mounting to concrete wall covered with plaster/drywall is unavoidable (not evaluated by UL), plaster/drywall (up to 5/8" thick) must be counterbored as shown below. If plaster/drywall is thicker than 5/8", custom fasteners must be supplied by installer (not evaluated by UL).



Installation of Extension Column

- 2** Attach threaded end of adjuster tube (**B**) to threaded fitting in ceiling plate (**K**). Tighten securely aligning slot in end of adjuster tube (**B**) with one of the holes in the side of threaded fitting. Insert and tighten one M5 x .8 x 10 mm phillips screw (**C**) to lock adjuster tube (**B**) to threaded fitting.

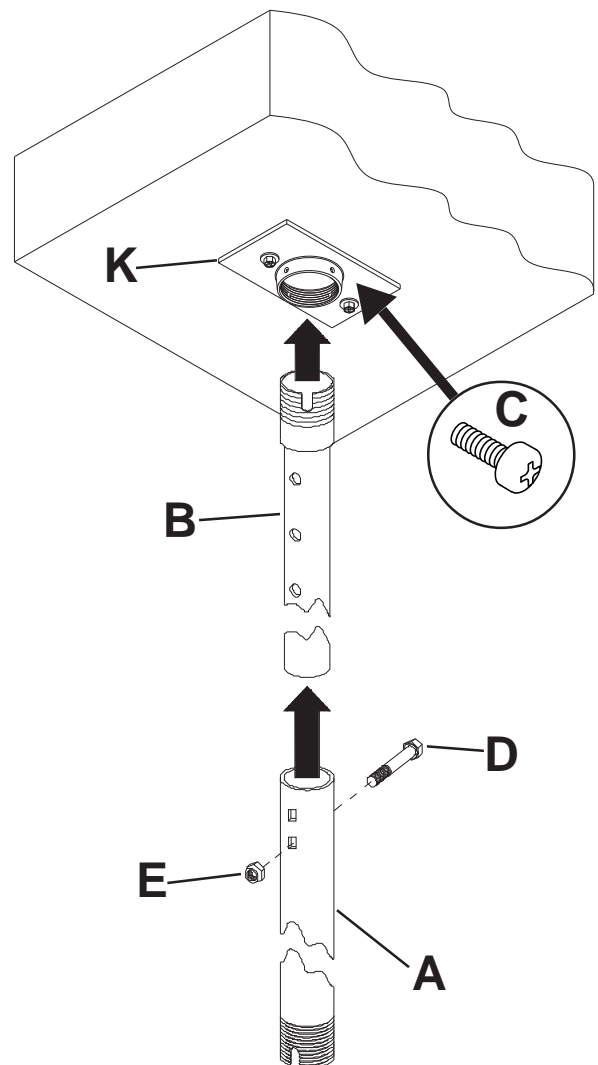
⚠ WARNING

- Installer must verify that the ceiling will safely support the combined weight of all attached equipment and hardware.

- 3** Slide extension pipe (**A**) over adjuster tube (**B**) to the desired height. Attach with one M10 x 60 mm carriage bolt (**D**) and lock nut (**E**).

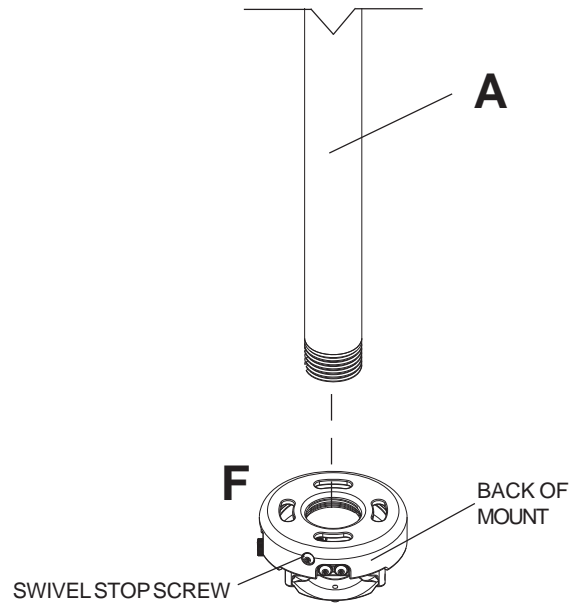
⚠ WARNING

- Adjuster tube (**B**) must be fully threaded (six or seven full turns) onto threaded fitting in ceiling plate and then locked with screw (**C**).



Installation to Extension Column

- 4** Screw projector mount assembly (F) onto extension column (A). Tighten swivel stop screw against extension column (A) using a phillips head screw driver. **Note:** Swivel stop screw is used to jam against threads of extension column (A) to prevent any excess movement of projector mount assembly (F). Do not overtighten screw; overtightening screw will damage threads making it difficult to separate products.



Installation of Adapter Plate

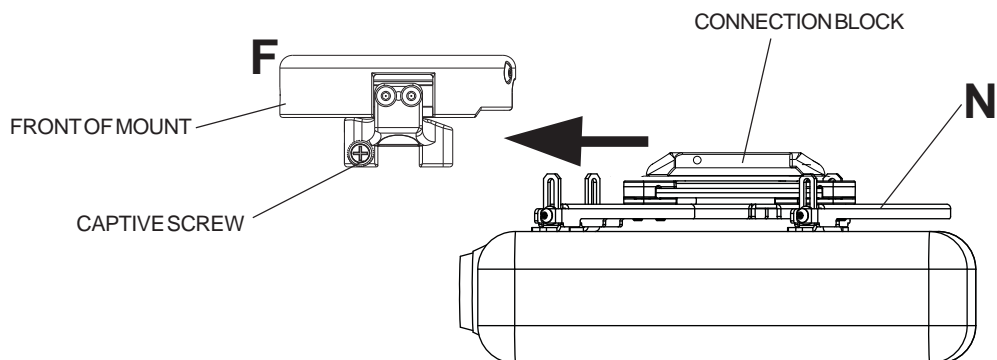
Note: Use accompanying Spider™ Universal Adapter Plate instruction to install the adapter plate, before proceeding with step 5.

Installation of Projector

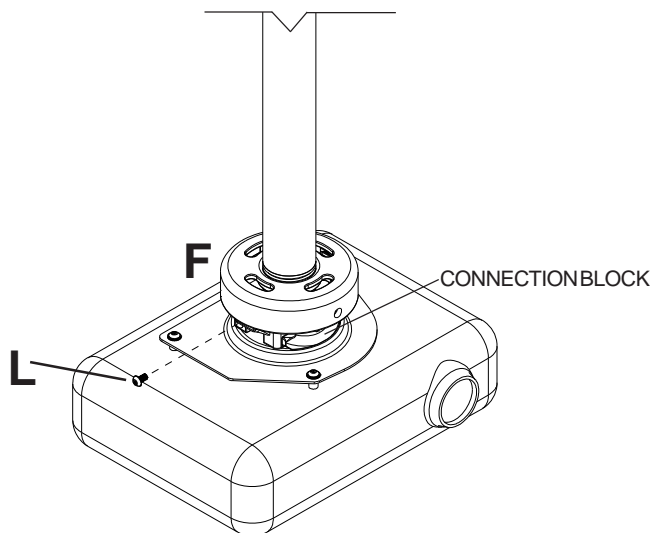
- 5** Slide connection block of adapter plate (N) with projector into projector mount assembly (F) as shown. Tighten captive screw to secure projector to projector mount assembly (F).

⚠ WARNING

- Always use an assistant or mechanical lifting equipment to safely lift and position the projector.



6 **IMPORTANT:** For security installations, insert one #10-32 x 1/4" socket pin screw (**L**) through projector mount assembly (**F**) and into connection block as shown.



Projector Alignment

7 **To adjust yaw (swivel):** Loosen screw on projector mount assembly (**F**) indicated below until projector mount can be rotated. Rotate mount to desired position and retighten screw.

To adjust pitch (forward and backward tilt): Loosen two screws on projector mount assembly (**F**) indicated below. Tilt mount to desired position and retighten screws.

To adjust roll (side to side tilt): Loosen two screws on projector mount assembly (**F**) indicated below. Tilt mount to desired position and retighten screws.

