

# Installation and Assembly - Projector Adapter Plate for Mitsubishi™ model Mitsubishi X500U Projector

Models: PAP 114, PAP 114-S, PAP 114-W

**IMPORTANT!** Read entire instruction sheet before you start installation and assembly.

Before you start check the parts list below to make sure all of the parts shown are included.

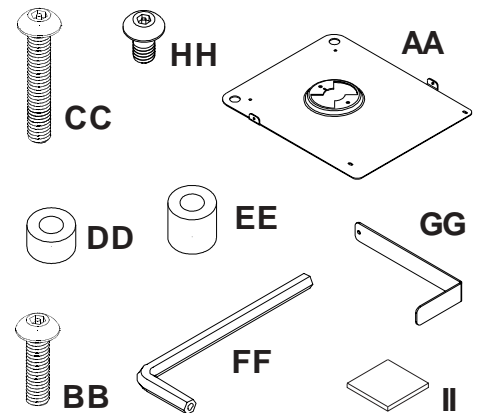
## ⚠ WARNING

- Installer must verify that the ceiling will safely support four times the combined weight of all attached equipment and hardware.

### Parts List

Description	Qty.	PAP 114	PAP 114-S	PAP 114-W
<b>AA</b> adapter plate	1	055-1187	055-4187	055-2187
<b>BB</b> M4 x .7 x 25 mm socket pin screw	2	520-1082	520-2082	520-2082
<b>CC</b> M4 x .7 x 35 mm socket pin screw, blk	2	520-1097	520-2097	520-2097
<b>DD</b> .250 x .500 x .625 nylon spacer	2	590-1106	590-2106	590-2106
<b>EE</b> .250 x .500 x 1 nylon spacer	2	590-2100	590-2100	590-2100
<b>FF</b> 4 mm security allen wrench (for PAP only)	1	560-9646	560-9646	560-9646
<b>GG</b> L bracket	2	055-1213	055-4213	055-2213
<b>HH</b> M4 x .7 x 6 mm socket pin screw	2	520-1059	520-2059	520-2059
<b>II</b> adhesive foam pad	2	570-0008	570-0008	570-0008

Note: Actual parts may appear slightly different than illustrated.



**1**

\*Notch indicates front of projector.

Turn projector upside down and detach feet. Attach adapter plate (AA) to projector using two M4 x .7 x 35 mm screws and spacers (CC&EE) in front holes. Next attach two M4 x .7 x 25 mm screws and spacers (BB & DD) in back of projector. Reattach projector feet.

**2**

Adhere foam pads (II) to L-brackets (GG). Secure projector by attaching two L-brackets to adapter plate (AA) using two screws (HH). Tighten all screws using 4 mm security allen wrench (FF).

