

Installation and Assembly - Projector Adapter Plate for BENQ model 7765PA Projector

Models: PAP 139,
PAP 139-S

IMPORTANT! Read entire instruction sheet before you start installation and assembly.

Before you start check the parts list below to make sure all of the parts shown are included.

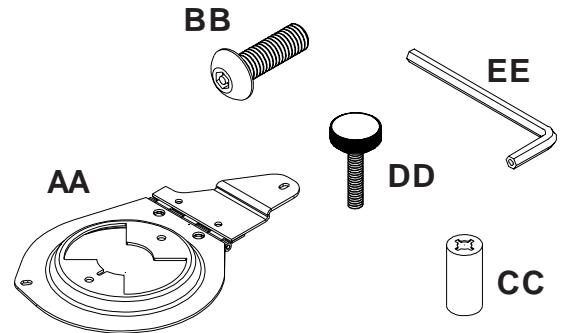
⚠ WARNING

- Installer must verify that the ceiling will safely support four times the combined weight of all attached equipment and hardware.

Parts List

			PAP 139	PAP 139-S
AA	adapter plate	1	055-1255	055-4255
BB	M4 x .7 x 10 mm socket pin screw	1	520-1060	510-2060
CC	.198 x .313 x .68H retaining spacer	1	590-1131	590-2131
DD	M4 x .7 x 25 mm thumb screw	1	560-1142	560-7142
EE	4 mm security allen wrench (for PAP only)	1	560-9646	560-9646

Note: Actual parts may appear slightly different than illustrated.

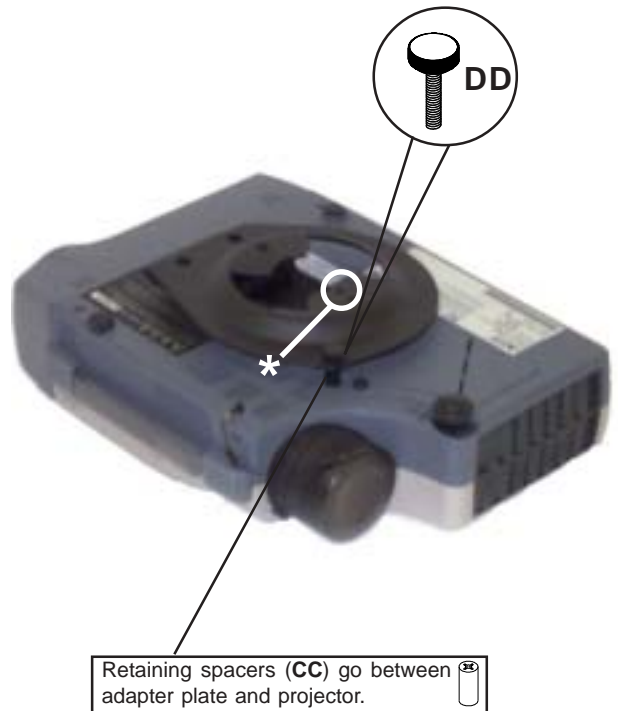
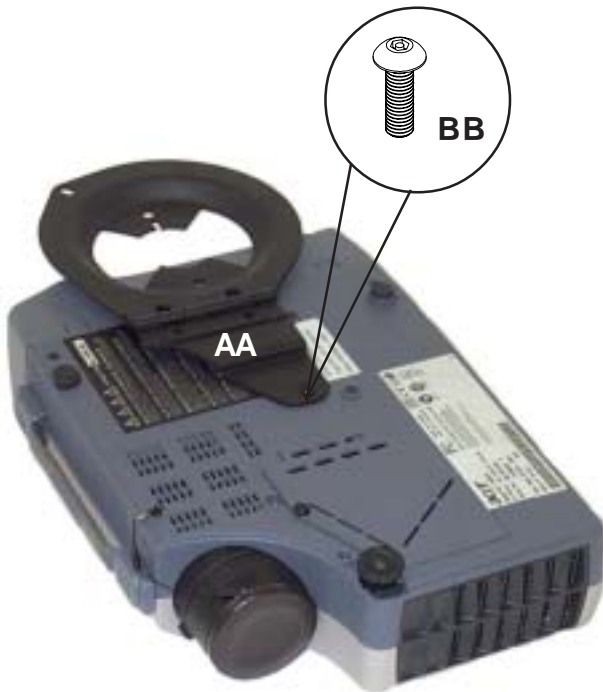


1

Flip projector upside down. Attach adapter plate (AA) to projector using M4 socket pin screw (BB) using 4 mm security allen wrench (EE) as indicated below. **Note: Make sure all holes are align and that hinge is open and facing up (as shown).**

2

*Notch indicates front of projector. Close adapter plate (AA). Place retaining spacer (CC) between adapter plate (AA) and projector. Fasten with thumb screw (DD).



Retaining spacers (CC) go between adapter plate and projector.