

Installation and Assembly - Projector Adapter Plate for BenQ PE 8700 Projector

Models: PAP 187, PAP 187-S, PAP 187-W

IMPORTANT! Read entire instruction sheet before you start installation and assembly.

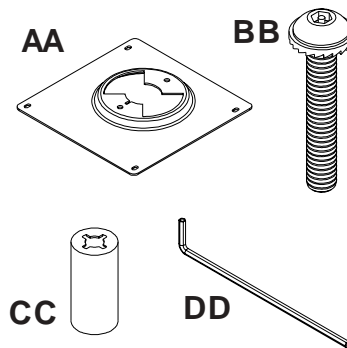
Before you start check the parts list below to make sure all of the parts shown are included.

WARNING

- Installer must verify that the ceiling will safely support four times the combined weight of all attached equipment and hardware.

Parts List

Description	Qty.	PAP 187	PAP 187-S	PAP 187-W
AA adapter plate	1	055-1369	055-4369	055-2369
BB M4 x 25 mm serrated washer head socket pin screw	4	510-1082	510-2082	510-2082
CC retaining spacer	4	590-2021	590-2017	590-2017
DD 4 mm security allen wrench (for PAP only)	1	560-9646	560-9646	560-9646



Note: Actual parts may appear slightly different than illustrated.

*Notch indicates front of projector.

- 1 Flip projector upside down. Fasten adapter plate (**AA**) using four retaining spacers (**CC**) and four M4 x 25 mm screws (**BB**) with 4 mm security allen wrench (**DD**) as indicated below.

