

Installation and Assembly - Projector Adapter Plate for Proxima® UltraLight DS2 Projector

Models: PAP 191, PAP 191-S, PAP 191-W

IMPORTANT! Read entire instruction sheet before you start installation and assembly.

Before you start check the parts list below to make sure all of the parts shown are included.

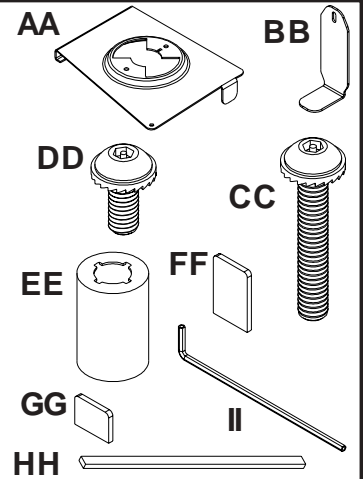
⚠ WARNING

- Installer must verify that the ceiling will safely support four times the combined weight of all attached equipment and hardware.

Parts List

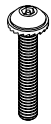
Description	Qty.	PAP 191	PAP 191-S	PAP 191-W
AA adapter plate	1	055-1381	055-4381	055-2381
BB side bracket	1	055-1382	055-4382	055-2382
CC M4 x 25 mm serrated washer head socket pin screw	1	510-1082	510-2082	510-2082
DD M4 x 10 mm serrated washer head socket pin screw	1	510-1060	510-2060	510-2060
EE retaining spacer	1	590-1135	590-2135	590-2135
FF 1" x 1 1/2" rollout protector	1	590-1055	590-7055	590-7055
GG 1" x 3/4" rollout protector	1	590-1072	590-7072	590-7072
HH VCR foam	1	599-3802	570-0015	570-0015
II 4 mm security allen wrench (for PAP only)	1	560-9646	560-9646	560-9646

Note: Actual parts may appear slightly different than illustrated.



- *Notch indicates front of projector. Flip projector upside down. Cut VCR foam (HH) to fit length of adapter plate (AA). Affix VCR foam (HH) as indicated below. Slide 1" x 3/4" rollout cover (GG) over tab on adapter plate (AA) as indicated below. Remove projector foot where indicated below. Attach adapter plate (AA) to projector using M4 x 25 mm screw (CC) and retaining spacer (EE). Slide 1" x 1 1/2" rollout cover (FF) over end of side bracket (BB). Attach side bracket (BB) to adapter plate (AA) using M4 x 10 mm screw (DD). Use security allen wrench (II) to tighten all screws.

Note: Remove foot before fastening screw (CC).



Retaining spacer (EE) goes between adapter plate and projector.



Rollout cover (GG) goes on end of tab on projector plate (AA).



VCR foam (HH) goes between adapter plate (AA) and projector.

