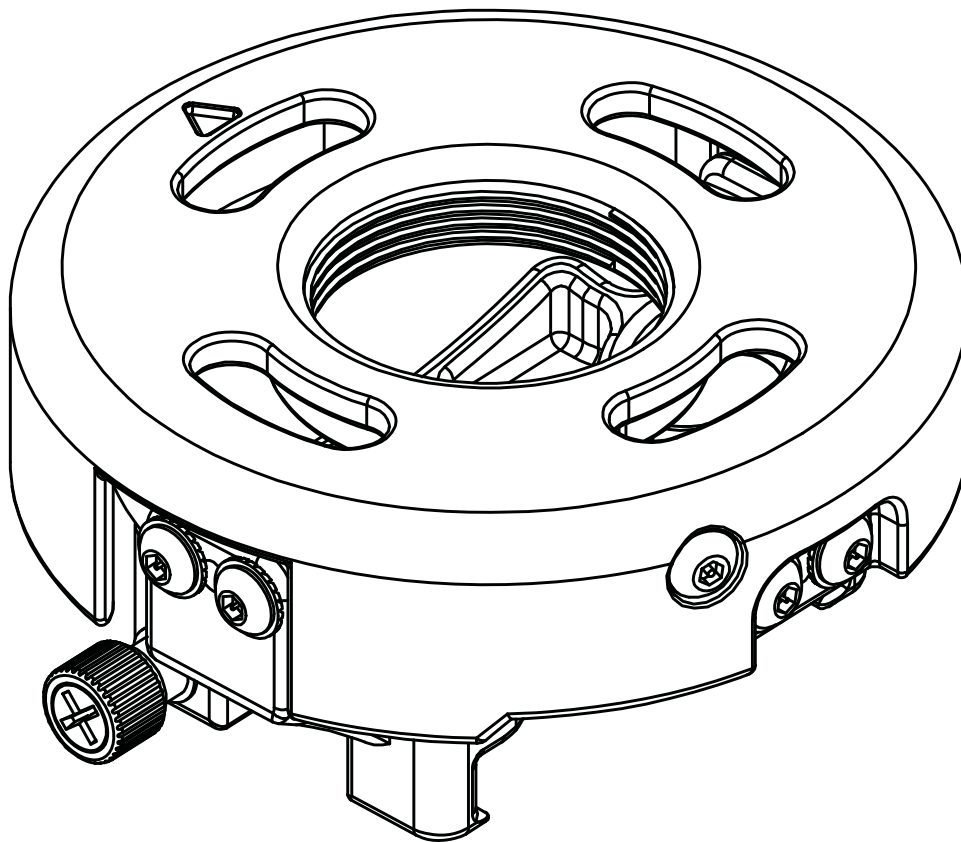




Installation and Assembly Manual:

PRS Series Projector Mount

Models: PRS-1, PRS-1S, PRS-1W



Features:

- ImageLock™ alignment prevents picture sag or drift
- Exclusive aluminum track quick release



This product is intended for use with UL Listed products and must be installed by a qualified professional installer.

Maximum UL Load Capacity:
25 lb (11 kg)

NOTE: Read entire instruction sheet before you start installation and assembly.

⚠ WARNING

- Do not begin to install your Peerless product until you have read and understood the instructions and warnings contained in this Installation Sheet. If you have any questions regarding any of the instructions or warnings, please call Peerless customer care at 1-800-865-2112.
- This product should only be installed by someone of good mechanical aptitude, has experience with basic building construction, and fully understands these instructions.
- Make sure that the supporting surface will safely support the combined load of the equipment and all attached hardware and components.
- Never exceed the Maximum UL Load Capacity. See page 1.
- If mounting to wood joist ceilings, make sure that mounting screws are anchored into the center of the joist. Use of an "edge to edge" stud finder is highly recommended.
- Always use an assistant or mechanical lifting equipment to safely lift and position equipment.
- Tighten screws firmly, but do not overtighten. Overtightening can damage the items, greatly reducing their holding power.
- This product is intended for indoor use only. Use of this product outdoors could lead to product failure and personal injury.
- This product was designed and intended to be mounted to the following supporting surfaces checked below with the hardware included in this product as specified in the installation sheet. To mount this product to an alternative supporting surface, contact Peerless customer care at 1 800 865-2112.
- This product was designed to be installed on the following ceiling construction only;

CEILING CONSTRUCTION

ADDITIONAL HARDWARE REQUIRED

<input checked="" type="checkbox"/> Wood Stud	None
<input checked="" type="checkbox"/> Wood Joist	None
<input checked="" type="checkbox"/> Solid Concrete	None
<input type="checkbox"/> Cinder Block	Contact Customer Service (Not Evaluated by UL)
<input type="checkbox"/> Metal Stud	Do not attach except with Peerless accessory kit for metal studs; Contact Customer Service for Peerless accessory kit for metal studs. (Not Evaluated by UL)
<input type="checkbox"/> Brick	Contact Customer Service (Not Evaluated by UL)
<input type="checkbox"/> Other or unsure?	Contact Customer Service (Not Evaluated by UL)

Tools Needed for Assembly

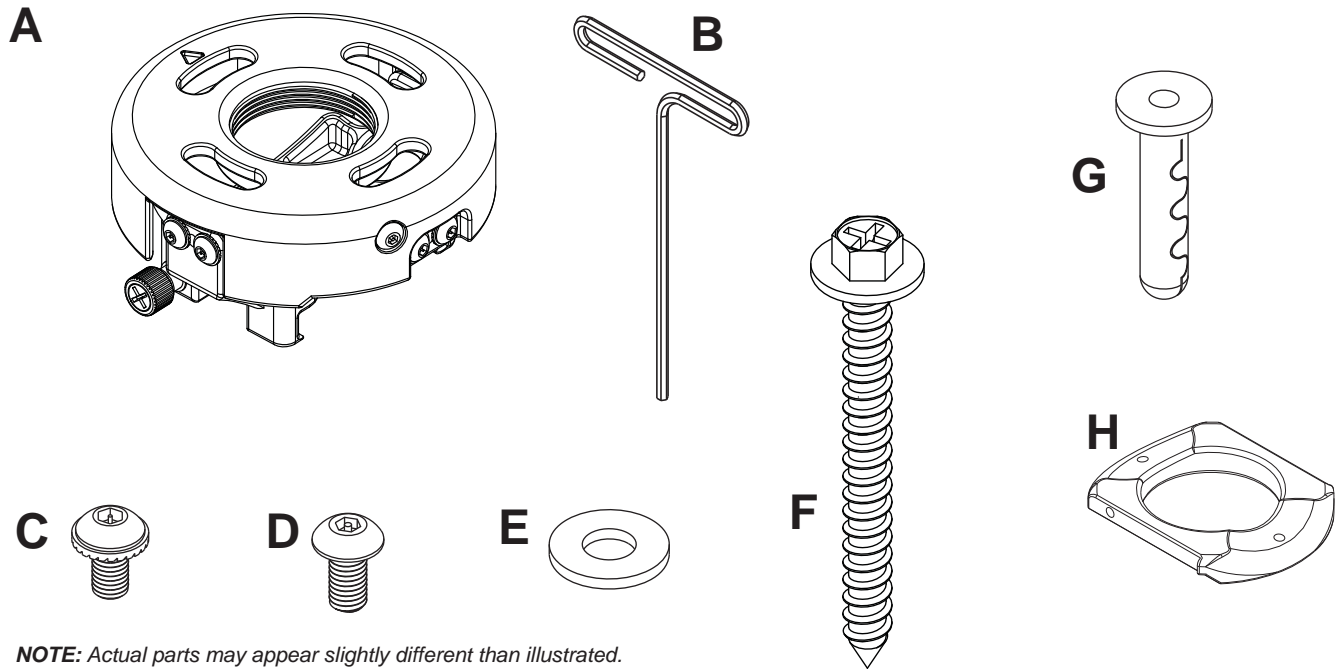
- stud finder ("edge to edge" stud finder is recommended)
- phillips screwdriver
- drill
- 1/4" bit for concrete surface
- 5/32" bit for wood studs
- level

Table of Contents

Parts List.....	3
Installation to Extension Columns / Ceiling Plate	4
Installation to Wood Joist Ceilings.....	5
Installation to Concrete Ceilings.....	6
Installation to Threaded Rods.....	7
Attaching Adapter Plate to Projector.....	8
Attaching Adapter Plate to Projector Mount.....	9
Cable Management	10
Projector Alignment	11
Accessories	12, 13

Before you start check the parts list to insure all of the parts shown are included.

Parts List			PRS-1	PRS-1S	PRS-1W
Description	Qty.	Part #	Part #	Part #	Part #
A projector mount assembly	1	055-1963	055-4963	055-2963	
B 4 mm security allen wrench	1	560-9646	560-9646	560-9646	
C #10-32 x 3/8" serrated washer head socket pin screw	2	520-1151	520-2151	520-2151	
D #10-32 x 1/4" socket pin screw	1	520-1196	520-2196	520-2196	
E flat washer	2	540-1078	540-1078	540-1078	
F #14 x 2.5 phillips hex head wood screw	2	5S1-015-C03	5S1-015-C04	5S1-015-C04	
G concrete anchor	2	590-0097	590-0097	590-0097	
H connection block	1	580-1065	580-4065	580-4065	



NOTE: Actual parts may appear slightly different than illustrated.

Installation to Extension Column / Ceiling Plate

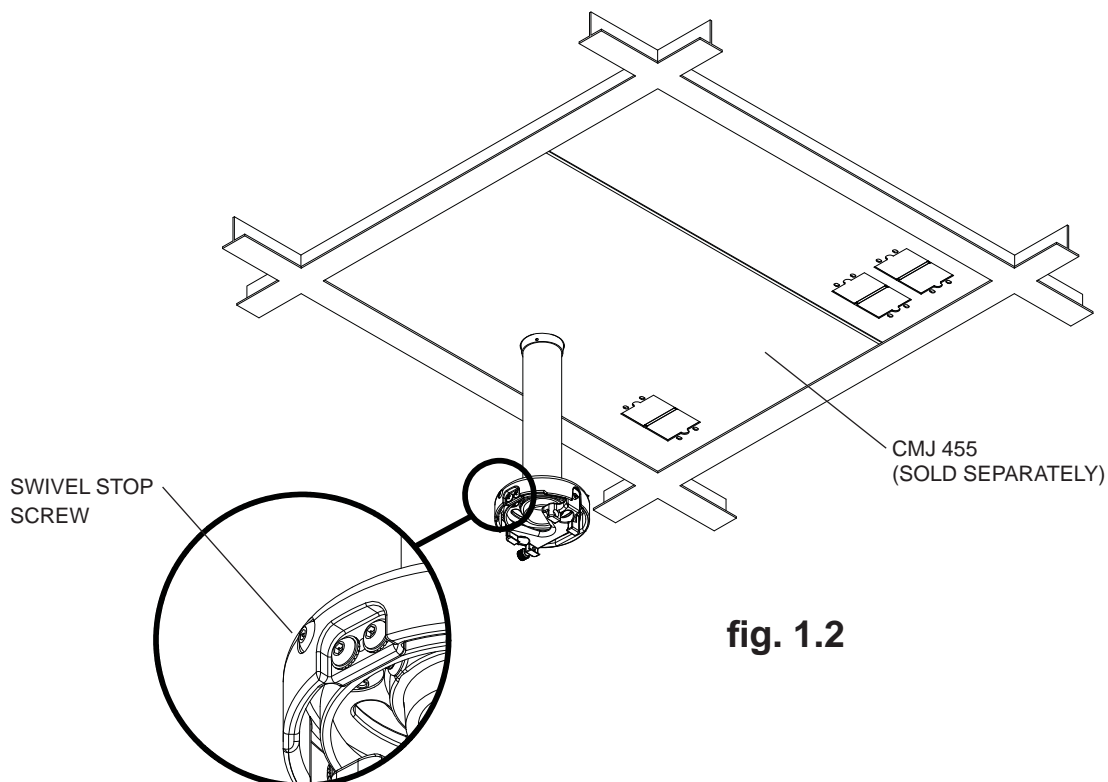
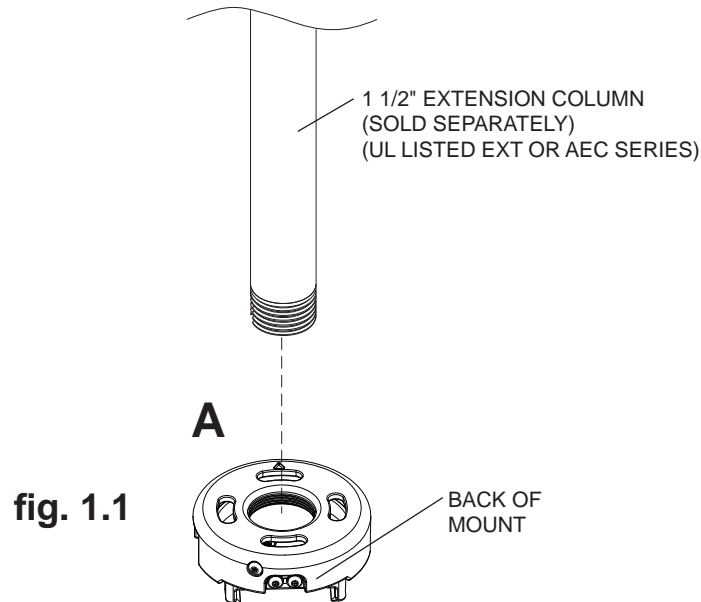
1 **NOTE:** Refer to accompanying instructions with ceiling plates (sold separately) for installing these models to ceiling.

Screw projector mount assembly (A) onto extension column as shown in **figure 1.1**.

Tighten swivel stop screw against extension column, flush mount tube or reducer using 4 mm security t-wrench (B) as shown in **figure 1.2**.

NOTE: Swivel stop screw is used to jam against threads of extension column, flush mount tube or reducer to prevent any excess movement of projector mount assembly (A). Do not overtighten screw; overtightening screw will damage threads making it difficult to separate products.

Skip to step 5.



Installation To Wood Joist Ceilings

⚠ WARNING

- Installer must verify that the supporting surface will safely support the combined load of the equipment and all attached hardware and components.
- Tighten wood screws so that projector mount assembly is firmly attached, but do not overtighten. Overtightening can damage the screws, greatly reducing their holding power.
- Never tighten in excess of 80 in. • lb (9 N.M.).
- Make sure that mounting screws are anchored into the center of the stud. The use of an "edge to edge" stud finder is highly recommended.
- Hardware provided is for attachment of mount through standard thickness drywall or plaster into wood studs. Installers are responsible to provide hardware for other types of mounting situations (not evaluated by UL).

2 Place projector mount assembly (A) on ceiling as a template and mark the center of the two mounting holes. Make sure that the mounting holes are in the center of the wood joist. Drill two 5/32" (4 mm) dia. holes to a minimum depth of 2.5" (64 mm). Attach projector mount assembly (A) with two #14 x 2.5" (6 mm x 65 mm) wood screws (F) and two flat washers (E) as shown in **figure 2.1** or **figure 2.2** depending on joist orientation.

NOTE: Mounting slots on projector mount assembly allow for 30° (±15°) of rotation before fully securing wood screws.

Tighten wood screws (F) using 3/8" (10 mm) socket wrench or phillips screwdriver until projector mount assembly (A) is firmly attached.

Skip to step 5.

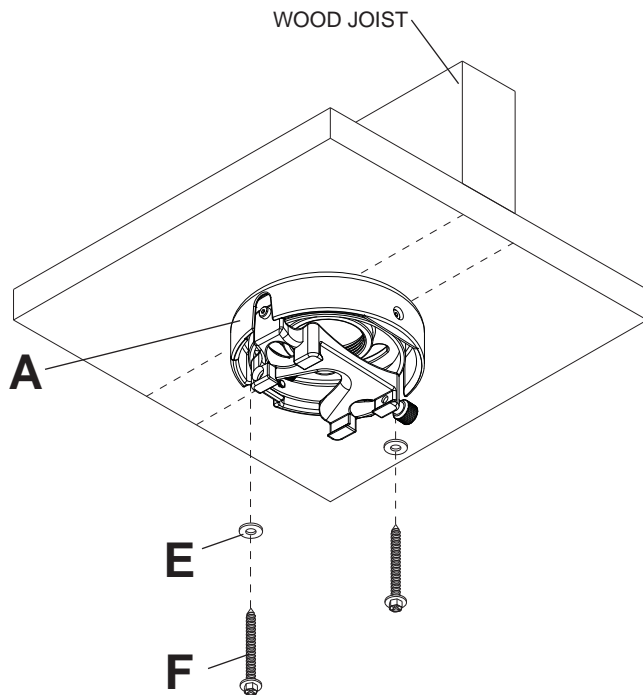


fig. 2.1

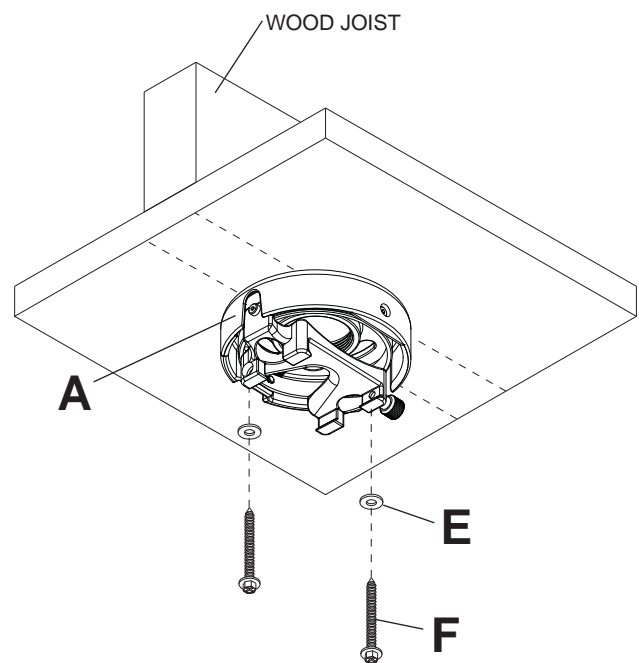


fig. 2.2

Installation to Concrete Ceilings

⚠ WARNING

- Concrete must be 2000 psi density minimum. Lighter density concrete may not hold concrete anchor.
- Make sure that the supporting surface will safely support the combined load of the equipment and all attached hardware and components.

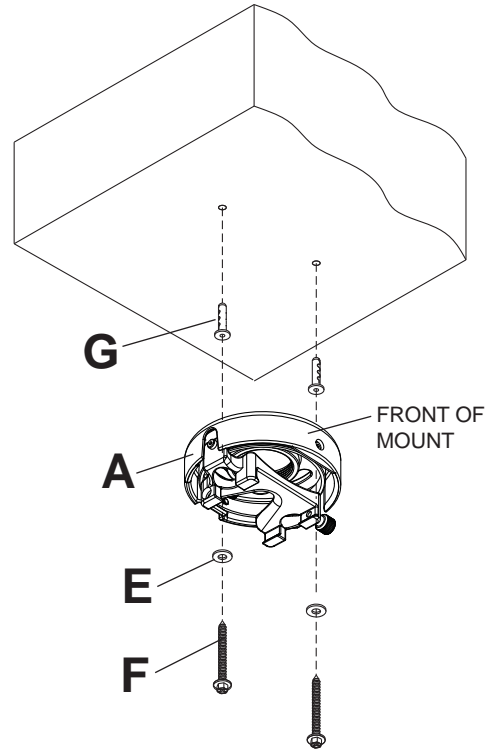
3

Place projector mount assembly (A) on ceiling as a template and mark the center of the two mounting holes. Drill two 1/4" (6 mm) dia. holes to a minimum depth of 2.5" (64 mm). Attach projector mount assembly (A) using two concrete anchors (G), two flat washers (E), and two #14 x 2.5" wood screws (F) as shown.

NOTE: Mounting slots on projector mount assembly allow for 30° (±15°) of rotation before fully securing wood screw.

Tighten wood screws (F) using 3/8" (10 mm) socket wrench or phillips screwdriver until projector mount assembly (A) is firmly attached.

Skip to step 5.

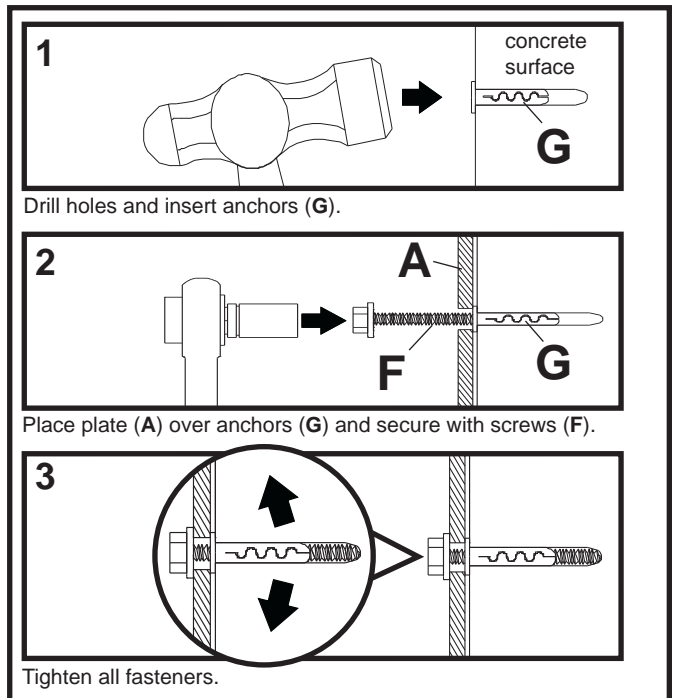
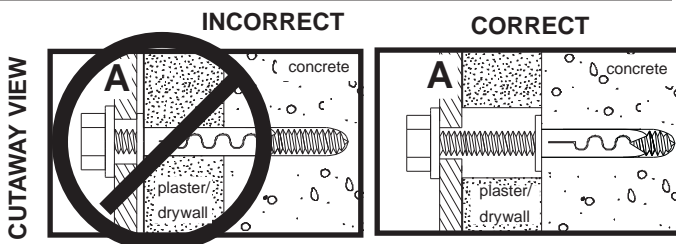


⚠ WARNING

- Tighten wood screws firmly, but do not overtighten. Overtightening can damage the screws, greatly reducing their holding power.
- Never tighten in excess of 80 in • lb (9 N.M.).

⚠ WARNING

- Always attach concrete anchors directly to load-bearing concrete.
- Never attach concrete anchors to concrete covered with plaster, drywall, or other finishing material. If mounting to concrete surfaces covered with a finishing surface is unavoidable (not evaluated by UL), the finishing surface must be counterbored as shown below. Be sure concrete anchors do not pull away from concrete when tightening screws. If plaster/drywall is thicker than 5/8", custom fasteners must be supplied by installer (not evaluated by UL).



Installation to Threaded Rod

(Not evaluated by UL - Professional installation only)

- 4 Thread two 3/8-16 hex thin nylon-insert locknuts (not included) on two 3/8-16 threaded rods (not included) to the desired height of projector mount assembly. Attach projector mount assembly (A) to the two 3/8-16 threaded rods using two 3/8-16 hex thin nylon-insert locknuts as shown in **figure 4.1** or **figure 4.2**.

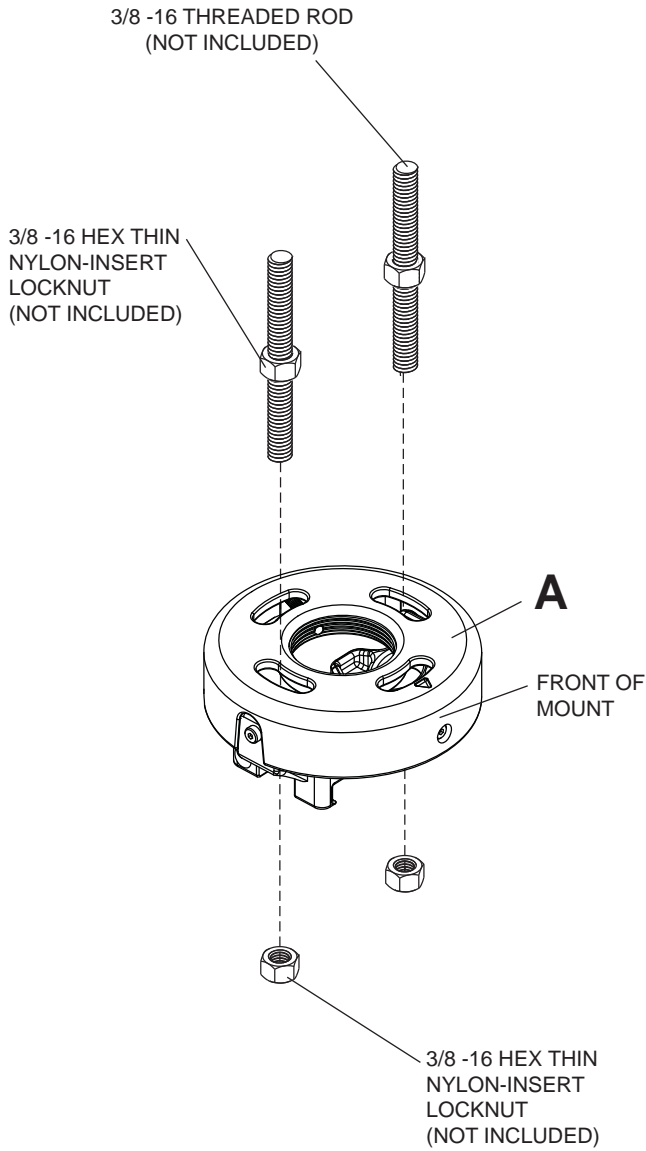


fig. 4.1

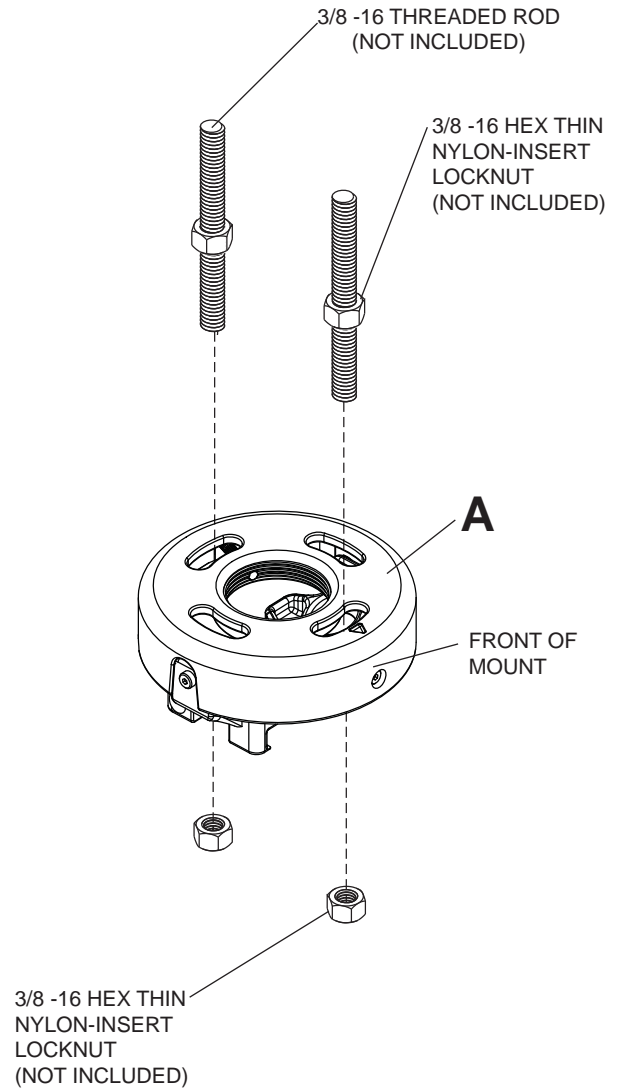


fig. 4.2

Attaching Adapter Plate to Projector

CAUTION

- It is the responsibility of the installer to ensure that the projector is properly ventilated.

5 Installing Dedicated PAP Series Adapter Plate (sold separately)

NOTE: The projector dedicated adapter plate you are installing may differ in appearance from the sample illustrated in figure 5.1.

Align shoulder of connection block (I) opposite notch of adapter plate. Attach dedicated adapter plate to connection block (I) using two #10-32 x 3/8" serrated washer head socket pin screws (C) as shown in figure 5.1.

NOTE: For PAP 35, PAP 40, and PAP 45 adapter plates, use two #10-32 x 3/4" screws provided with adapter plate in place of screws (C).

NOTE: Attach dedicated adapter plate to projector (see PAP instructions) before proceeding to step 6.

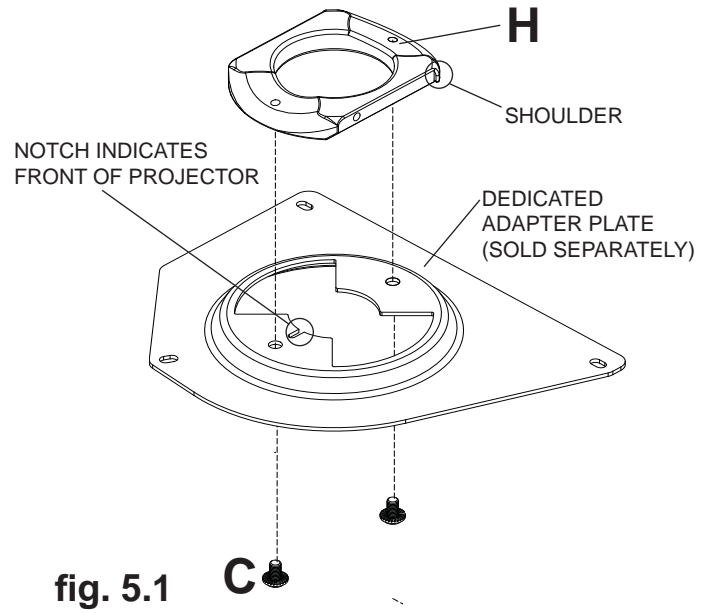


fig. 5.1

Installing PAP-UNV Adapter Plate (sold separately)

Align shoulder on connection block (I) opposite notch in adapter plate. Attach PAP-UNV adapter plate to connection block (I) using two #10-32 x 3/8" serrated washer head socket pin screws (C) as shown in figure 5.2.

NOTE: Attach PAP-UNV adapter plate to projector (see PAP-UNV instructions) before proceeding to step 6.

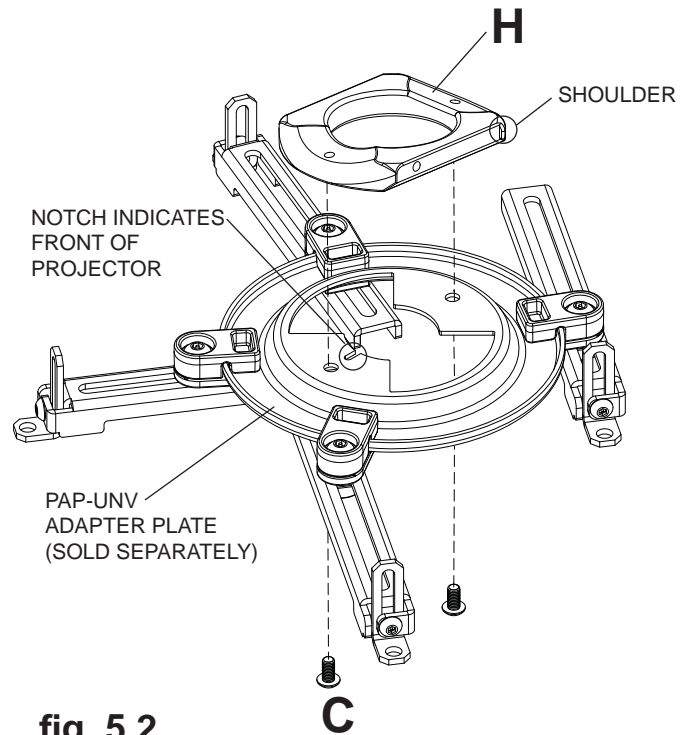


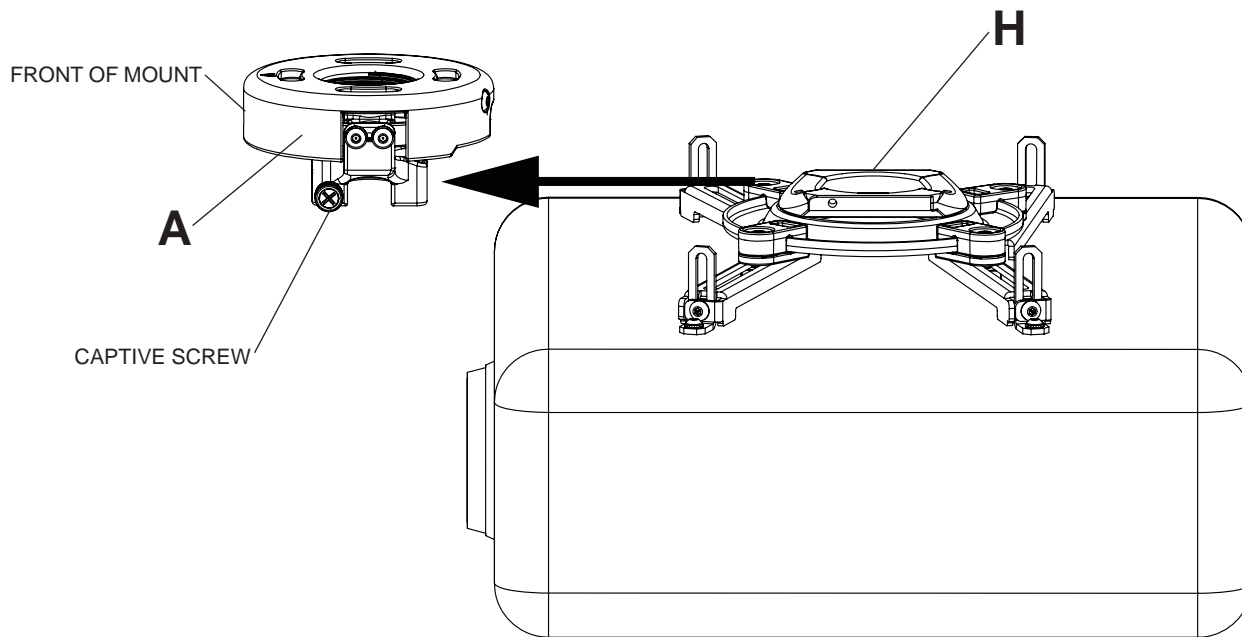
fig. 5.2

Attaching Adapter Plate to Projector (continued)

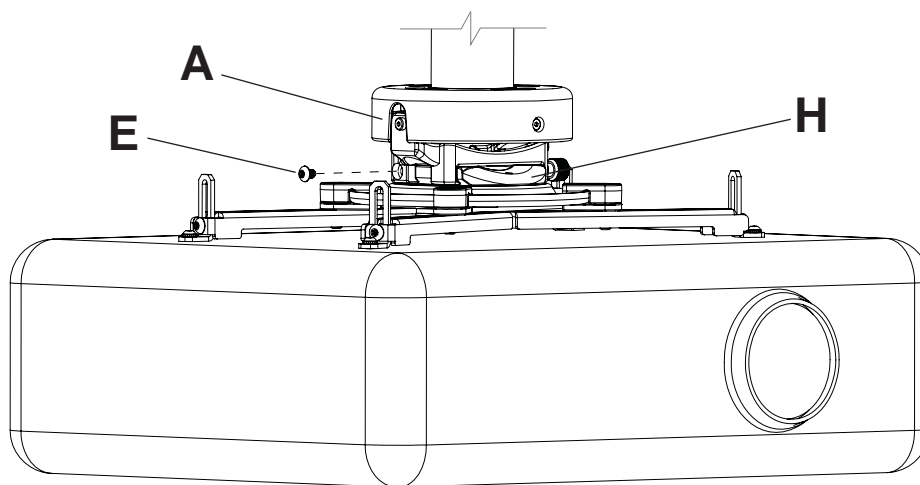
⚠ WARNING

- Always use an assistant or mechanical lifting equipment to safely lift and position the projector.

- 6 Slide connection block with projector into projector mount assembly (A) as shown. Push in and tighten captive screw to secure projector to projector mount assembly (A).



- 7 **IMPORTANT:** For security installations, insert one #10-32 x 1/4" socket pin screw (E) through projector mount assembly (A) and into connection block as shown. Tighten screw with 4mm security t-wrench (L).



Cable Management

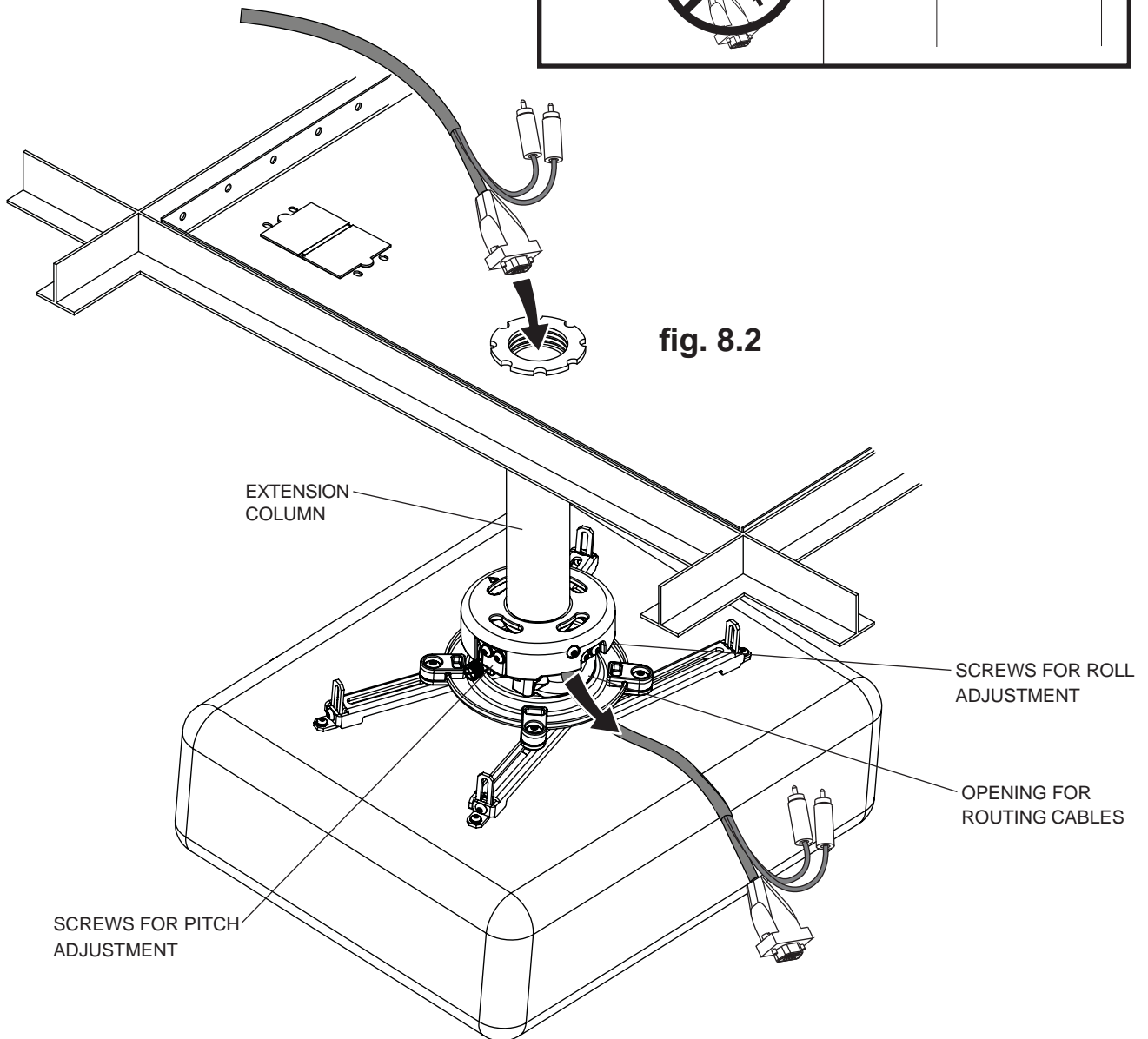
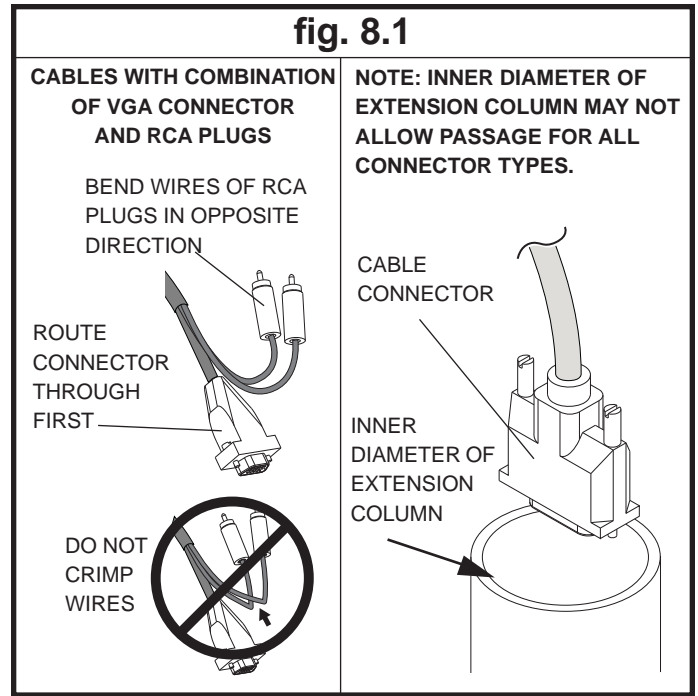
8 To make an opening to route cables through projector mount assembly, adjust projector mount assembly to full upward tilt position by turning knob for tilt adjustment as shown in figure 8.2. Left or right roll position can be adjusted if more space is required.

NOTE: Be certain tamper resistant screws are not engaged before making adjustments (see step 9).

Route cables through top of extension column as shown in figure 8.1 and figure 8.2.

NOTE: A method for assisting cables through extension column may be required (example: string tied to connector to help pull through extension column).

Route cables through projector mount assembly as shown in figure 8.2 and connect to projector.



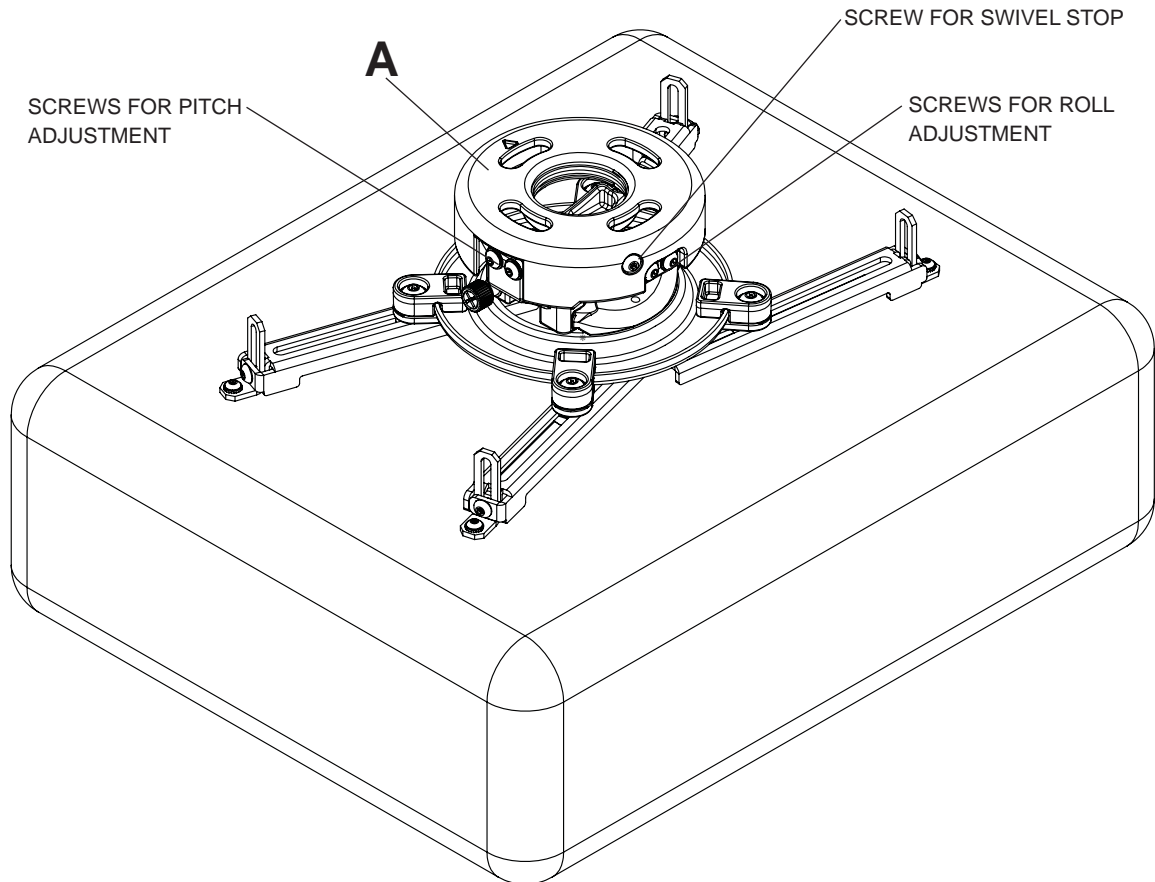
Projector Alignment

9 To adjust yaw (swivel) for wood stud, concrete ceiling, and threaded rod mounting applications: Loosen wood screws (F), or locknuts for threaded rods, until projector mount can be rotated. Rotate mount to desired position and retighten screws or locknuts.

To adjust yaw (swivel) for extension column applications: Loosen screw on projector mount assembly (A) indicated below until projector mount can be rotated. Rotate mount to desired position and retighten screw.

To adjust pitch (forward and backward tilt): Loosen two screws on projector mount assembly (A) indicated below. Tilt mount to desired position and retighten screws.

To adjust roll (side to side tilt): Loosen two screws on projector mount assembly (A) indicated below. Tilt mount to desired position and retighten screws.

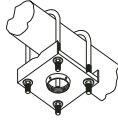


PRS Series Projector Mount Accessories

Ceiling Plates

Truss Ceiling Adapter

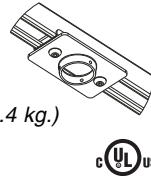
MODEL: ACC 557*
MAX LOAD: 250 lbs. (113.4 kg.)
COLOR: Black



- Attaches to a square, round, rectangular, or I-Beam truss up to 3" in diameter

Unistrut® Adapter

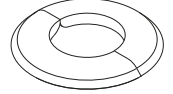
MODEL: ACC 550
MAX LOAD: 250 lbs. (113.4 kg.)
COLOR: Black



- Designed for use with 1 5/8" x 1 5/8" 12 gauge Unistrut

Escutcheon Ring

MODEL: ACC 640

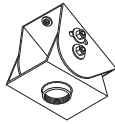


- Covers hole where extension column passes through ceiling
- Hinged ring wraps around extension column
- Included with CMJ 500

New!

Lightweight Cathedral Ceiling Plate

MODEL: ACC 912*
MAX LOAD: 60 lbs. (27.2 kg.)
COLOR: Black

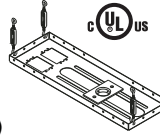


- Designed specifically for projectors
- Allows a projector to be mounted on an angled ceiling

New!

Lightweight Adjustable Suspended Ceiling Kit

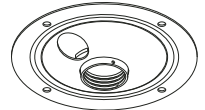
MODEL: CMJ 500
MAX LOAD: 60 lbs. (27.2 kg.)
COLOR: White



- Mounts above 2' x 4' or 2' x 2' false ceiling tile
- Includes tie wire supports, flush mount tube, and offers two knockout panels for outlet boxes
- Offers unlimited adjustment for projector placement

Round Ceiling Plate

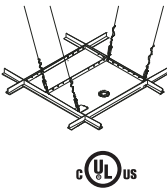
MODEL: ACC570(S)(W)
COLOR: Black, silver or white
MAX LOAD: 150 lb (68 kg)
SHIP WEIGHT: 1.7 lb (.8 kg)



- Designed for finished or structural ceilings (wood or concrete)
- Features a cord management

Lightweight Suspended Ceiling Kit

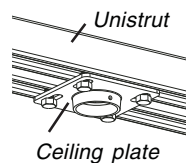
MODEL: CMJ 455
MAX LOAD: 50 lbs. (22.7 kg.)
COLOR: White



- Five different projector mount attachment points
- Includes tie wire supports, flush mount tube, and offers two knockout panels for outlet boxes
- May either **replace** a 2' x 2' false ceiling tile or mount **above** an existing 2' x 2' or 2' x 4' ceiling tile

Unistrut or Structural Ceiling Plates

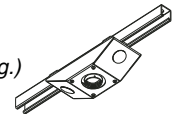
MODELS: CMJ 300*, CMJ 310*
MAX LOAD: 250 lbs. (113.4 kg.)
COLOR: Black



- CMJ 300 is a 4" x 4" ceiling plate
- CMJ 310 is a 8" x 8" ceiling plate
- Designed for a Unistrut ceiling (1 5/8" x 1 5/8" 12 gauge Unistrut) or a solid structural ceiling (mounting hardware not included)

Anti-Vibration Ceiling Plates

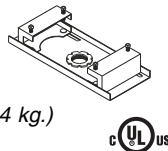
MODELS: ACC 840*, ACC 845*
MAX LOAD: 60 lbs. (27.2 kg.)
COLOR: Black



- ACC 840 was designed for a structural ceiling (wood only)
- ACC 845 was designed for a Unistrut ceiling (1 5/8" x 1 5/8" 12 gauge Unistrut)
- Reduces unwanted vibrations that may cause internal damage to the equipment and/or cause the screen image to vibrate
- Features two cord management access holes
- Patent pending

I-Beam Clamps

MODELS: ACC 558, ACC 559
MAX LOAD: 250 lbs. (113.4 kg.)
COLOR: Black



- ACC 558 clamps onto 4"-8" I-Beam
- ACC 559 clamps onto 7"-12" I-Beam

Accessory Pack for CMJ 455

MODEL: ACC 455*

This pack includes 4 hanger brackets and 4 hanger clamps for additional stability. For use with model CMJ 455.

* = Not UL Listed

PRS Series Projector Mount Accessories

Cord Management

Cord Wrap

MODELS: ACC 852(W)(S)*

COLOR: Black, White, or Silver



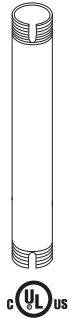
- Includes, four, 2' sections
- Designed to externally route cords along the outside of an 1/2" extension column
- Sections can be stacked to create longer lengths or cut to desired length

Extension Columns

Fixed Length 1 1/2" Extension Columns

COLOR: Black

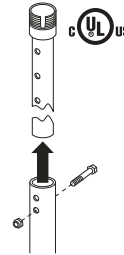
MODEL	Drop Length	Ship Weight
EXT 006	8" (20 cm)	2.5 lbs (1.13 kg)
EXT 018	20" (51 cm)	5 lbs (2.27 kg)
EXT 101	14" (36 cm)	3.5 lbs (1.59 kg)
EXT 102	26" (66 cm)	6 lbs (2.72 kg)
EXT 103	38" (97 cm)	9.25 lbs (4.2 kg)
EXT 104	50" (127 cm)	12 lbs (5.44 kg)
EXT 105	62" (158 cm)	14.75 lbs (6.69 kg)
EXT 106	74" (188 cm)	18 lbs (8.16 kg)
EXT 107	86" (219 cm)	20.75 lbs (9.41 kg)
EXT 108	98" (249 cm)	23.25 lbs (10.55 kg)
EXT 109	110" (279 cm)	26.5 lbs (12.02 kg)
EXT 110	122" (310 cm)	29 lbs (13.15 kg)



Adjustable Length 1 1/2" Extension Columns

COLOR: Black

MODEL	Drop Length	Ship Weight
ADJ 006009	8"-11"	4 lbs. (1.81 kg)
ADJ 012018	14"-20"	4.75 lbs. (2.15 kg)
ADJ 018024	20"-26"	6.25 lbs. (2.83 kg)
ADJ 0203	26"-38"	8 lbs. (3.63 kg)
ADJ 0305	38"-62"	13.5 lbs. (6.12 kg)
ADJ 0406	50"-74"	16.25 lbs. (7.37 kg)
ADJ 0507	62"-86"	18.5 lbs. (8.39 kg)
ADJ 0608	74"-98"	21.75 lbs. (9.87 kg)
ADJ 0709	86"-110"	24.5 lbs. (11.11 kg)
ADJ 0810	98"-122"	27 lbs. (12.25 kg)
ADJ 0911	110"-134"	29 lbs. (13.15 kg)
ADJ 1012	122"-146"	31 lbs. (14.06 kg)

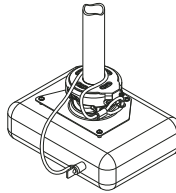


Security Accessories

Armor Lock™ Plus Security Cables

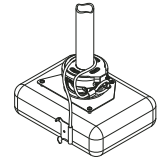
MODEL: ACC 020*

- With security lock
- For use with projectors that have a built-in security slot



MODEL: ACC 021*

- With 1/4" security cable and fasteners
- Includes adhesive for non-fastener applications



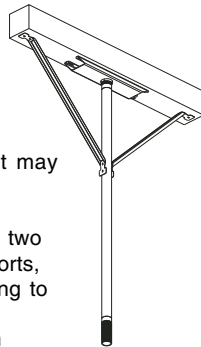
Additional Projector Mount Accessories

Extension Column Stabilizer Kit

MODEL: ACC 050*

COLOR: Black

- Can be used to reduce unwanted swaying that may occur with extension column installations
- Includes a hose clamp, two stabilizer column supports, & hardware for mounting to wood joists
- For use with extension columns over 21"

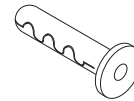


ALLIGATOR® Concrete Anchors

Concrete Anchors

MODELS: ACC 203, 204

- ACC 203 contains 3 anchors
- ACC 204 contains 4 anchors
- Used for attachment to concrete, concrete block, or brick
- Used in conjunction with wood screws (supplied with projector mount and/or ceiling plate)
- Expands in length and binds to the contours of the hole and the screw



Extension Column Connector with Cord Management

MODEL: ACC800, ACC850(S)

COLOR: ACC800 Black

ACC850 Black or Silver

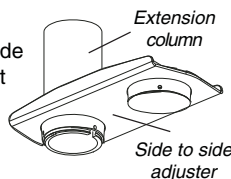
- 1-1/2" access hole for internal cord management
- Unit has 1-1/2"-11.5 NPT fitting for attachment of extension column
- Security screws included
- ACC800: One male and one female connection to provide internal cord management between extension column and mount or ceiling plate
- ACC850: Two female connectors to join two extension columns to create maximum length of 20'

Side-To-Side Adjuster

MODEL: ACC 830*

COLOR: Black

- Provides 4" of radial adjustment side to side
- Includes Flush Mount Tube, EXT 002

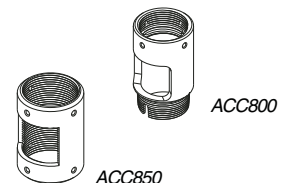


Extension Column Connector

MODEL: ACC 109*

COLOR: Black

- Can be used to join two 1-1/2" extension columns to create a maximum length of 20'
- Secures to columns with Armor Lock™ Security screws



* = Not UL Listed