

Installation and Assembly - Projector Adapter Plate for Sanyo™ PLV-Z2 Projector

Models: PAP 213, PAP 213-S, PAP 213-W

IMPORTANT! Read entire instruction sheet before you start installation and assembly.

Before you start check the parts list below to make sure all of the parts shown are included.

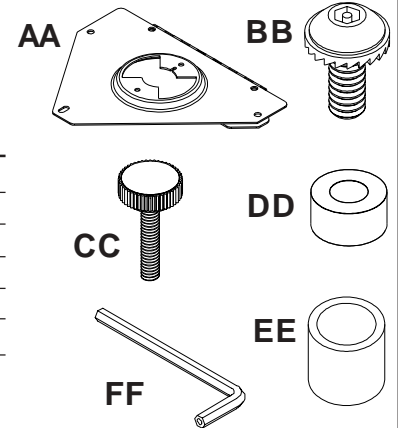
⚠ WARNING

- Installer must verify that the ceiling will safely support four times the combined weight of all attached equipment and hardware.

Parts List

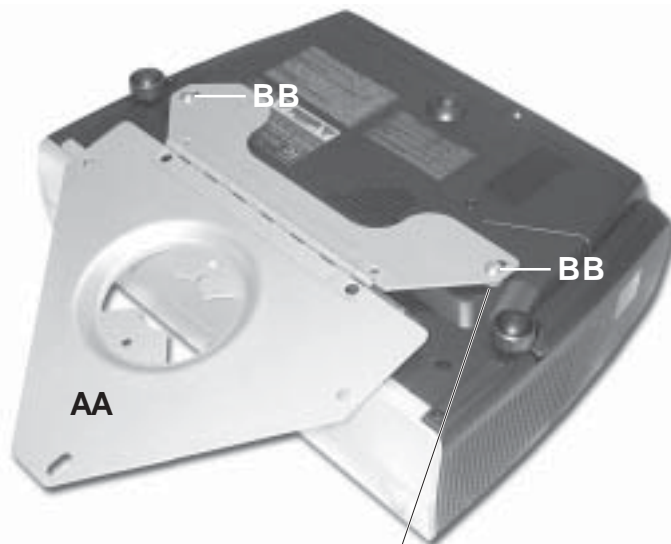
Description	Qty.	PAP 213	PAP 213-S	PAP 213-W
AA adapter plate	1	055-1440	055-4440	055-2440
BB M6 x 12 mm serrated washer head socket pin screw	2	510-1050	520-2050	520-2050
CC M6 x 1 x 20 mm thumb screw	1	560-1159	560-7159	560-7159
DD .25 x .56 x .26 spacer	2	590-1050	590-2071	590-2071
EE .385 x .5 x .5 nylon spacer	1	590-1104	590-2104	590-2104
FF 4 mm security allen wrench (for PAP only)	1	560-9646	560-9646	560-9646

Note: Actual parts may appear slightly different than illustrated.



- 1 Flip projector upside down. Fasten adapter plate (AA) using two spacers (DD) and two M6 x 12 mm screws (BB) with 4 mm security allen wrench (FF) as indicated below.

- 2 *Notch indicates front of projector. Place nylon spacer (EE) on remaining hole on projector. Then close adapter plate (AA) and fasten with thumb screw (CC).



Spacers (DD) go between adapter plate and projector.



Nylon spacer (EE) goes between adapter plate and projector.

