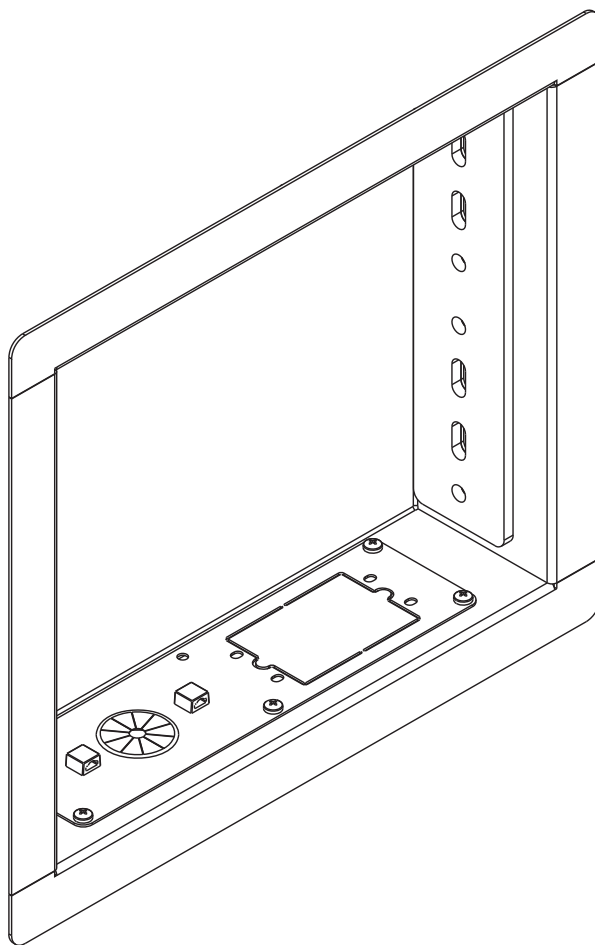




Installation and Assembly: In-wall Mount for up to 40" Flat Panel Screens

Models: IB40, IB40-S, IB40-W



**IN-WALL MOUNT USED WITH ARTICULATING ARM MOUNTS:
PA730, PA740, PP730 and PP740 (NOT INCLUDED)**

Note: Read entire instruction sheet before you start installation and assembly.

⚠ WARNING

- Do not begin to install your Peerless product until you have read and understood the instructions and warnings contained in this Installation Sheet. If you have any questions regarding any of the instructions or warnings, please call Peerless customer care at 1-800-865-2112.
- This product should only be installed by someone of good mechanical aptitude, has experience with basic building construction, and fully understands these instructions.
- Make sure that the supporting surface will safely support the combined load of the equipment and all attached hardware and components.
- Never exceed the Maximum Load Capacity.
- If mounting to wood wall studs, make sure that mounting screws are anchored into the center of the studs. Use of an "edge to edge" stud finder is highly recommended.
- Always use an assistant or mechanical lifting equipment to safely lift and position equipment.
- Tighten screws firmly, but do not overtighten. Overtightening can damage the items, greatly reducing their holding power.
- This product was designed and intended to be mounted to the following supporting surfaces checked below with the hardware included in this product as specified in the installation sheet. To mount this product to an alternative supporting surface, contact Peerless customer care at 1 800 865-2112.
- This product was designed to be installed on the following wall construction only;

WALL CONSTRUCTION

ADDITIONAL HARDWARE REQUIRED

| | |
|---|--------------------------|
| <input checked="" type="checkbox"/> Wood Stud | None |
| <input type="checkbox"/> Wood Beam | Contact Customer Service |
| <input type="checkbox"/> Solid Concrete | Contact Customer Service |
| <input type="checkbox"/> Cinder Block | Contact Customer Service |
| <input type="checkbox"/> Metal Stud | Contact Customer Service |
| <input type="checkbox"/> Brick | Contact Customer Service |
| <input type="checkbox"/> Other or unsure? | Contact Customer Service |

Tools Needed for Assembly

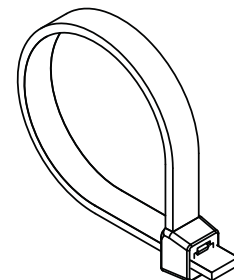
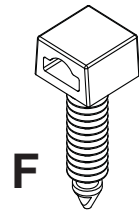
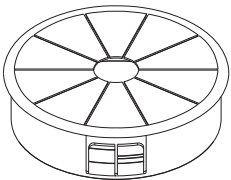
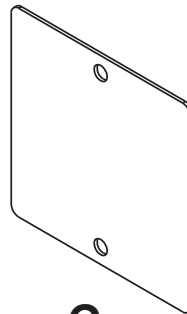
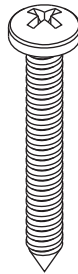
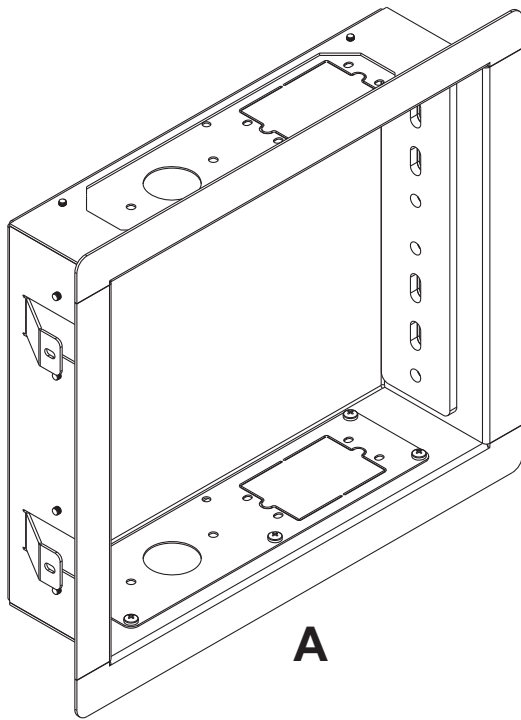
- stud finder ("edge to edge" stud finder is recommended)
- phillips screwdriver
- drill
- 5/32" and 1/8" bit for wood stud wall
- level

Table of Contents

| | |
|---|---|
| Parts List..... | 3 |
| Installation to Wood Stud Wall..... | 4 |
| Installing Articulating Arm to In-wall Box..... | 5 |
| Attaching Screen | 5 |
| Cable Management..... | 6 |

Before you begin, make sure all parts shown are included with your product.
Parts may appear slightly different than illustrated.

| Parts List | | | IB40 | IB40-S | IB40-W |
|---------------------------------|-------------|---------------|---------------|---------------|---------------|
| Description | Qty. | Part # | Part # | Part # | Part # |
| A in-wall box | 1 | 095-P1536 | 095-C4536 | 095-2536 | |
| B #10 x 1.5" wood screw | 2 | 500-2002 | 500-2002 | 500-2002 | |
| C mounting cover plate | 2 | 095-P1533 | 095-C4533 | 095-2533 | |
| D ribbed rivet | 4 | 590-1296 | 590-1296 | 590-1296 | |
| E cable bushing | 2 | 590-1295 | 590-1295 | 590-1295 | |
| F cable management clips | 4 | 590-1166 | 590-1166 | 590-1166 | |
| G plastic finishing cap | 2 | 590-1123 | 590-1123 | 590-1123 | |
| H cable tie | 4 | 590-1168 | 590-1168 | 590-1168 | |



Installation to Wood Stud Wall

⚠ WARNING

- Installer must verify that the supporting surface will safely support the combined load of the equipment and all attached hardware and components.
- Tighten wood screws so that wall plate is firmly attached, but do not overtighten. Overtightening can damage the screws, greatly reducing their holding power.
- Never tighten in excess of 80 in. • lb (9 N.M.).
- Make sure that mounting screws are anchored into the center of the stud. The use of an "edge to edge" stud finder is highly recommended.
- Hardware provided is for attachment of mount through standard thickness drywall or plaster into wood studs. Installers are responsible to provide hardware for other types of mounting situations.

1 In-wall box (A) must be installed between two studs 16" on center. Use an edge-to-edge stud finder to locate the edges of the stud. Based on its edges, draw two vertical lines down the inside edges of stud's. Mark desired center of in-wall box. Draw a horizontal line 6-1/8" (150 mm) above center of in-wall box (A). Draw a second horizontal line 12-1/4" (311 mm) below this line to outline wall opening between inside edges of studs. Remove drywall inside cut outline.

NOTE: In-wall box (A) can be installed for left or right side mount orientation as shown in figure 1.2.

Insert in-wall box (A) into cut-out until flange is flush with drywall.

Level in-wall box (A), and mark the position of two mounting holes using holes on mounting tabs. Remove in-wall box (A) and drill 1/8" (3 mm) dia. holes 1-1/2" (38 mm) deep using the locations previously marked. Reinstall and level in-wall box (A). Secure using two #10 X 1-1/2" wood screws (B) as shown in figure 1.3.

Attach two mounting cover plates (C) to in-wall box (A) using four ribbed rivets (D) as shown in figure 1.4.

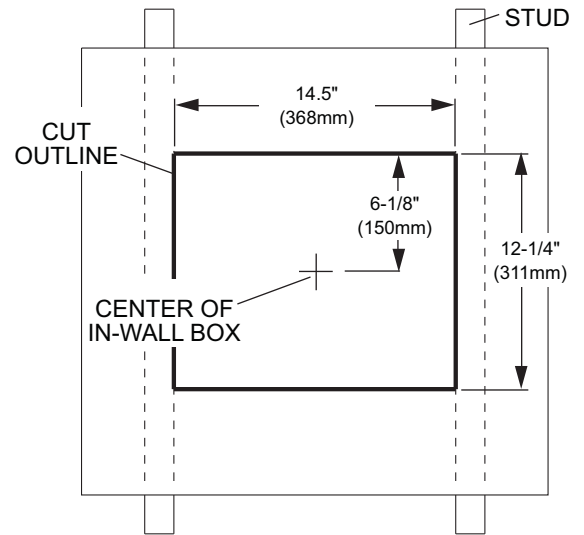


fig. 1.1

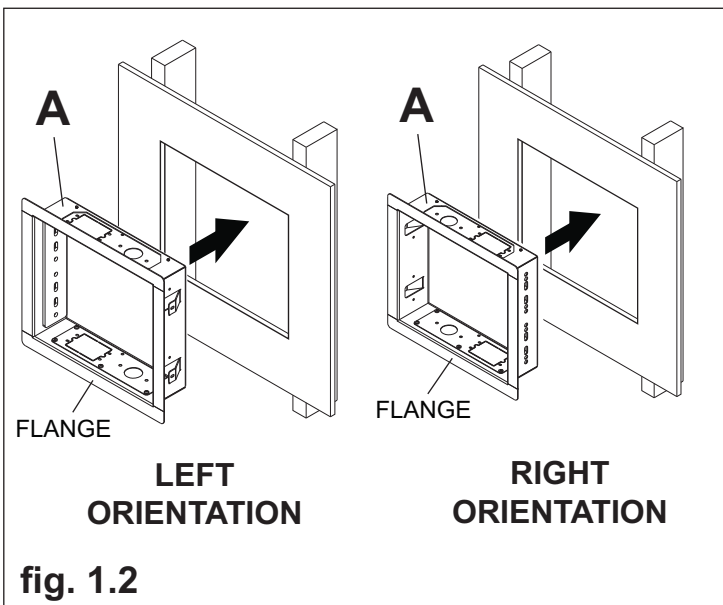


fig. 1.2

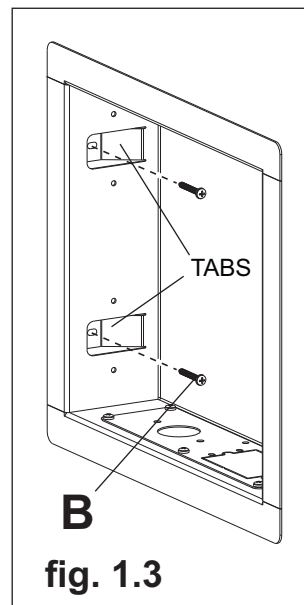


fig. 1.3

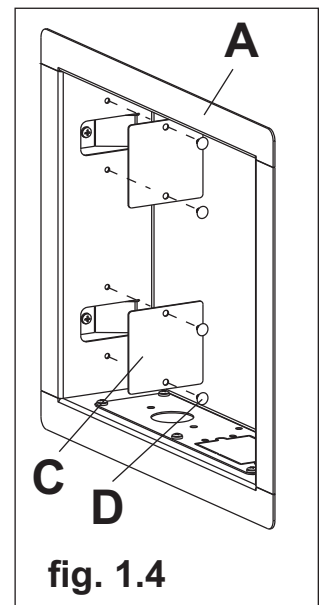


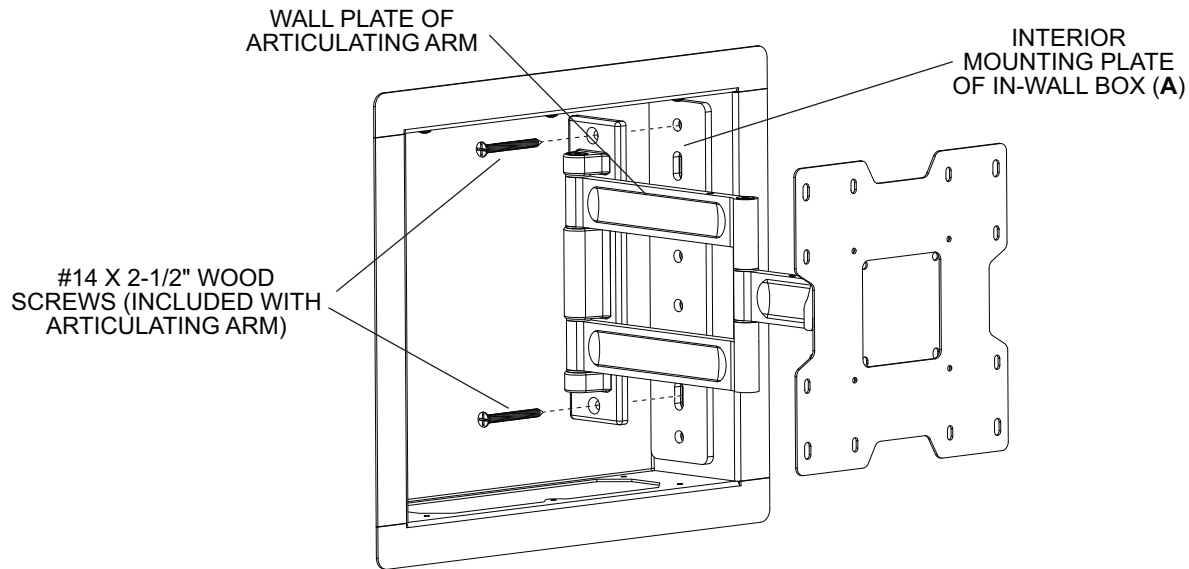
fig. 1.4

Installing Articulating Arm to In-wall Box

- 2** Choose hole pattern on interior mounting plate of in-wall box (**A**) which align with hole pattern on the wall plate of articulating arm. Mounting hole alignments may be selected for different height installations.

Note: Consider position of screen center or routing of cables before securing arm to in-wall box.

Drill two 5/32" (4 mm) holes 2.5" (65 mm) deep using interior mounting plate holes of in-wall box (**A**) as a guide. Attach arm to in-wall box using two #14 x 2-1/2" wood screws (included with articulating arm).



MODEL PA740 ARTICULATING ARM SHOWN
(NOT INCLUDED)

Installing Screen to Arm

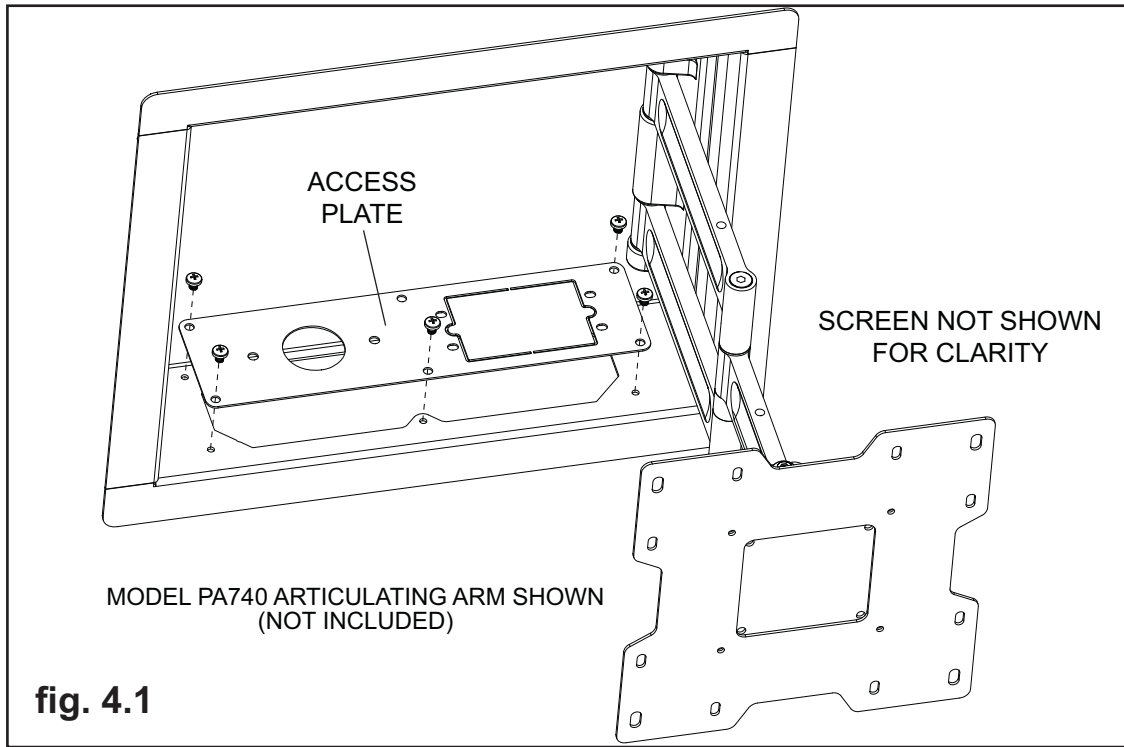
- 3** Refer to instruction included with articulating arm (sold separately) for installation of screen.

⚠ CAUTION

- Do not exceed the Maximum Load Capacity indicated on articulating arm instruction.

Cable Management

- 4** For optional installation of electrical gang box, access plates located on the bottom or top of in-wall box can be temporarily removed to install electrical gang box as shown in figure 4.1.



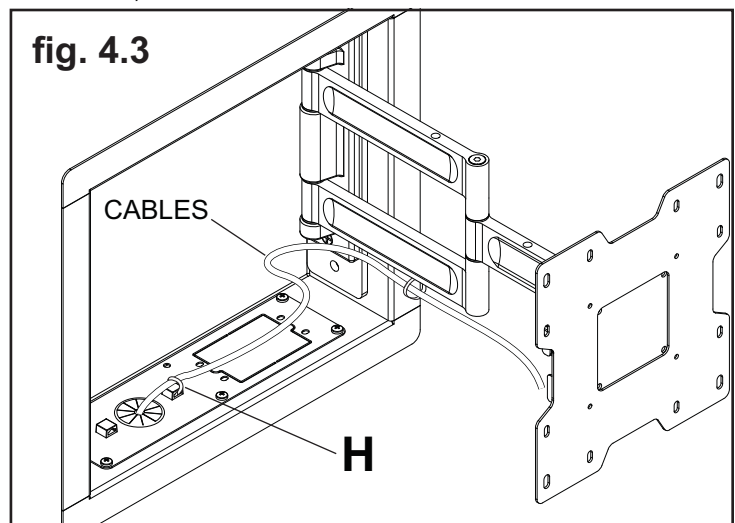
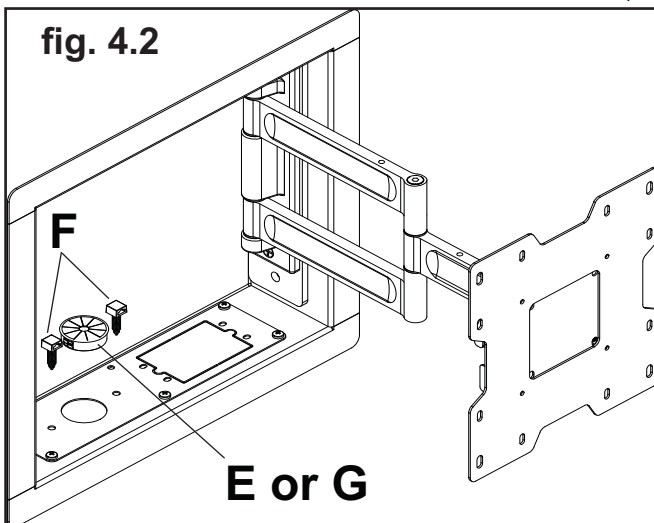
- 4-1** Insert up to four cable management clips (**F**) into the desired positions in the in-wall box as shown in figure 4.2 for routing cables. Refer to instruction included with articulating arm for cable management with arm.

Insert cable bushing (**E**) into top or bottom hole of in-wall box for routing cables through in-wall box. Plastic finishing caps (**G**) can be used in holes where cables are not being routed.

NOTE: Make sure cables have enough slack to allow full movement of the arm.

Use cable ties (**H**) to secure cables to cable management clips as shown in figure 4.3.

MODEL PA740 ARTICULATING ARM SHOWN (NOT INCLUDED)



SCREEN NOT SHOWN FOR CLARITY