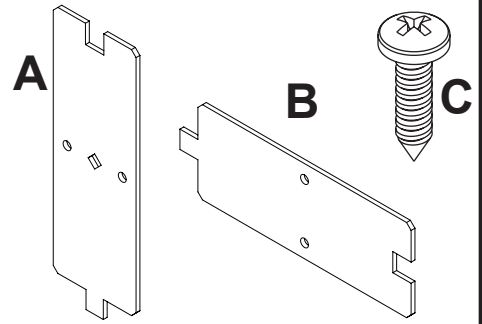


Installation and Assembly: Matrix Spacers

Before you begin, make sure all parts shown are included with your product.
Parts may appear slightly different than illustrated.

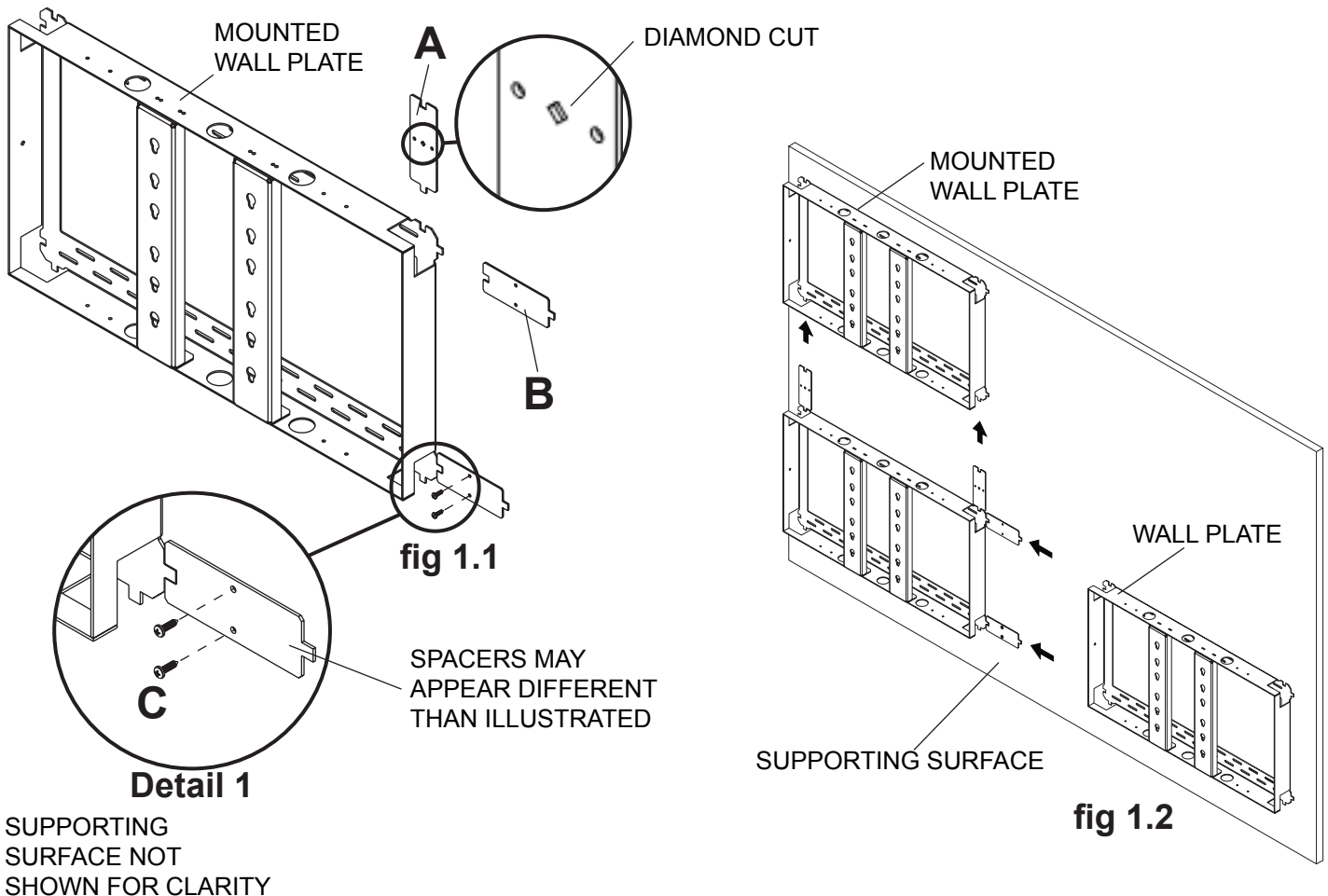


Parts List		Black	Silver
Description	Qty.	Part #	Part #
A vertical spacer	2	See chart on page 3	See chart on page 3
B horizontal spacer	2	See chart on page 3	See chart on page 3
C #10 x 3/4" wood screws	8	500-9006	500-2014

Mounting VW-4050-B, VW-4050-S

NOTE: Refer to main product instruction for wall plate installation. Vertical spacer (A) is identified by diamond cut.

- Slide spacers (A and B) into tab of mounted wall plate as shown in figure 1.1. Keeping spacers (A and B) flush up against wall plate fasten with two #10 x 3/4" wood screws (C) as shown in detail 1. There must be two spacers on the side the additional wall plate will be placed. Align the tabs of the additional wall plate flush with the spacers. Follow main instruction for proper installation of additional wall plates.

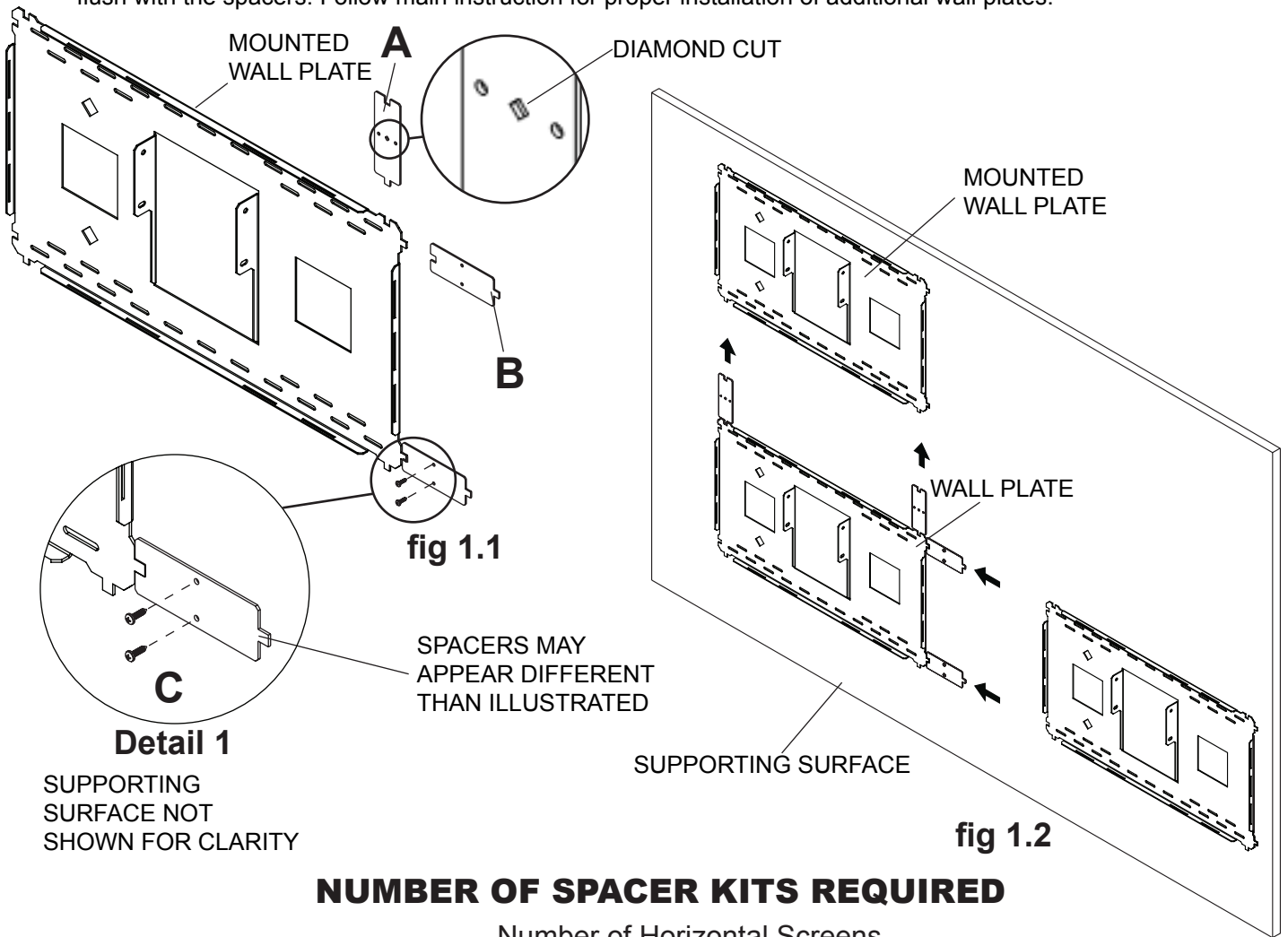


SUPPORTING SURFACE NOT SHOWN FOR CLARITY

Mounting VWP-4050-B, VWP-4050-S

NOTE: Refer to main product instruction for wall plate installation. Vertical spacer (A) is identified by diamond cut.

- Slide spacers (A and B) into tab of mounted wall plate as shown in figure 1.1. Keeping spacers (A and B) flush up against wall plate fasten with two #10 x 3/4" wood screws (C) as shown in detail 1. There must be two spacers on the side the additional wall plate will be placed. Align the tabs of the additional wall plate flush with the spacers. Follow main instruction for proper installation of additional wall plates.



NUMBER OF SPACER KITS REQUIRED

Number of Horizontal Screens

Number of Screens	1	2	3	4	5	6	7	8	9	10
1	0	1	2	3	4	5	6	7	8	9
2	1	2	4	6	8	10	12	14	16	18
3	2	4	6	9	12	15	18	21	24	27
4	3	6	9	12	16	20	24	28	32	36
5	4	8	12	16	20	25	30	35	40	45
6	5	10	15	20	25	30	36	42	48	54
7	6	12	18	24	30	36	42	49	56	63
8	3	14	21	28	35	42	49	56	64	72
9	8	16	24	32	40	48	56	64	72	81
10	9	18	27	36	45	54	63	72	81	90

Number of Vertical Screens

CHART

MODEL	VERTICAL	HORIZONTAL	SCREEN
ACC-VW01-B	124-1913	124-1913	ORION 42
ACC-VW01-S	124-4913	124-4913	ORION 42
ACC-VW02-B	124-1915	124-1914	NEC4020
ACC-VW02-S	124-4915	124-4914	NEC4020
ACC-VW04-B	124-1917	124-1916	Pana TH-42PH10UK
ACC-VW04-S	124-4917	124-4916	Pana TH-42PH10UK
ACC-VW05-B	124-1919	124-1918	NECPX42P10-BK
ACC-VW05-S	124-4919	124-4918	NECPX42P10-BK
ACC-VW06-B	124-1972	124-1971	NEC4620
ACC-VW06-S	124-4972	124-4971	NEC4620
ACC-VW07-B	124-1921	124-1920	NECLCD5220-AV
ACC-VW07-S	124-4921	124-4920	NECLCD5220-AV
ACC-VW08-B	124-1951	124-1950	SHARP TL-M5200
ACC-VW08-S	124-4951	124-4950	SHARP TL-M5200
ACC-VW09-B	124-1961	124-1960	SAMSUNG 400UX
ACC-VW09-S	124-4961	124-4960	SAMSUNG 400UX
ACC-VW10-B	124-1976	124-1975	* SHARP PN-G655U
ACC-VW10-S	124-4976	124-4975	* SHARP PN-G655U
ACC-VW11-B	124-1982	124-1981	SAMSUNG 460UX
ACC-VW11-S	124-4982	124-4981	SAMSUNG 460UX
ACC-VW12-B	125-1011	125-1010	LG-M4212C-BA
ACC-VW12-S	125-4011	125-4010	LG-M4212C-BA
ACC-VW13-B	125-1002	125-1001	NECX461UN, SAMSUNG 460UT
ACC-VW13-S	125-4002	125-4001	NECX461UN, SAMSUNG 460UT
ACC-VW14-B	125-1017	125-1016	* Sony GXDL52H1
ACC-VW14-S	125-4017	125-4016	* Sony GXDL52H1
ACC-VW16-B	125-1036	125-1035	SAMSUNG 400FX
ACC-VW16-S	125-4036	125-4035	SAMSUNG 400FX
ACC-VW17-B	125-1061	125-1060	LG-M4224C-BA
ACC-VW17-S	125-4061	125-4060	LG-M4224C-BA
ACC-VW18-B	125-1063	125-1062	Planar M40L
ACC-VW18-S	125-4063	125-4062	Planar M40L
ACC-VW19-B	125-1065	125-1064	Pana TH50PH11UK
ACC-VW19-S	125-4065	125-4064	Pana TH50PH11UK
ACC-VW20-B	125-1082	125-1081	SAMSUNG 460PXN
ACC-VW20-S	125-4082	125-4081	SAMSUNG 460PXN
ACC-VW21-B	125-1085	125-1084	Sony FWD S47H1
ACC-VW21-S	125-4085	125-4084	Sony FWD S47H1
ACC-VW22-B	125-1087	125-1086	* Pana TH-58PH10UKA
ACC-VW23-B	125-1124	125-1123	Sharp TH-58PH10UKA, TH-58PF12UK
ACC-VW24-B	125-1126	125-1125	Sharp LC-52LE700UN
ACC-VW25-B	125-1128	125-1127	Sharp LC-C6577UM
ACC-VW26-B	125-1186	125-1185	CISCO LCD-110-PRO-52S

***NOTE:** Screen is not compatible with **VWP-4050**