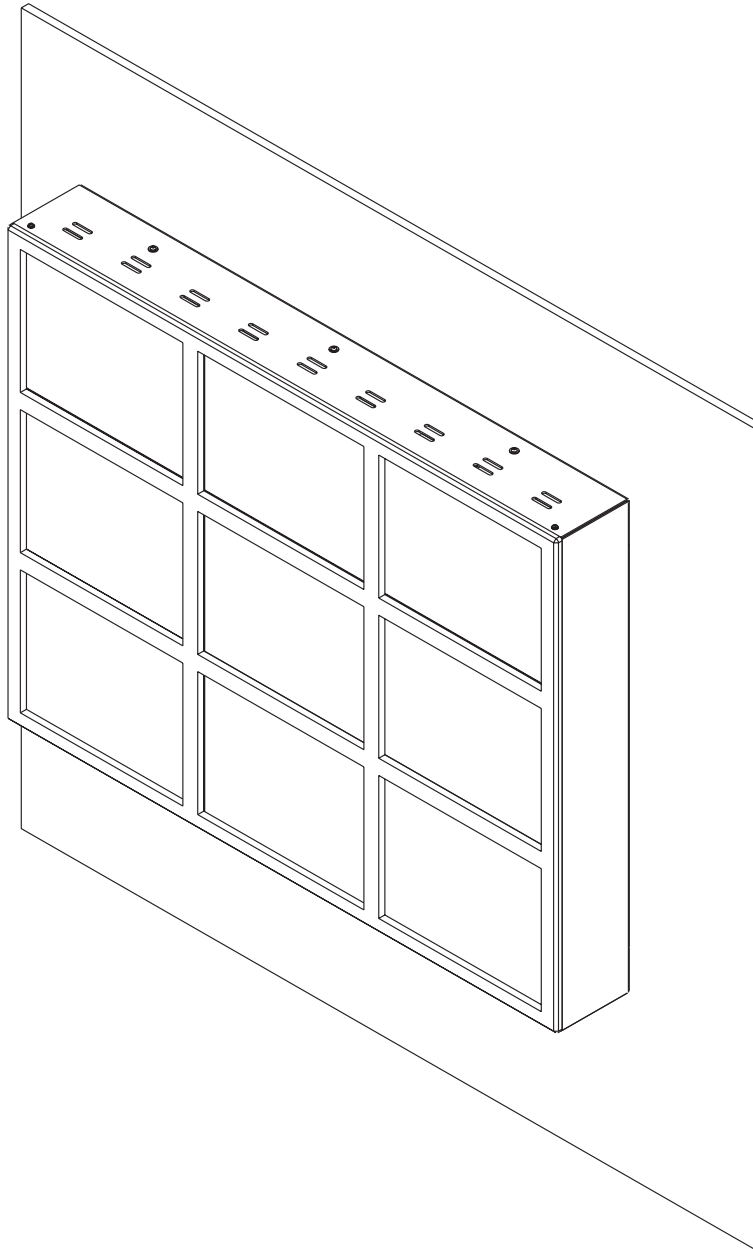




Installation and Assembly

3 x 3 Video Wall

Models: MIS363, MIS363-HB



Max Load Capacity: 300 lbs (136.0 kg)

Note: Read entire instruction sheet before you start installation and assembly.

WARNING

- Do not begin to install your Peerless product until you have read and understood the instructions and warnings contained in this Installation Sheet. If you have any questions regarding any of the instructions or warnings, please call Peerless customer care at 1-800-865-2112.
- This product should only be installed by a qualified professional.
- Make sure that the supporting surface will safely support the combined load of the equipment and all attached hardware and components.
- Never exceed the Maximum Load Capacity of 300 lbs (136.0 kg).
- Always use an assistant or mechanical lifting equipment to safely lift and position equipment.
- Tighten screws firmly, but do not overtighten. Overtightening can damage the items, greatly reducing their holding power.
- This product was designed and intended to be mounted to the following supporting surfaces checked below with the hardware included in this product as specified in the installation sheet. To mount this product to an alternative supporting surface, contact Peerless customer care at 1 800 865-2112.
- This product was designed to be installed on the following wall construction only;

WALL CONSTRUCTION

- Wood Stud
- Wood Beam
- Solid Concrete
- Cinder Block
- Metal Stud
- Brick
- Other or unsure?

ADDITIONAL HARDWARE REQUIRED

- Contact Customer Service
- Contact Customer Service
- Contact Customer Service
- Contact Customer Service
- Contact Customer Service
- Contact Customer Service
- Contact Customer Service

Table of Contents

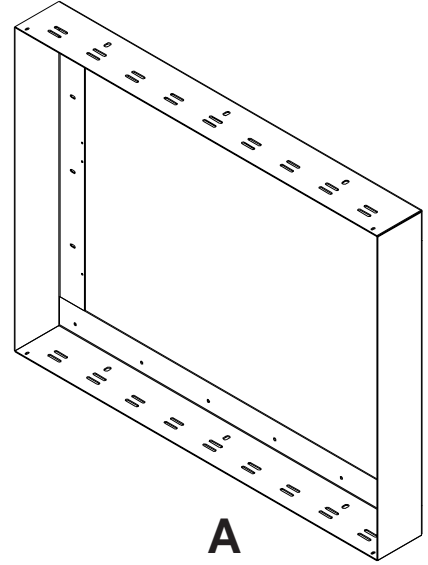
Parts List	3
Attaching CPU Bracket and Lace Bar	4
Mounting to Wall Surface	5
Installing Screens	6
Installing Frames	7

For customer service call (800) 865-2112 or (708) 865-8870.

IMPORTANT! Read entire instruction sheet before you start installation and assembly.

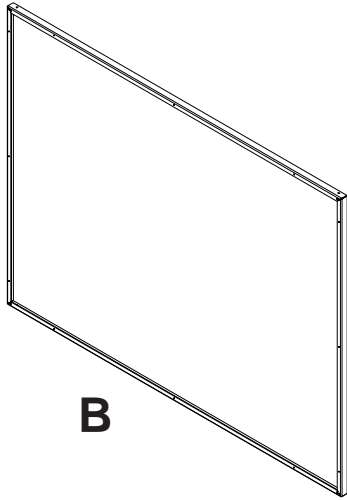
Parts List

Description	Qty.	MIS363 Part #	MIS363-HB Part #
A wall frame	1	201-1323	201-BRN5323
B bezel frame	1	201-1340	201-1340
C vertical rack	3	201-1345	201-1345
D CPU bracket	1	201-1354	201-1354
E lace bar	1	201-1355	201-1355
F M10 flat washer	6	540-9407	540-9407
G M10 x 30 mm socket screw	6	520-1339	520-1339
H M5 x 12 mm phillips screw	12	520-1027	520-1027
I #10 flat washer	4	540-9400	540-9400
J M3 x 16 mm phillips screw	36	520-1188	520-1188
K #4 flat washer	36	540-1049	540-1049
L 1/4" split washer	2	540-9402	540-9402
M 1/4" flat washer	6	540-9440	540-9440
N M5 x 16 mm screw	2	520-9515	520-9515
O 1/4-20 X 3/8" phillips screw	6	510-9107	510-9107

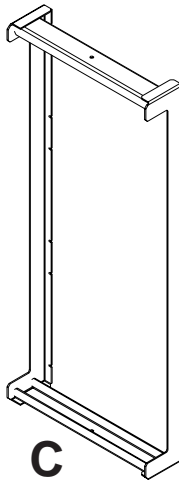


A

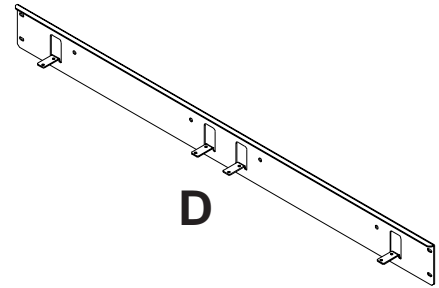
Note: Some parts may appear slightly different than illustrated.



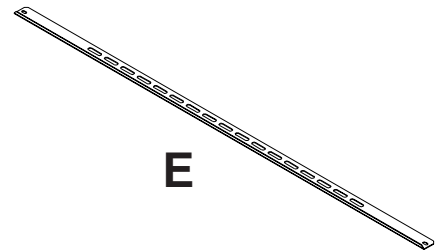
B



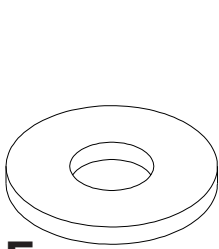
C



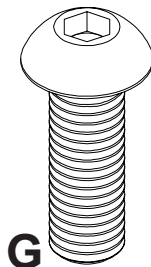
D



E



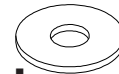
F



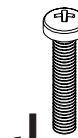
G



H



I



J



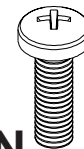
K



L



M



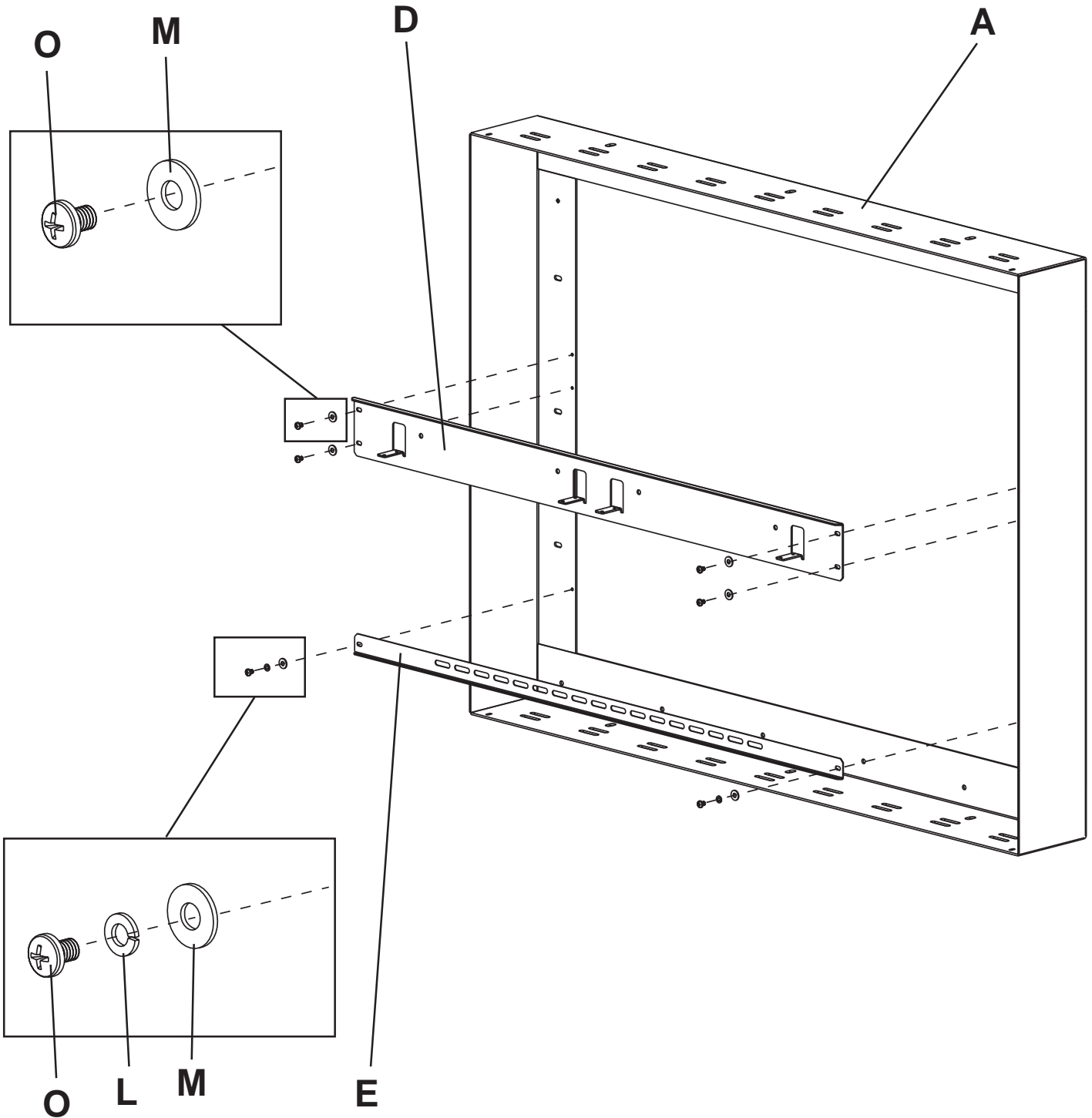
N



O

Before you start make sure all parts listed are included with your product.

- 1** Attach CPU bracket (**D**) to wall frame (**A**) using four 1/4-20 x 3/8" screws (**O**) and four 1/4" flat washers (**M**).
Attach lace bar (**E**) to wall frame using two 1/4-20 x 3/8" screws (**O**), two split washers (**L**) and two 1/4" flat washers (**M**).



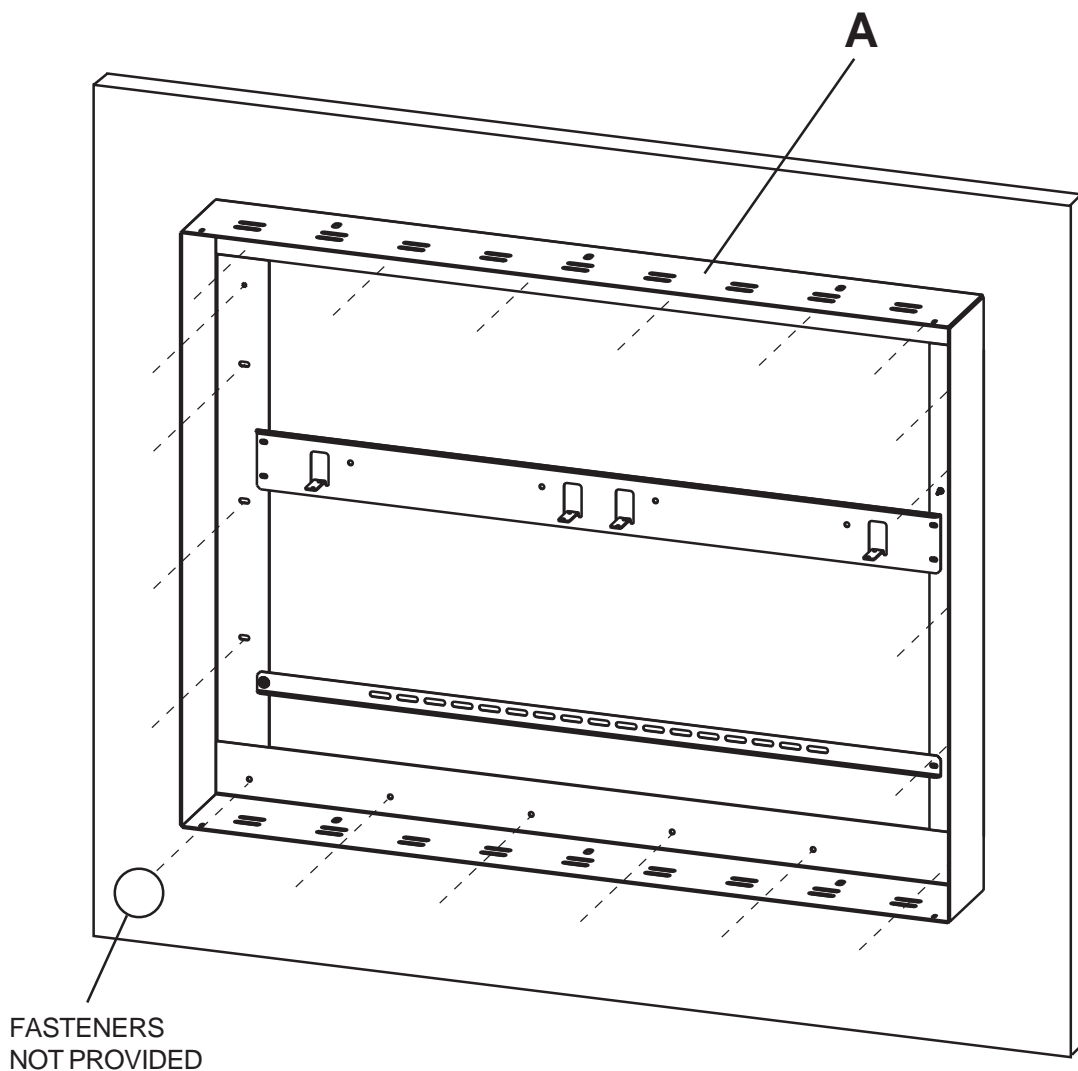
⚠ WARNING

- Installer must verify that the supporting surface will safely support the combined load of the equipment and all attached hardware and components.
- Installers are responsible to provide hardware for mounting surfaces.

2 Place wall plate (A) on wall as a template. Level plate, and mark the center of all the mounting holes on the wall plate (A). Make sure that the wall plate is level, secure it using fasteners in all mounting holes as shown below.

NOTE: Fasteners not provided for mounting to wall surface.

NOTE: Fasteners must be used in all mounting holes of wall frame.



⚠ WARNING

- If screws don't get three complete turns in the screen inserts or if screws bottom out and bracket is still not tightly secured, damage may occur to screen or product may fail.

3 Attach three screens to one vertical rack (C) using twelve M3 x 16 mm phillips screws (J) and twelve #10 flat washers (K) as shown in figure 3.1. Repeat for remaining screens and vertical rails (C).

NOTE: Diamond holes on vertical frames (C) indicate top side.

Attach CPU hardware to CPU bracket (D) using eight M5 x 12 mm phillips screws (H) as shown in figure 3.2.

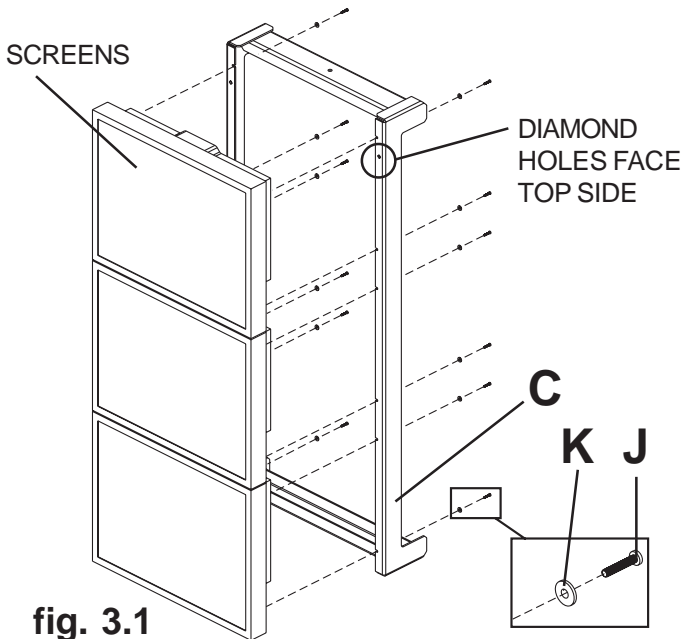


fig. 3.1

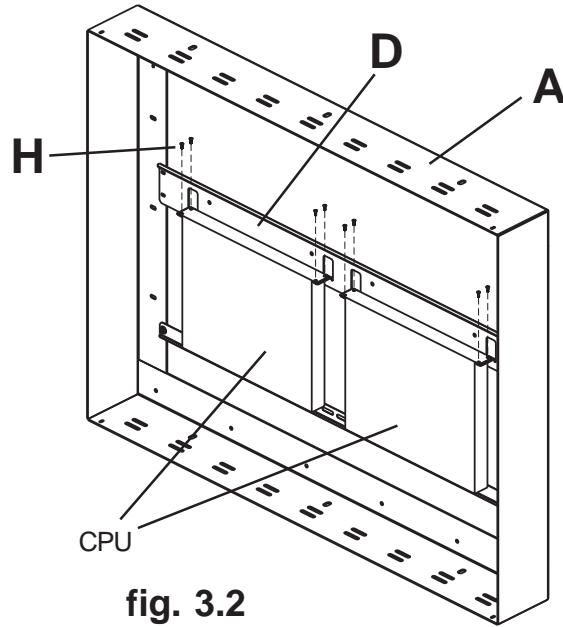


fig. 3.2

4 Insert vertical frames (C) into wall frame (A) as shown in figure 4.1. Secure vertical frames (C) to wall frame (A) using six M10 x 30 mm (G) screws and six M10 flat washers (F) as shown in figure 4.2.

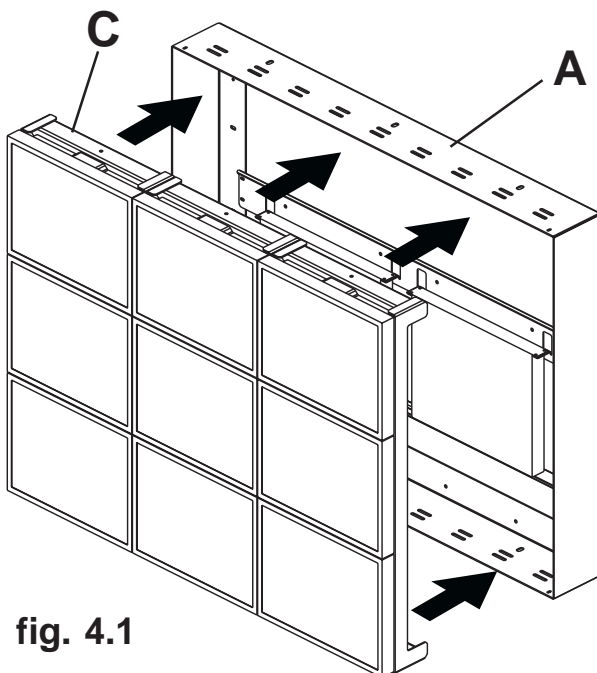


fig. 4.1

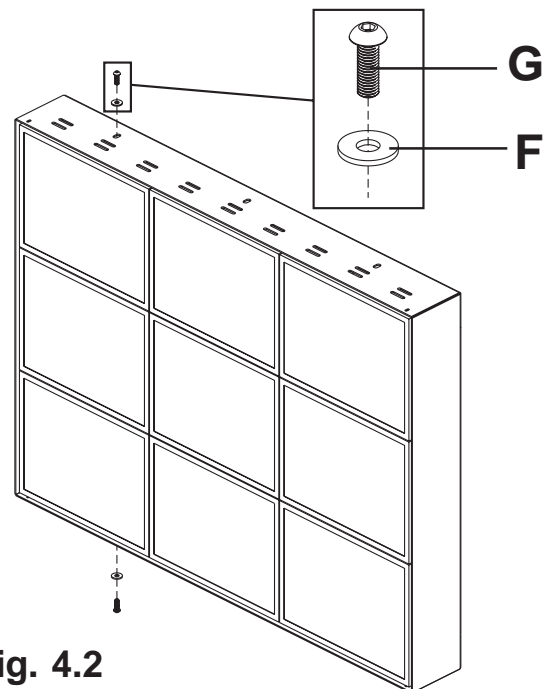
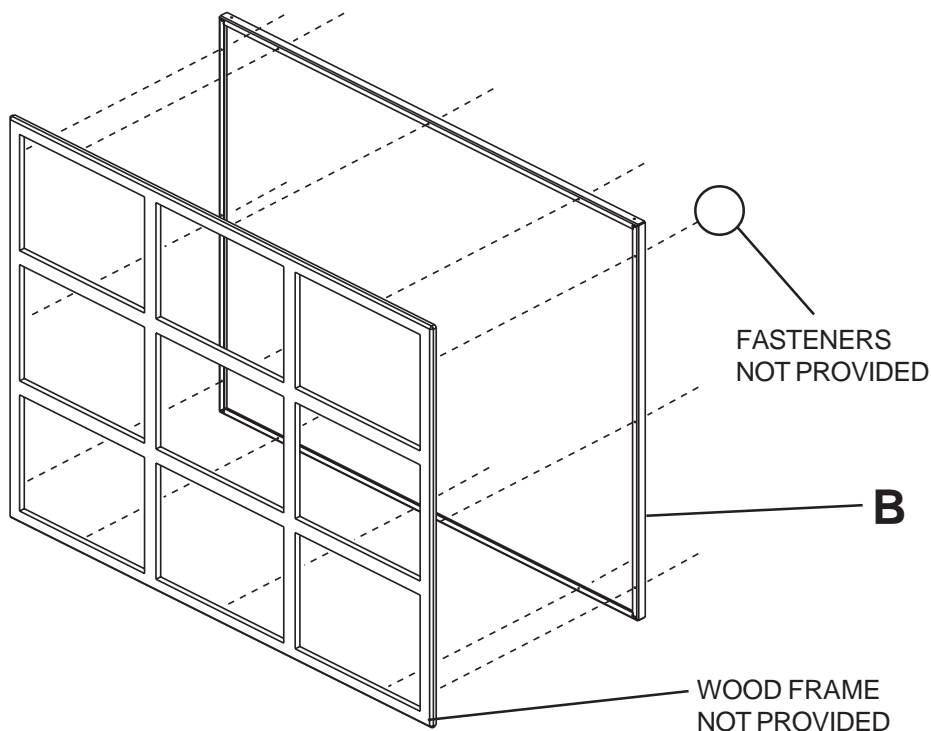


fig. 4.2

5 Attach wooden frame (not provided) to bezel frame (B) using twelve wood screws (not provided).



6 Insert bezel frame (B) into wall frame (A) and secure using four M5 x 12 mm phillips screws (H) and four #10 flat washers (I).

NOTE: If M5 x 12 mm phillips screws are not long enough, two M5 x 16 mm phillips screws (N) with two #10 flat washers (I) may be used to fasten through top of wall frame (A).

