

# Installation and Assembly - Speaker Truss Mount

Model: MIS 419

**IMPORTANT!** Read instruction sheet before you start installation and assembly.  
Before you start make sure all parts listed are included with your product.

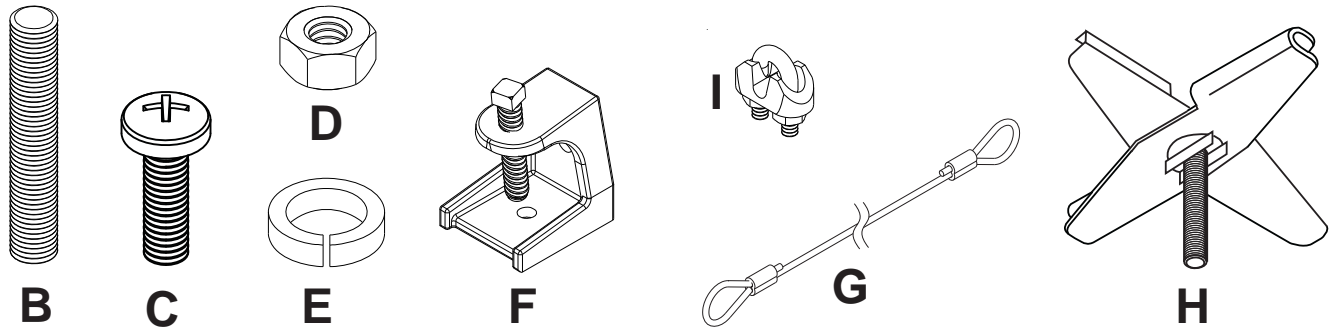
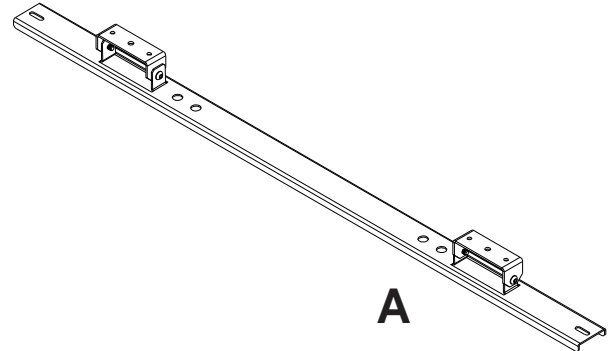


This product is UL Listed. It must be installed by a qualified professional installer.

**Max UL Load Capacity 25lb (11.3kg)**

## Parts List

Description	Qty.	Part #
A bracket assembly	1	130-0267
B 1/4-20 x 1.5" threaded rod	2	520-2250
C M6 x 20 mm phillips pan screw	2	520-2040
D 1/4-20 hex nut	6	530-2004
E split washer	6	540-9447
F I-beam/truss clamp with 1/4-20" tap	2	560-0188
G cable assembly	1	600-0053
H scissor clips	2	4004-200
I rope clip	2	560-0104



Some parts may appear slightly different than illustrated.

**1** Feed safety cable (G) through holes in bracket assembly (A) and through itself as shown in figure 1.1.

**Note:** If installing to ceiling rails with scissor clips, 1/8" aircraft wire (not supplied) will be required to attach to ceiling structure. Feed wire through holes in bracket assembly (A) as shown in figure 1.2. Attach aircraft wire to itself using u-bolt of rope clip (I) to fasten the wire as shown in figure 1.3.

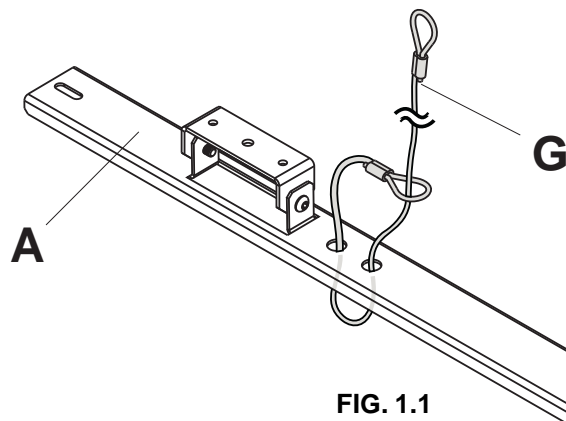


FIG. 1.1

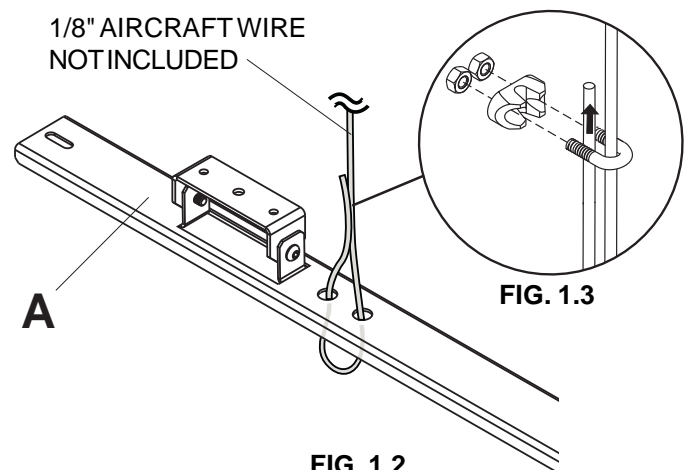
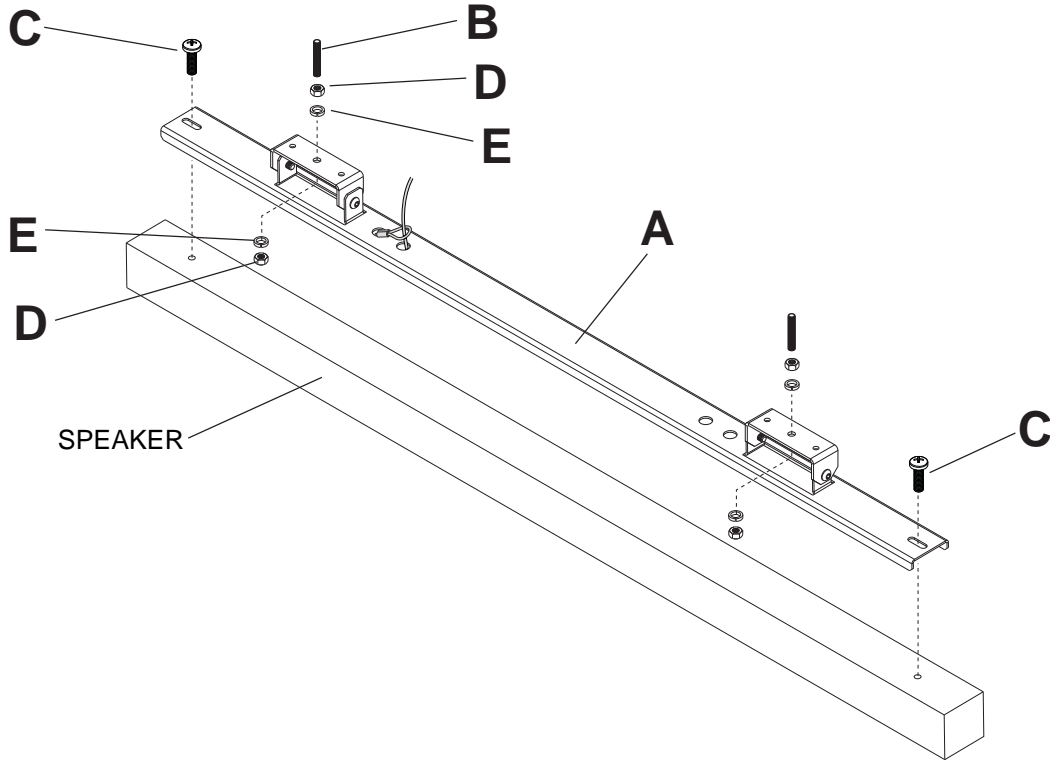
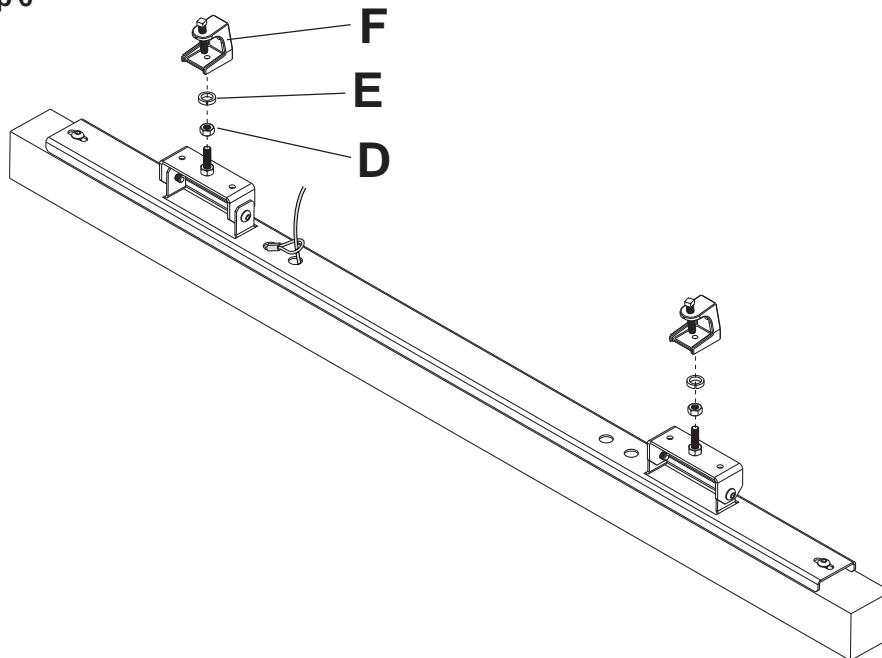


FIG. 1.2

- 2** For attaching to ceiling with scissor clips (**H**), skip to step 4.  
Attach two threaded rods (**B**) to bracket assembly (**A**) using four split washers (**E**) and four hex nuts (**D**). Attach speaker to bracket assembly using two M6 x 20 mm phillips pan screws (**C**).



- 3** Attach two truss clamps (**F**) to the threaded rods (**B**) using two split washers (**E**) and two hex nuts (**D**).  
Skip to step 6



4 Remove washer from scissor clips (H) as shown in figure 4.1.

Attach two scissor clips (H) to bracket assembly (A) using six split washers (E) and six hex nuts (D) as shown in figure 4.2. Do not fully tighten hex nut against scissor clip to allow scissor clip to close as shown in figure 4.3.

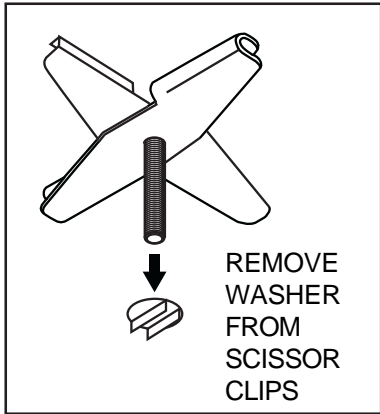


FIG. 4.1

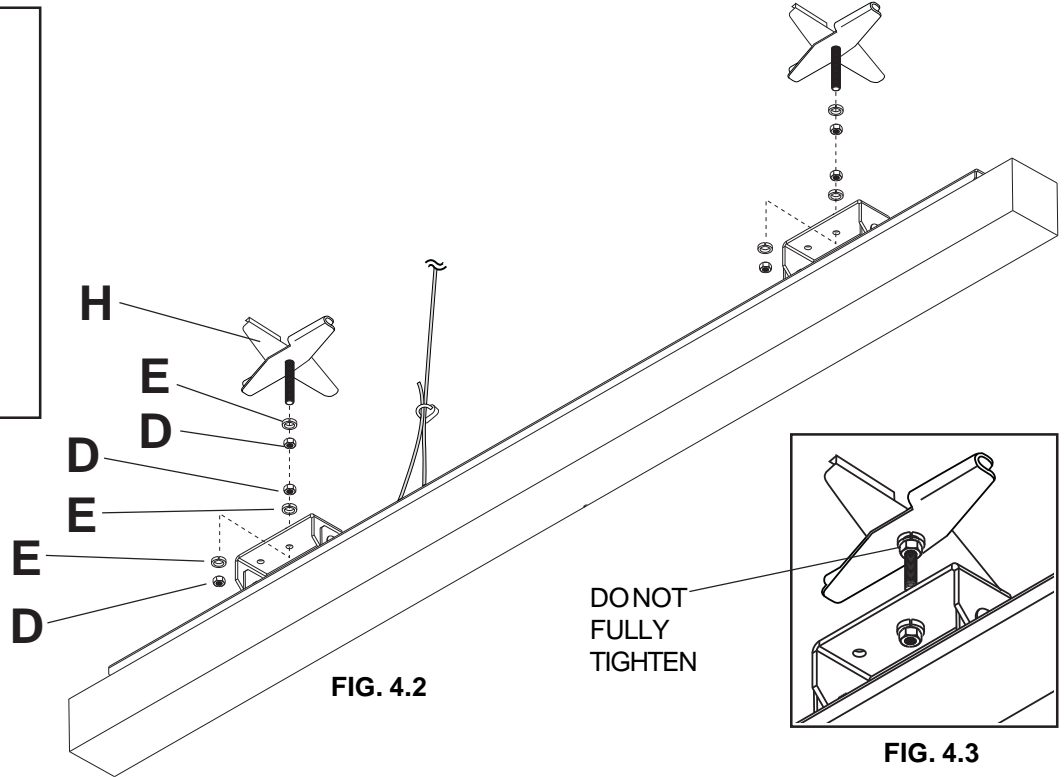


FIG. 4.2

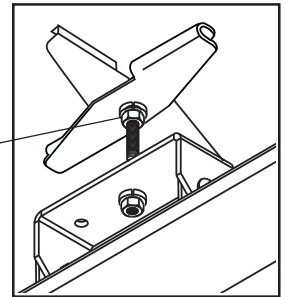


FIG. 4.3

5 Open scissor clips (H) and attach to T-bar grid by closing the clip. Fully tighten hex nut against scissor clips after closed on T-bar as shown in figure 5.1. Wrap aircraft wire around ceiling structure above T-bar. Attach aircraft wire to itself using u-bolt of rope clip (I) to fasten the aircraft wire as shown in figure 5.2. Trim any excess wire.

Skip to step 8

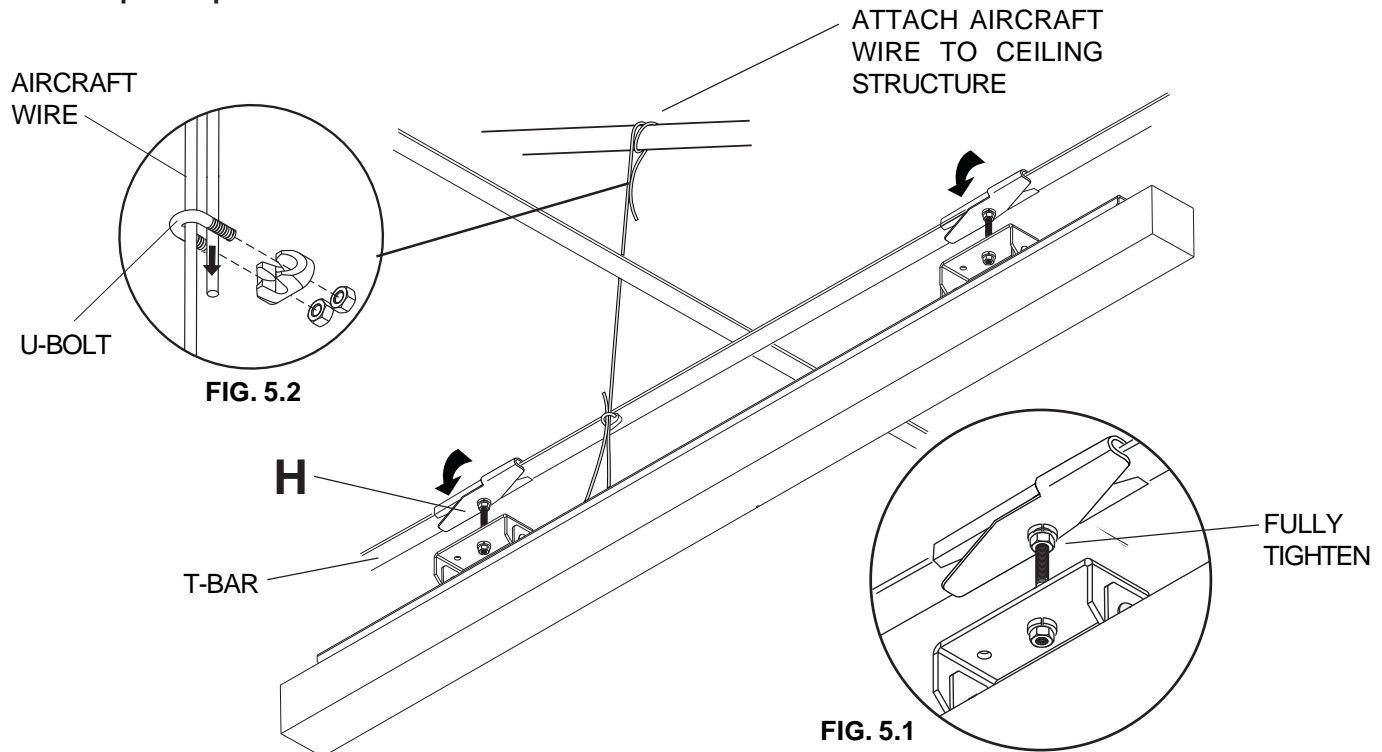
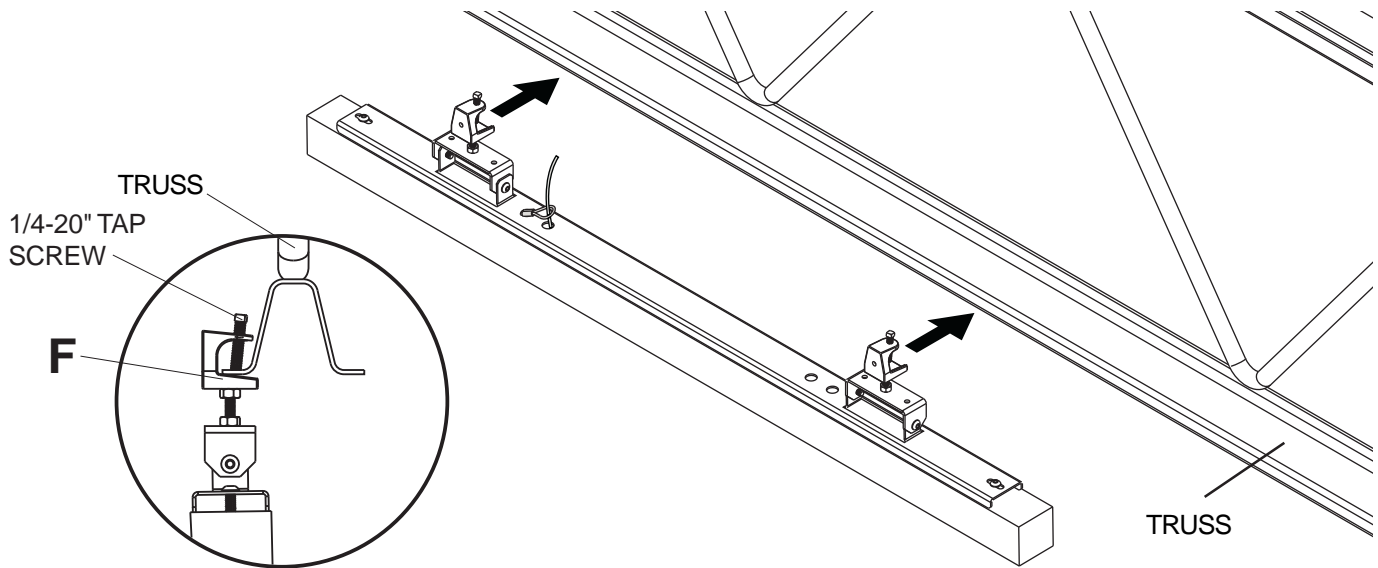


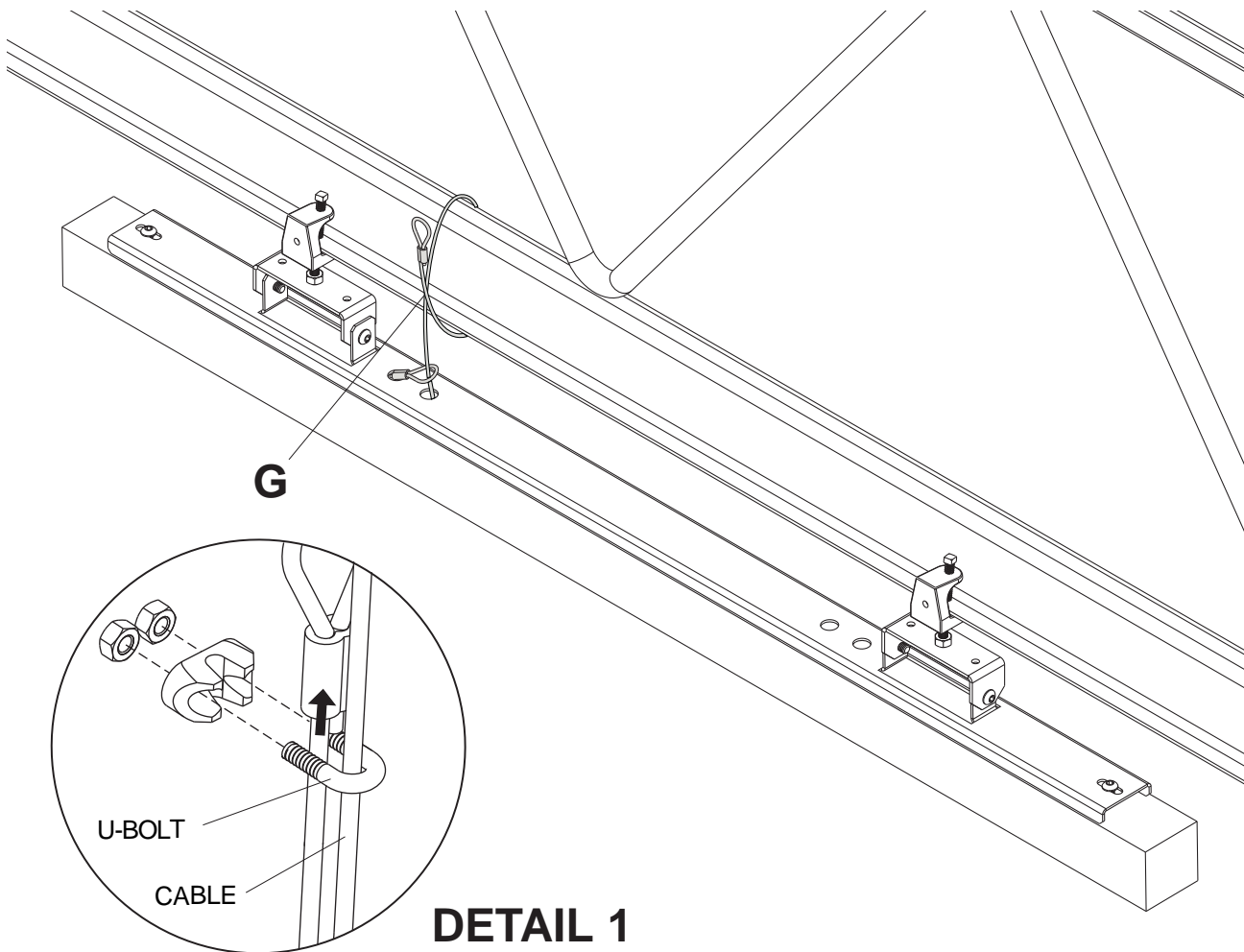
FIG. 5.2

FIG. 5.1

- 6** Place I-beam/truss clamps (**F**) onto truss as shown below. Tighten the 1/4-20" tap screw in the I-beam/truss clamp (**F**) till secure.



- 7** Wrap safety cable (**G**) around truss. Attach safety cable (**G**) to itself using u-bolt to fasten the looped end to the cable as shown in detail 1. Trim any excess cable.



8

Rotate speakers to desired position and tighten four screws using a 5/32" allen wrench (not provided) to hold speaker in place.

